



## ***2010 PARTS LIST***



## INDEX

### Snare Stand

New 9606 .....	Page 1
9606.....	Page 2
9606BA .....	Page 3
9606NL .....	Page 4
JZ106.....	Page 5
8606.....	Page 6
7706.....	Page 7
7706EX (New).....	Page 8
7606EX (2002-2008) .....	Page 9
6606.....	Page 10
5606.....	Page 11
5606EX .....	Page 12

### Hi Hat Stand

9607ML (DP+LD).....	Page 13
9607ML-UA .....	Page 14
9607DL .....	Page 15
9607NL (DP+LD) .....	Page 16
9607NL-UA .....	Page 17
JZ107.....	Page 18
8607.....	Page 19
7707.....	Page 20
6607.....	Page 21
5607.....	Page 22

### Cymbal Stand

9609.....	Page 23
9610.....	Page 24
JZ109.....	Page 25
JZ110.....	Page 26
8609.....	Page 27
8610.....	Page 28
7709.....	Page 29
7710.....	Page 30
6609.....	Page 31
6610.....	Page 32
5609.....	Page 33
5610.....	Page 34

### Specialty Stand

9813DP .....	Page 35
9613PM .....	Page 36
7614.....	Page 37
GEMS.....	Page 38
GPRWS.....	Page 39
9516.....	Page 40
9517 .....	Page 41
GDS.....	Page 42
GPDS .....	Page 43
GCS-M, GCS-L.....	Page 44
GCS-LSP.....	Page 45
GPRGS-L.....	Page 46



## INDEX continued

### Throne

9608.....	Page 47
6608.....	Page 48
5608.....	Page 49
3308VA.....	Page 50

### Pedal

New 9611.....	Page 51
9611.....	Page 52
New 9611DB.....	Page 53
9611 DB.....	Page 54
Catapult.....	Page 55
6611.....	Page 56
6611DB.....	Page 57
5611.....	Page 58
5611DB.....	Page 59
3311S.....	Page 60
3311SDB.....	Page 61

### Rack

GSVMS.....	Page 62
GP08.....	Page 63

### Rack Parts

GRS & GPR.....	Page 64
----------------	---------

### Others

SC-BDCM.....	Page 65
GBSA.....	Page 66
7615.....	Page 67
7616.....	Page 68

**INSTRUCTIONS**



**NEW**  
**9606 Snare Drum Stand**



**Model**  
9606 Snare Drum Stand

**Parts Listing**

- 1 GP-6258 Ultra Adjust Snare Basket w/ Tube
- 2 GP-6015 Ultra Adjust Threaded T- Bolt
- 3 GP-5117 Bolt and Wing Nut Set
- 4 GP-6016 Snare Stand Base
- 5 SC-0009 8mm Wing Bolt
- 6 GP-6012 Stabilizer Super Foot
- 7 GP-2002 1" Nylon Inner Sleeve (not shown)
- 8 GP-6257 Round Metal Tension Knob
- 9 GP-0072 Rubber Sleeve



## 9606 Snare Drum Stand

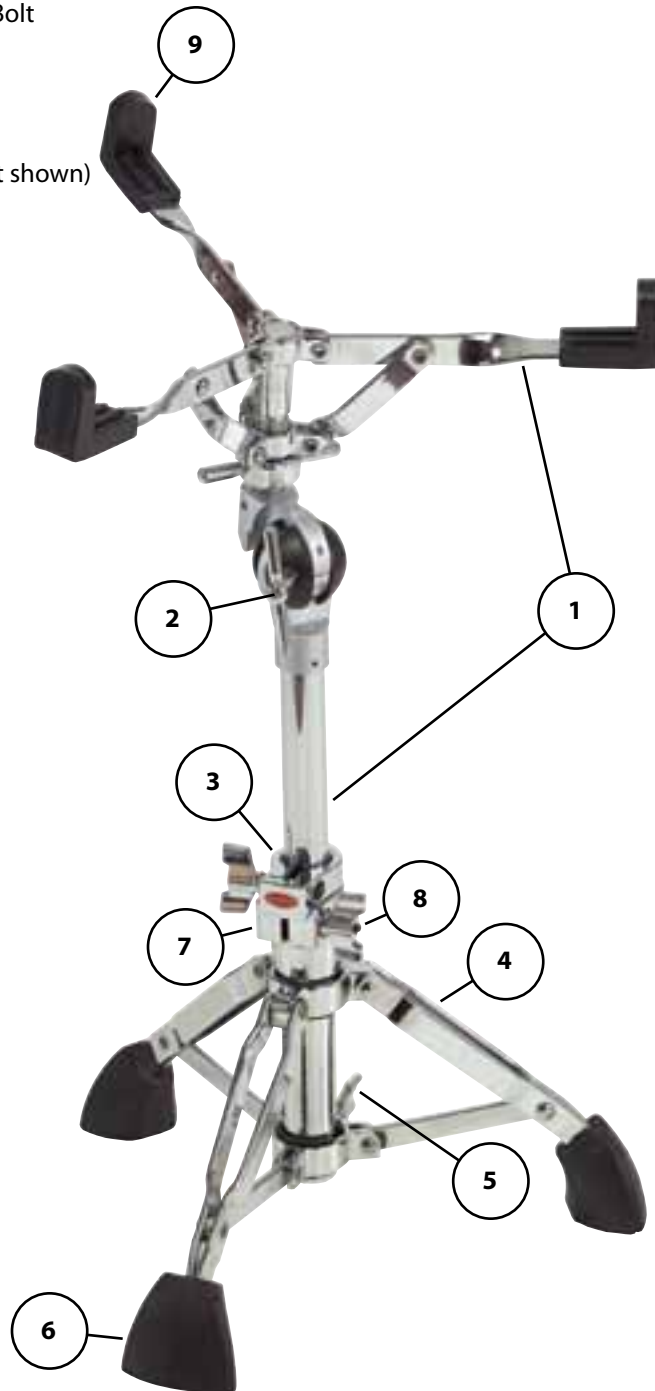


### Model

9606 Snare Drum Stand

### Parts Listing

- 1 GP-6014 Ultra Adjust Snare Basket w/ Tube
- 2 GP-6015 Ultra Adjust Threaded T- Bolt
- 3 GP-6164 1" Fitted Memory Lock
- 4 GP-6016 Snare Stand Base
- 5 SC-0009 8mm Wing Bolt
- 6 GP-6012 Stabilizer Super Foot
- 7 GP-2002 1" Nylon Inner Sleeve (not shown)
- 8 GP-5117 Bolt and Wing Nut Set
- 9 GP-0072 Rubber Sleeve



## 9606BA Snare Drum Stand

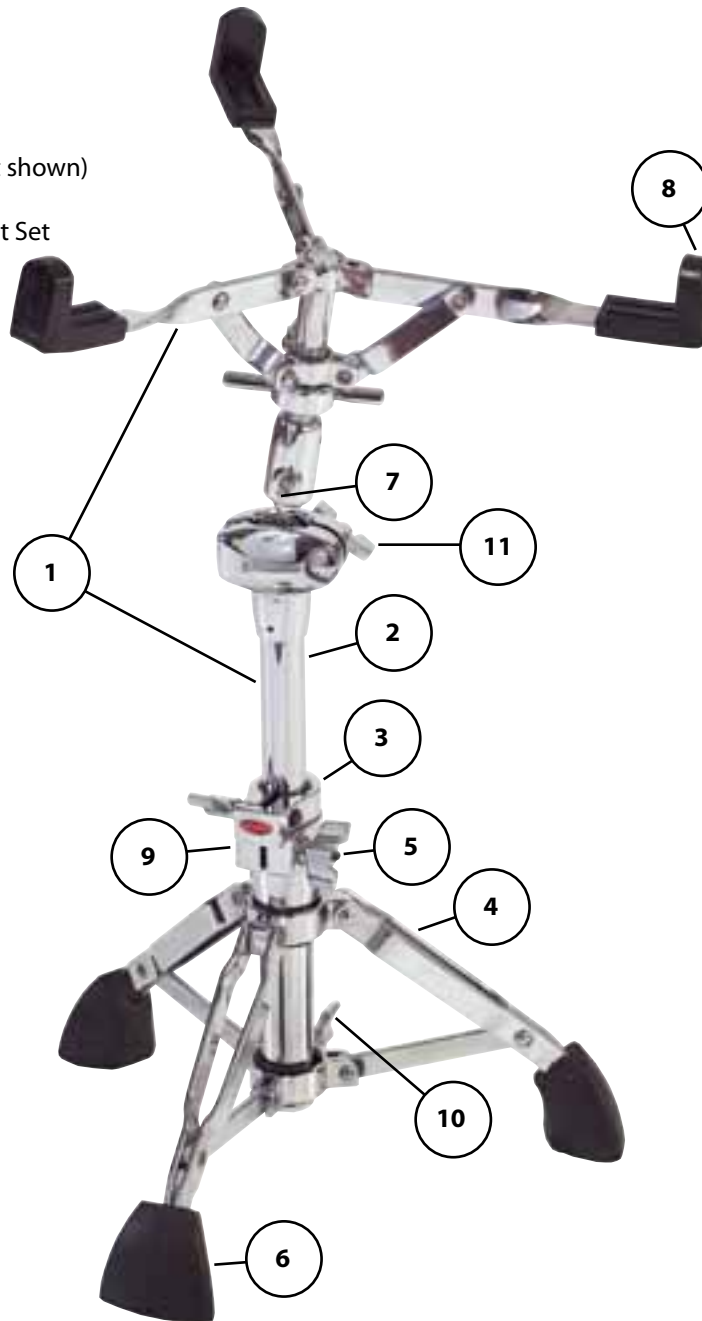


### Model

9606BA Snare Drum Stand

### Parts Listing

- 1 GP-6019 Snare Basket w/ Tube
- 2 GP-6020 Upper Tube
- 3 GP-6164 1" Fitted Memory Lock
- 4 GP-6016 Snare Stand Base
- 5 GP-5117 6mm Wing Bolt
- 6 GP-6012 Stabilizer Super Foot
- 7 GP-0121 8mm Key Screw
- 8 GP-0072 Rubber Sleeve
- 9 GP-2002 1" Nylon Inner Sleeve (not shown)
- 10 SC-0009 8mm Wing Bolt
- 11 GP-6018 Bolt, Washer and Wing-nut Set



## 9606NL Snare Drum Stand

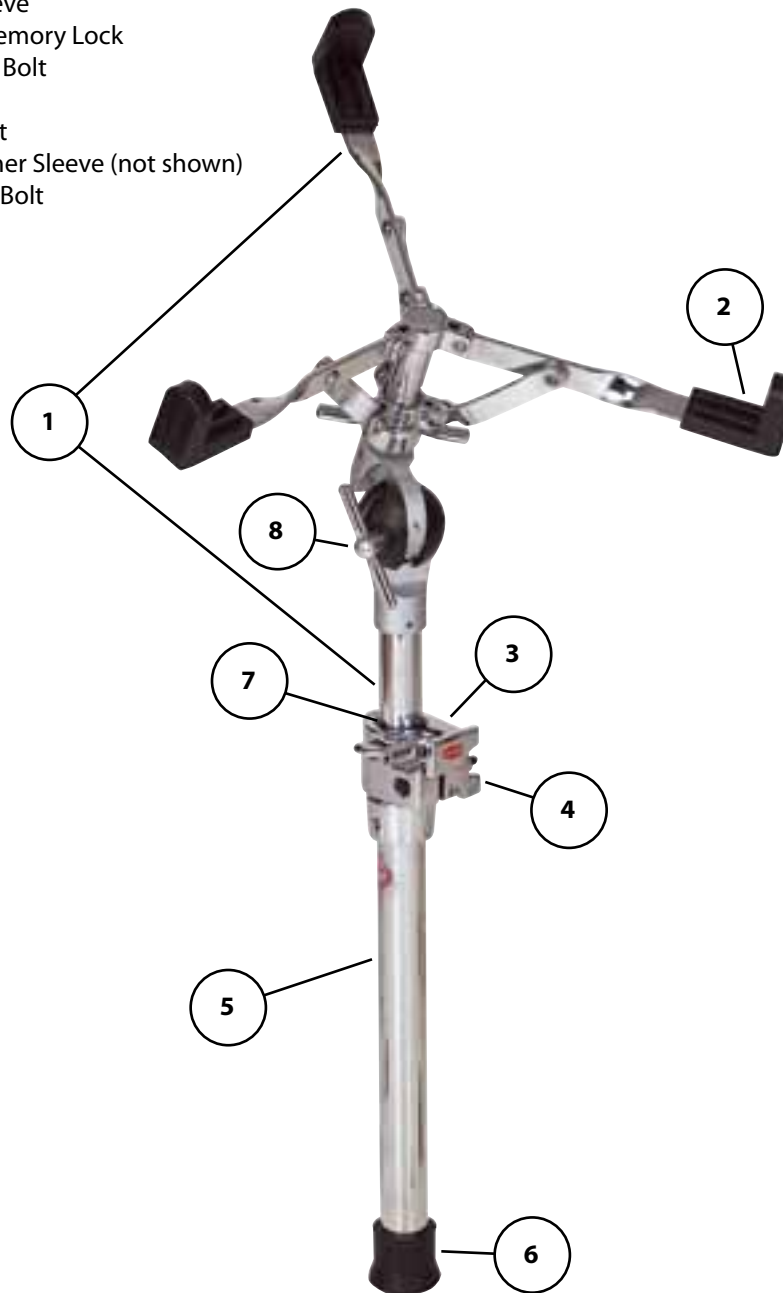


### Model

9606NL Snare Drum Stand

### Parts Listing

- 1 GP- 6014 Ultra Adjust Snare Basket w/ Tube
- 2 GP-0072 Rubber Sleeve
- 3 GP- 6164 1" Fitted Memory Lock
- 4 GP- 5117 6mm Wing Bolt
- 5 GP-5246 Base Tube
- 6 GP-5247 Rubber Foot
- 7 GP-2002 1" Nylon Inner Sleeve (not shown)
- 8 GP-6015 Threaded T-Bolt





## JZ106 Snare Drum Stand



### Model

JZ106 Snare Drum Stand

### Parts Listing

- 1 GP-6263 Snare Basket
- 2 GP-6052 Wing Nut/Bolt Assembly 8mm
- 3 GP-6220 Upper Snare Stand Tube 3/4"
- 4 GP-2005 Nylon Inner Sleeve 3/4" (not shown)
- 5 GP-6030 Wing/Short Bolt Set 6mm
- 6 GP-6205 Lower Tripod Base Assembly
- 7 SC-0009 8mm Wing Bolt
- 8 GP-4045 Rubber Foot
- 9 GP-6240 Round Tension Knob
- 10 GP-6203 Rubber Sleeve



## 8606 Snare Drum Stand



### Model

8606 Snare Drum Stand

### Parts Listing

- 1 GP-6219 Snare Basket
- 2 GP-6052 Wing Nut/Bolt Assembly 8mm
- 3 GP-6082 Upper Snare Stand Tube 5/8"
- 4 GP-5116 Nylon Inner Sleeve 5/8" (not shown)
- 5 GP-6230 Wing/Short Bolt Set 6mm
- 6 GP-6083 Lower Flat Base Assembly
- 7 GP-0121 8mm Key Screw
- 8 SC-0009 8mm Wing Bolt
- 9 GP-6024 Flat Base Rubber Foot
- 10 GP-6200 Nylon Wing Nut
- 11 GP-6203 Rubber Sleeve



## 7706 Snare Drum Stand

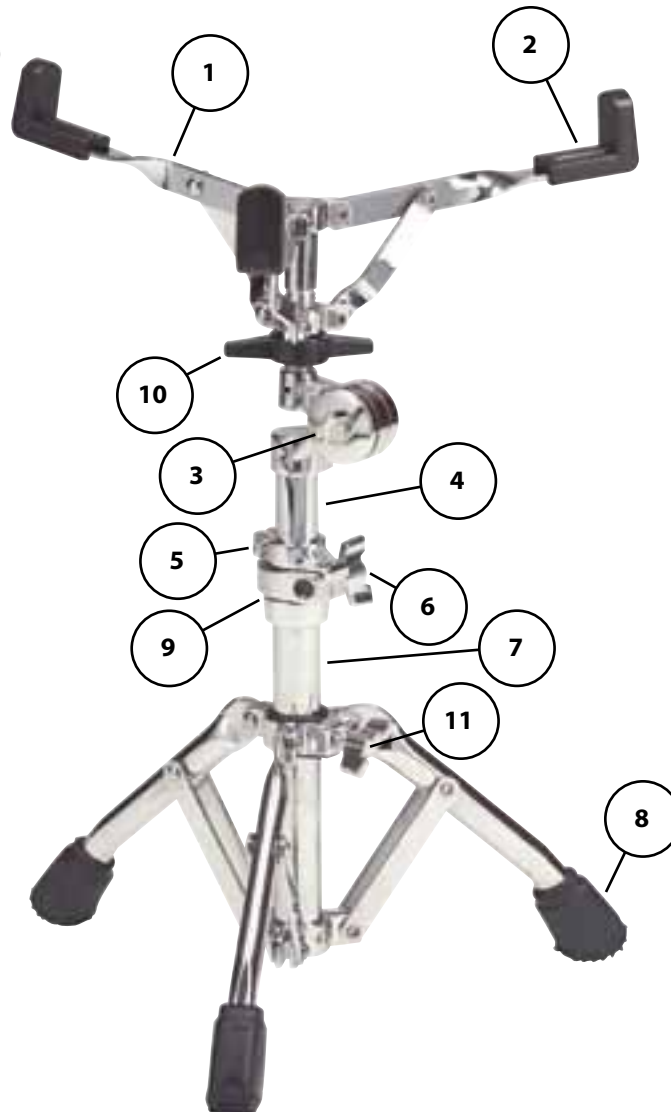


### Model

7706 Snare Drum Stand

### Parts Listing

- 1 GP-6212 Snare Basket
- 2 GP-0072 Rubber Sleeve
- 3 GP-6052 Wing Nut/Bolt Assembly 8mm
- 4 GP-6211 1" Upper Height Adjust Tube
- 5 GP-6217 1" Memory Lock
- 6 GP-6276 Wing/Short Bolt Set 6mm
- 7 GP-6213 Lower Base Assembly Complete
- 8 SC-PC10 Rubber Foot
- 9 GP-6214 1" Inner Bushing (not shown)
- 10 GP-6201 Nylon Wing Nut
- 11 SC-0009 8mm Wing Bolt





**NEW**  
**7706EX Extended Height**  
**Snare Drum Stand**

**Model**

7706EX Extended Snare Drum Stand

**Parts Listing**

- 1 GP-0072 Rubber Sleeve
- 2 GP-6257 Nylon Wing Nut
- 3 GP-6015 Ultra Adjust threaded T-Bolt
- 4 GP-6259 Upper Snare Tube
- 5 GP-6049 1" fitted memory lock
- 6 GP-6215 1" Nylon Inner Sleeve (not shown)
- 7 GP-6276 Wing Nut/Bolt Set 6mm
- 8 GP-6277 Lower Base Assembly
- 9 SC-0009 Wing Bolt 8mm
- 10 SC-PC08 Rubber Foot





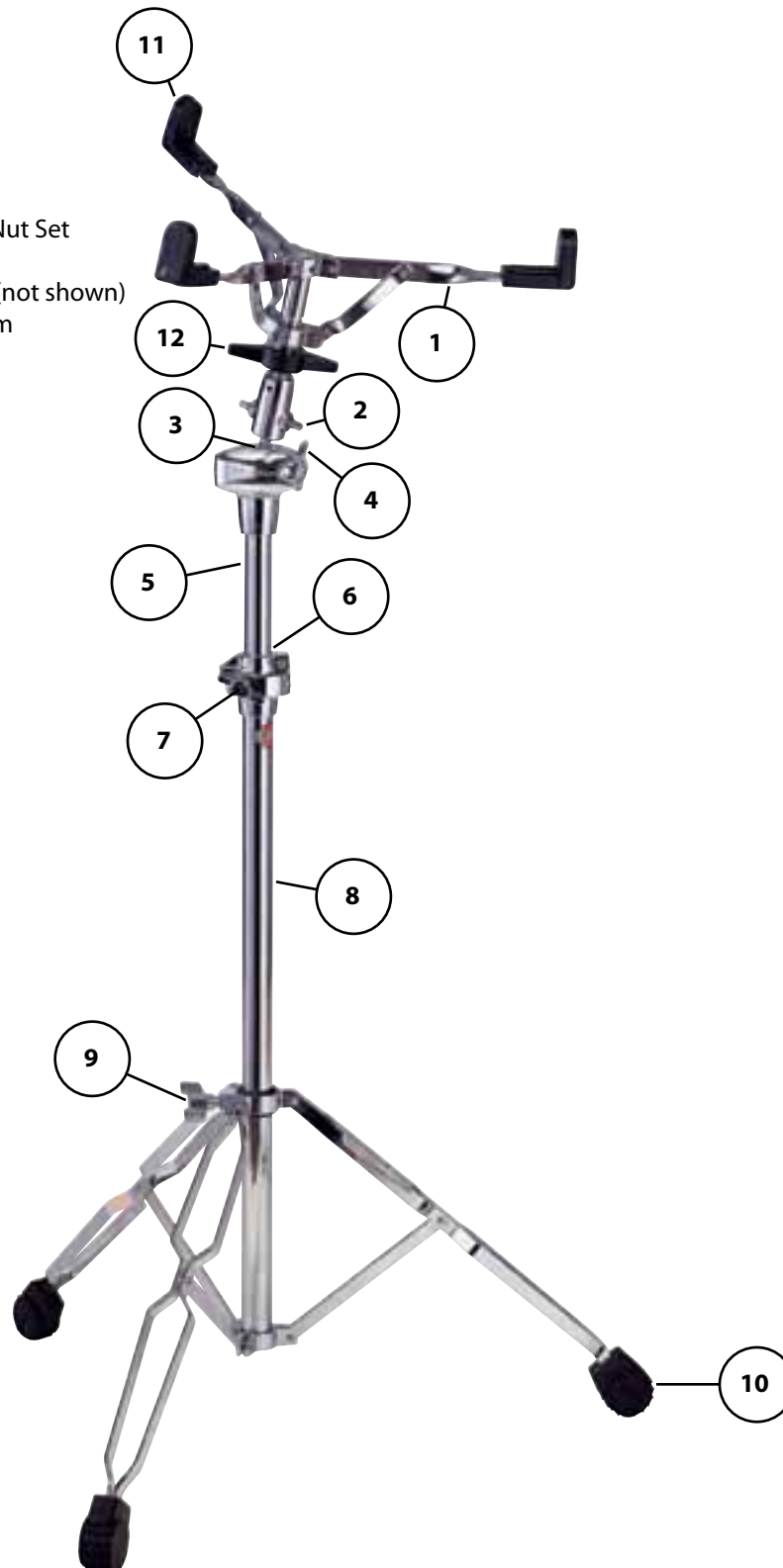
## 7606EX Extended Height Snare Drum Stand (2002-2008)

### Model

7606EX Extended Snare Drum Stand

### Parts Listing

- 1 GP-6017 Pivot Style Snare Basket
- 2 GP-0121 8mm Key Screw
- 3 GP-6097 Snare Basket Pivot Ball
- 4 GP-6018 Bolt, Washer, and Wing Nut Set
- 5 GP-6098 Upper Tube for 7606EX
- 6 GP-6215 7/8" Nylon Inner Sleeve (not shown)
- 7 GP-6276 Wing/Short Bolt Set 6mm
- 8 GP-6061 Lower Stand Base
- 9 SC-0009 Wing Bolt 8mm
- 10 GP-6241 Rubber Foot
- 11 GP-6203 Rubber Sleeve
- 12 GP-6201 Nylon Wing nut



## 6606 Snare Drum Stand

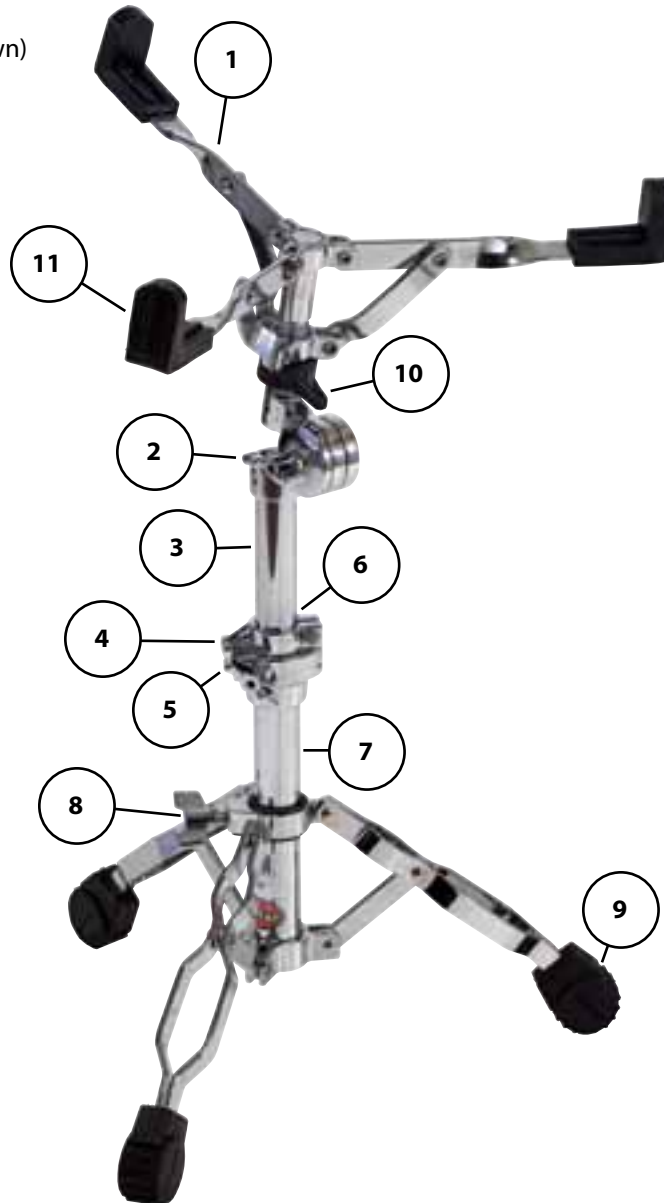


### Model

6606 Snare Drum Stand

### Parts Listing

- 1 GP-6071 Snare Basket
- 2 GP-6279 Wing Nut/Bolt Assembly 8mm
- 3 GP-6072 1" Upper Height Adjust Tube
- 4 GP-6217 1" Fitted Memory Lock
- 5 GP-6276 Wing/Short Bolt Set 6mm
- 6 GP-6214 1" Nylon Inner Sleeve (not shown)
- 7 GP-6073 Lower Base Assembly
- 8 SC-0009 8mm Wing Bolt
- 9 SC-PC10 Rubber Foot
- 10 GP-6200 Nylon Wing Nut
- 11 GP-0072 Rubber Sleeve



## 5606 Snare Drum Stand

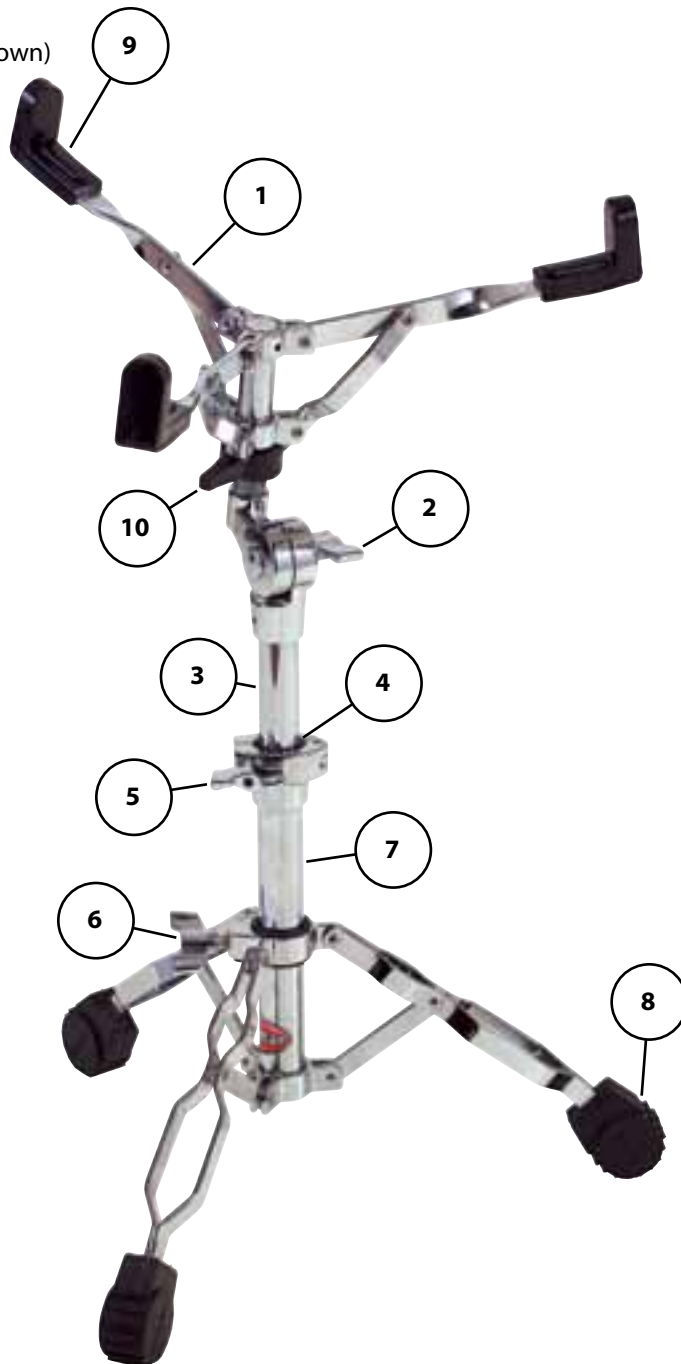


### Model

5606 Snare Drum Stand

### Parts Listing

- 1 GP-6218 Snare Basket
- 2 GP-6052 Wing Nut/Bolt Assembly 8mm
- 3 GP-6053 Upper Height Adjust Tube
- 4 GP-6215 Nylon Inner Sleeve 7/8" (not shown)
- 5 GP-6276 Wing/Short Bolt Set 6mm
- 6 SC-0009 8mm Wing Bolt
- 7 GP-6054 Lower Base Assembly
- 8 GP-6241 Rubber Foot
- 9 GP-6203 Rubber Sleeve
- 10 GP-6200 Nylon Wing Nut





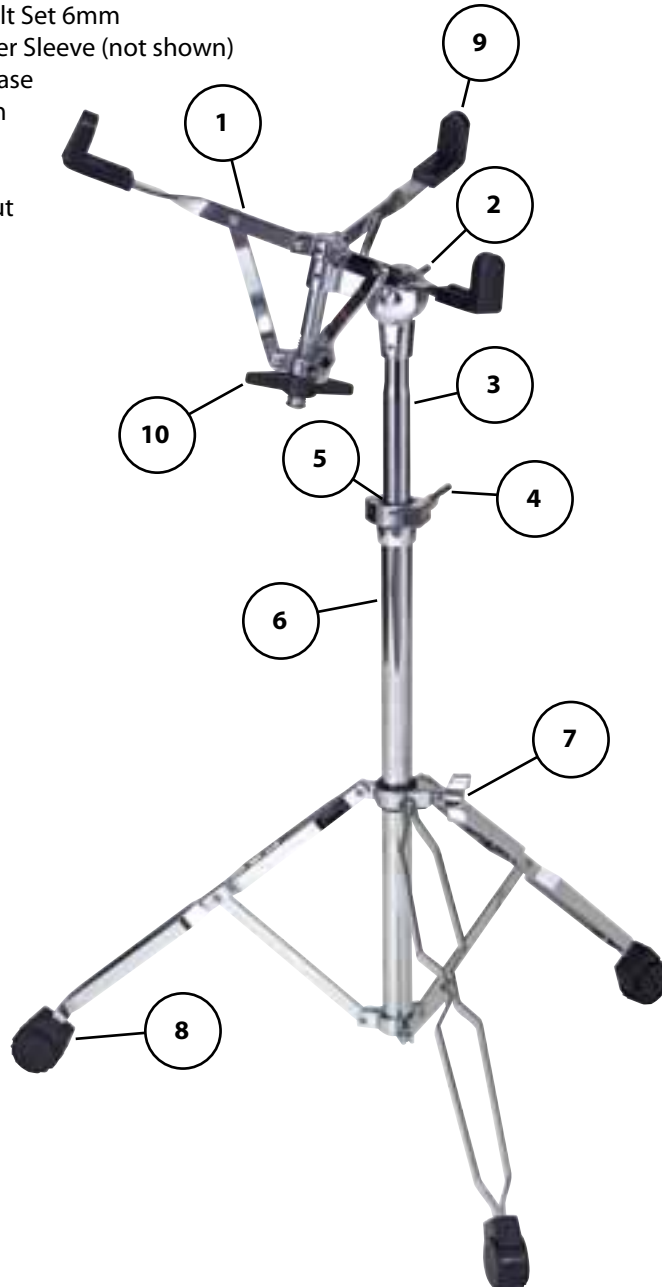
## 5606EX Extended Height Snare Drum Stand

### Model

5606EX Extended Snare Drum Stand

### Parts Listing

- 1 GP-6051 Snare Basket
- 2 GP-6052 Wing Nut/Bolt 8mm
- 3 GP-6099 Upper Tube
- 4 GP-6276 Wing/Short Bolt Set 6mm
- 5 GP-6215 7/8" Nylon Inner Sleeve (not shown)
- 6 GP-6061 Lower Stand Base
- 7 SC-0009 Wing Bolt 8mm
- 8 GP-6241 Rubber Foot
- 9 GP-6203 Rubber Sleeve
- 10 GP-6200 Nylon Wing Nut







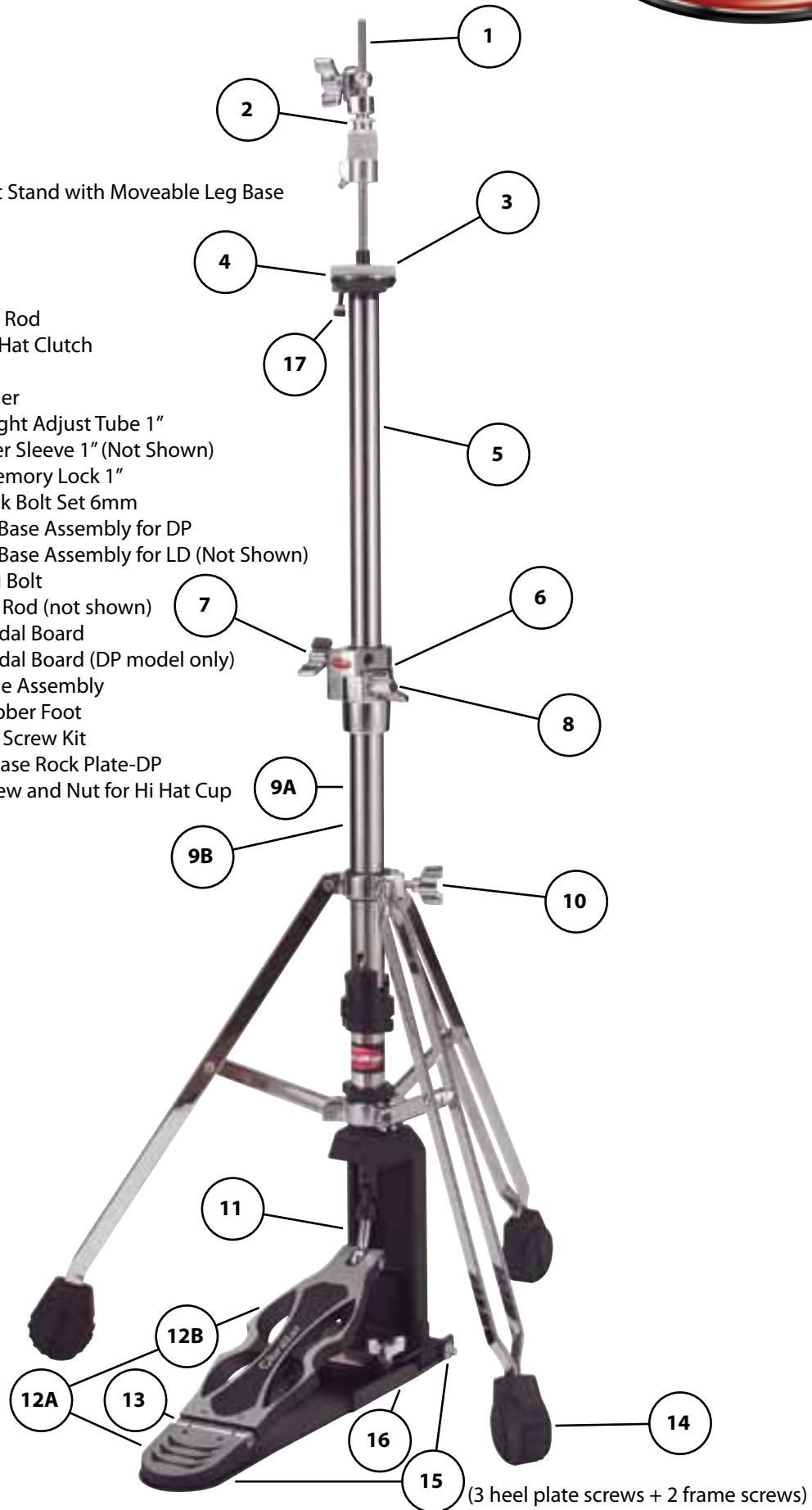
## 9607ML Hi Hat Stand with Moveable Leg Base

### Model

9607ML (DP+LD) Hi Hat Stand with Moveable Leg Base

### Parts Listing

- 1 GP-0016 Upper Pull Rod
- 2 SC-4420S Super Hi-Hat Clutch
- 3 SC-HHCF Cup Felt
- 4 SC-HHFW Flat Washer
- 5 GP-0017 Upper Height Adjust Tube 1"
- 6 GP-2002 Nylon Inner Sleeve 1" (Not Shown)
- 7 GP-6164 Hinged Memory Lock 1"
- 8 GP-5117 Wing/ Black Bolt Set 6mm
- 9A GP-6092 Lower ML Base Assembly for DP
- 9B GP-6222 Lower ML Base Assembly for LD (Not Shown)
- 10 SC-0009 8mm Wing Bolt
- 11 GP-6223 Direct Pull Rod (not shown)
- 12A GP-6130 Hinged Pedal Board
- 12B GP-6239 Hinged Pedal Board (DP model only)
- 13 SC-2000 Pedal Hinge Assembly
- 14 SC-PC09 Round Rubber Foot
- 15 GP-5242 Rock Plate Screw Kit
- 16 GP-6026 Quick Release Rock Plate-DP
- 17 GP-6119 Angle Screw and Nut for Hi Hat Cup





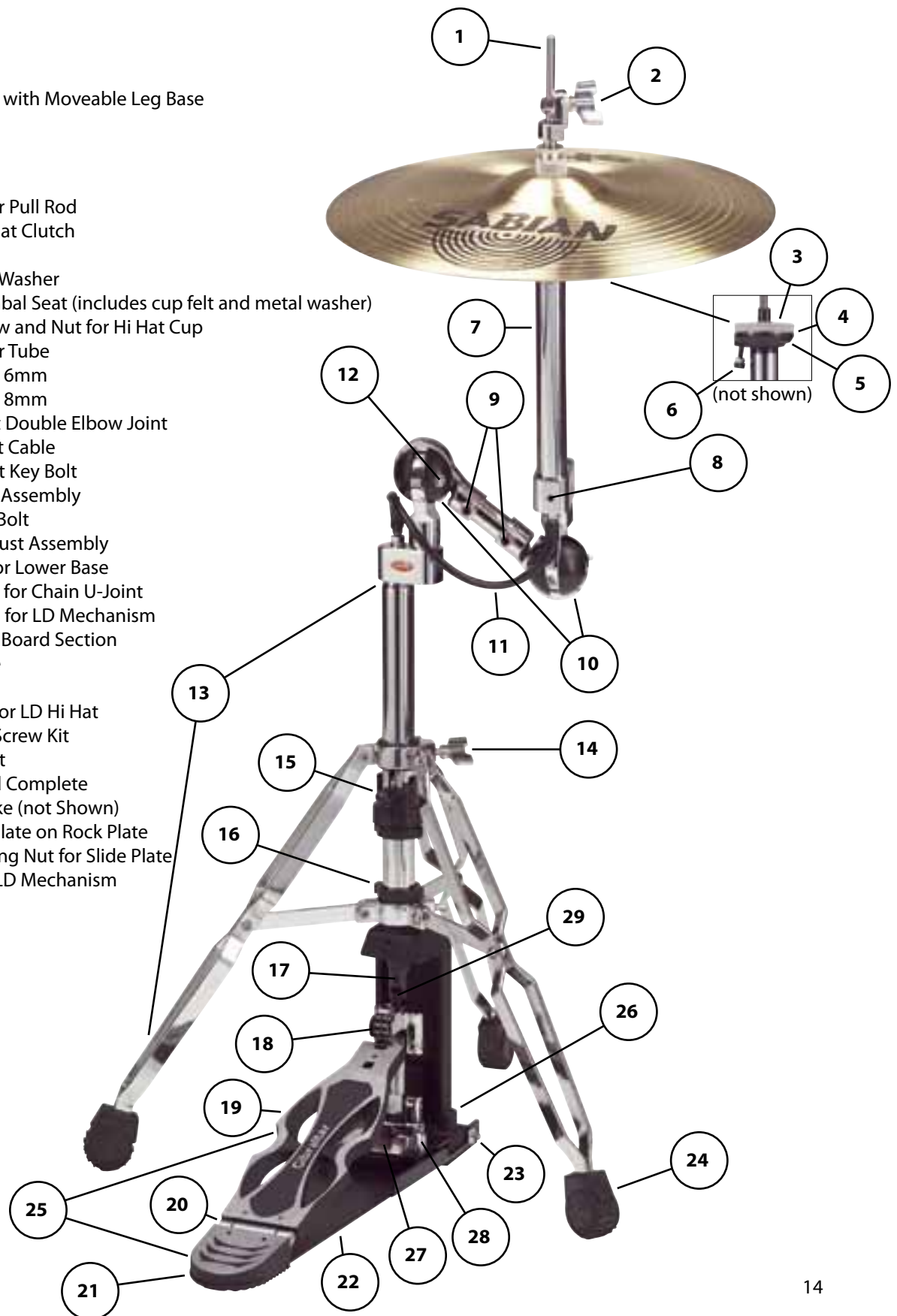
## 9607ML-UA Hi Hat Stand with Moveable Leg Base

### Model

9607ML-UA Hi Hat Stand with Moveable Leg Base

### Parts Listing

- 1 GP-6121 Short Upper Pull Rod
- 2 SC-4420S Super Hi-Hat Clutch
- 3 SC-HHCF Cup Felt
- 4 SC-HHFW Flat Metal Washer
- 5 SC-4980J Hi Hat Cymbal Seat (includes cup felt and metal washer)
- 6 GP-6119 Angle Screw and Nut for Hi Hat Cup
- 7 GP-6123 Short Upper Tube
- 8 GP-6124 Allen Screw 6mm
- 9 GP-6125 Allen Screw 8mm
- 10 GP-6126 Ultra Adjust Double Elbow Joint
- 11 GP-6127 Short Hi Hat Cable
- 12 GP-6128 Ultra Adjust Key Bolt
- 13 GP-6129 Lower Base Assembly
- 14 SC-0009 8mm Wing Bolt
- 15 GP-6136 Tension Adjust Assembly
- 16 GP-6137 Lock Ring for Lower Base
- 17 GP-6216 Allen Screw for Chain U-Joint
- 18 GP-6271 Short Chain for LD Mechanism
- 19 GP-6132 Upper Foot Board Section
- 20 SC-2000 Pedal Hinge
- 21 GP-6131 Heel Plate
- 22 GP-6025 Rock Plate for LD Hi Hat
- 23 GP-5242 Rock Plate Screw Kit
- 24 SC-PC09 Rubber Foot
- 25 GP-6130 Pedal Board Complete
- 26 GP-6133 Anchor Spike (not Shown)
- 27 GP-6134 Slide Lock Plate on Rock Plate
- 28 GP-6135 Bolt and Wing Nut for Slide Plate
- 29 GP-5010 U-Joint for LD Mechanism





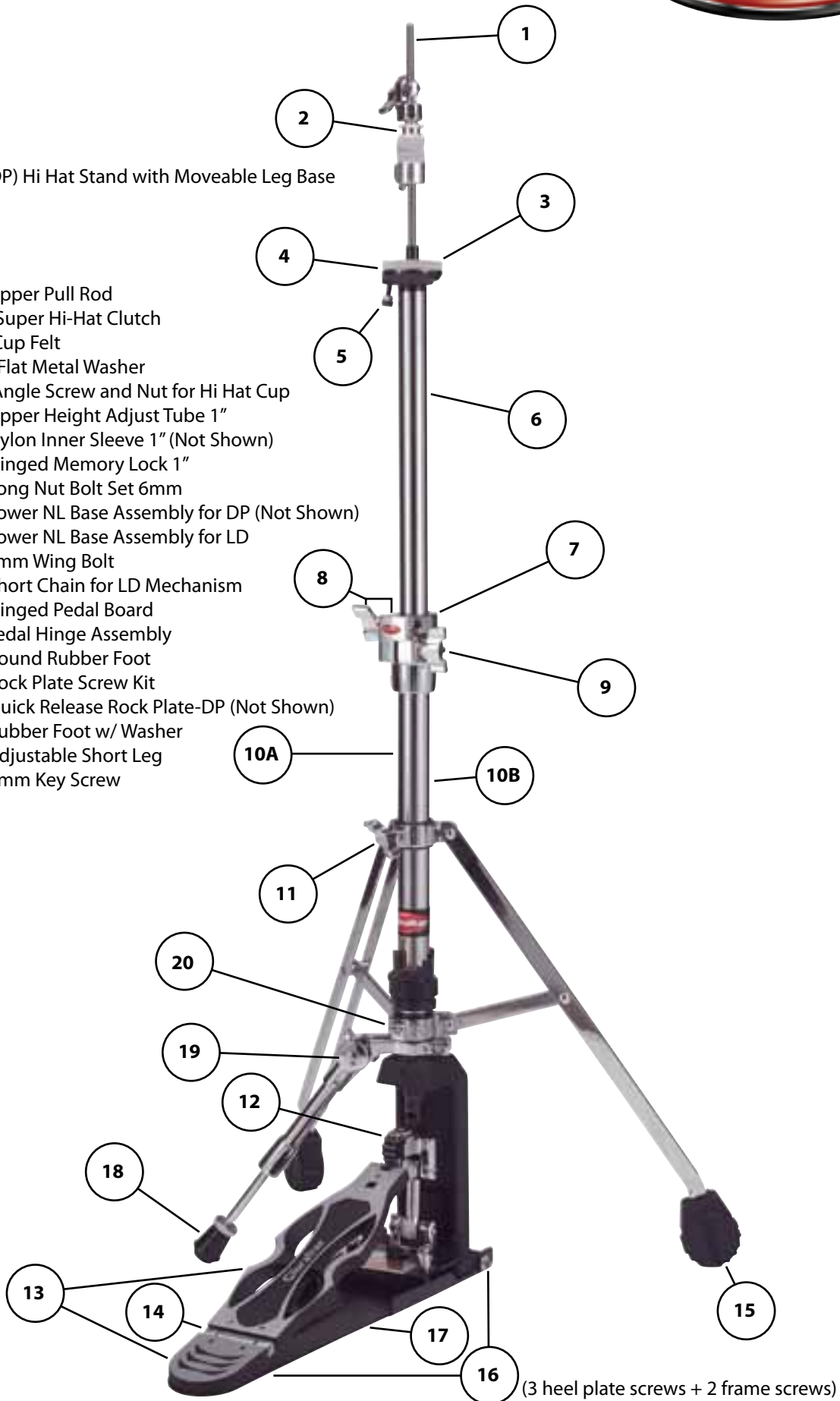
## 9607DL Hi Hat Stand with Moveable Leg Base

### Model

9607DL (LH+DP) Hi Hat Stand with Moveable Leg Base

### Parts Listing

- 1 GP-0016 Upper Pull Rod
- 2 SC-4420S Super Hi-Hat Clutch
- 3 SC-HHCF Cup Felt
- 4 SC-HHFW Flat Metal Washer
- 5 GP-6119 Angle Screw and Nut for Hi Hat Cup
- 6 GP-0017 Upper Height Adjust Tube 1"
- 7 GP-2002 Nylon Inner Sleeve 1" (Not Shown)
- 8 GP-6164 Hinged Memory Lock 1"
- 9 GP-5117 Long Nut Bolt Set 6mm
- 10A GP-6159 Lower NL Base Assembly for DP (Not Shown)
- 10B GP-6226 Lower NL Base Assembly for LD
- 11 SC-0009 8mm Wing Bolt
- 12 GP-6271 Short Chain for LD Mechanism
- 13 GP-6130 Hinged Pedal Board
- 14 SC-2000 Pedal Hinge Assembly
- 15 SC-PC09 Round Rubber Foot
- 16 GP-5242 Rock Plate Screw Kit
- 17 GP-6026 Quick Release Rock Plate-DP (Not Shown)
- 18 GP-5220 Rubber Foot w/ Washer
- 19 GP-6158 Adjustable Short Leg
- 20 GP-0121 8mm Key Screw





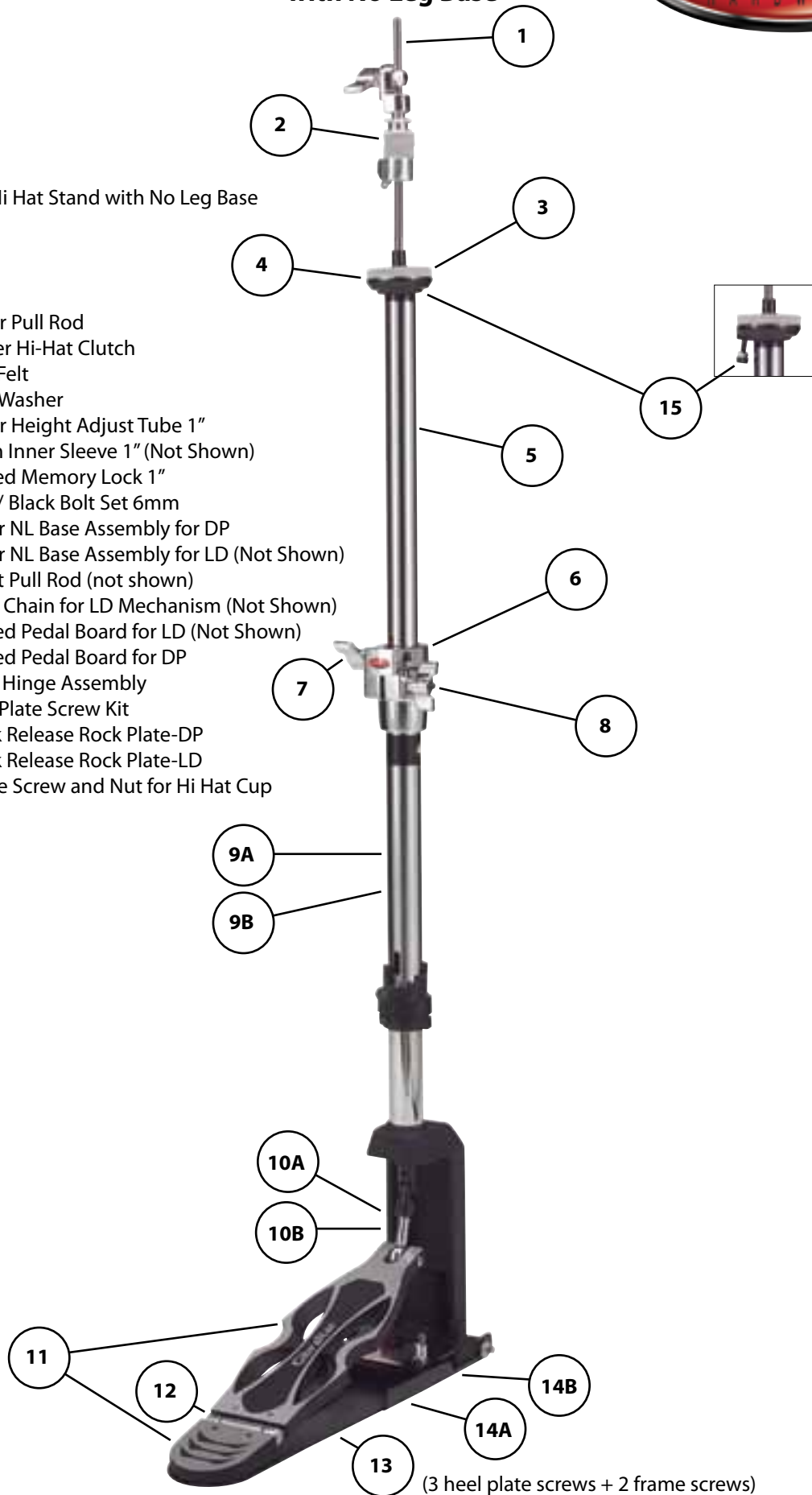
## 9607NL Hi Hat Stand with No Leg Base

### Model

9607NL (DP+LD) Hi Hat Stand with No Leg Base

### Parts Listing

- 1 GP-0016 Upper Pull Rod
- 2 SC-4420S Super Hi-Hat Clutch
- 3 SC-HHCF Cup Felt
- 4 SC-HHFW Flat Washer
- 5 GP-0017 Upper Height Adjust Tube 1"
- 6 GP-2002 Nylon Inner Sleeve 1" (Not Shown)
- 7 GP-6164 Hinged Memory Lock 1"
- 8 GP-5117 Wing/ Black Bolt Set 6mm
- 9A GP-6157 Lower NL Base Assembly for DP
- 9B GP-6227 Lower NL Base Assembly for LD (Not Shown)
- 10A GP-6223 Direct Pull Rod (not shown)
- 10B GP-6271 Short Chain for LD Mechanism (Not Shown)
- 11A GP-6130 Hinged Pedal Board for LD (Not Shown)
- 11B GP-6239 Hinged Pedal Board for DP
- 12 SC-2000 Pedal Hinge Assembly
- 13 GP-5242 Rock Plate Screw Kit
- 14A GP-6026 Quick Release Rock Plate-DP
- 14B GP-6025 Quick Release Rock Plate-LD
- 15 GP-6119 Angle Screw and Nut for Hi Hat Cup



(3 heel plate screws + 2 frame screws)

## 9607NL-UA Hi Hat Stand with No Leg Base

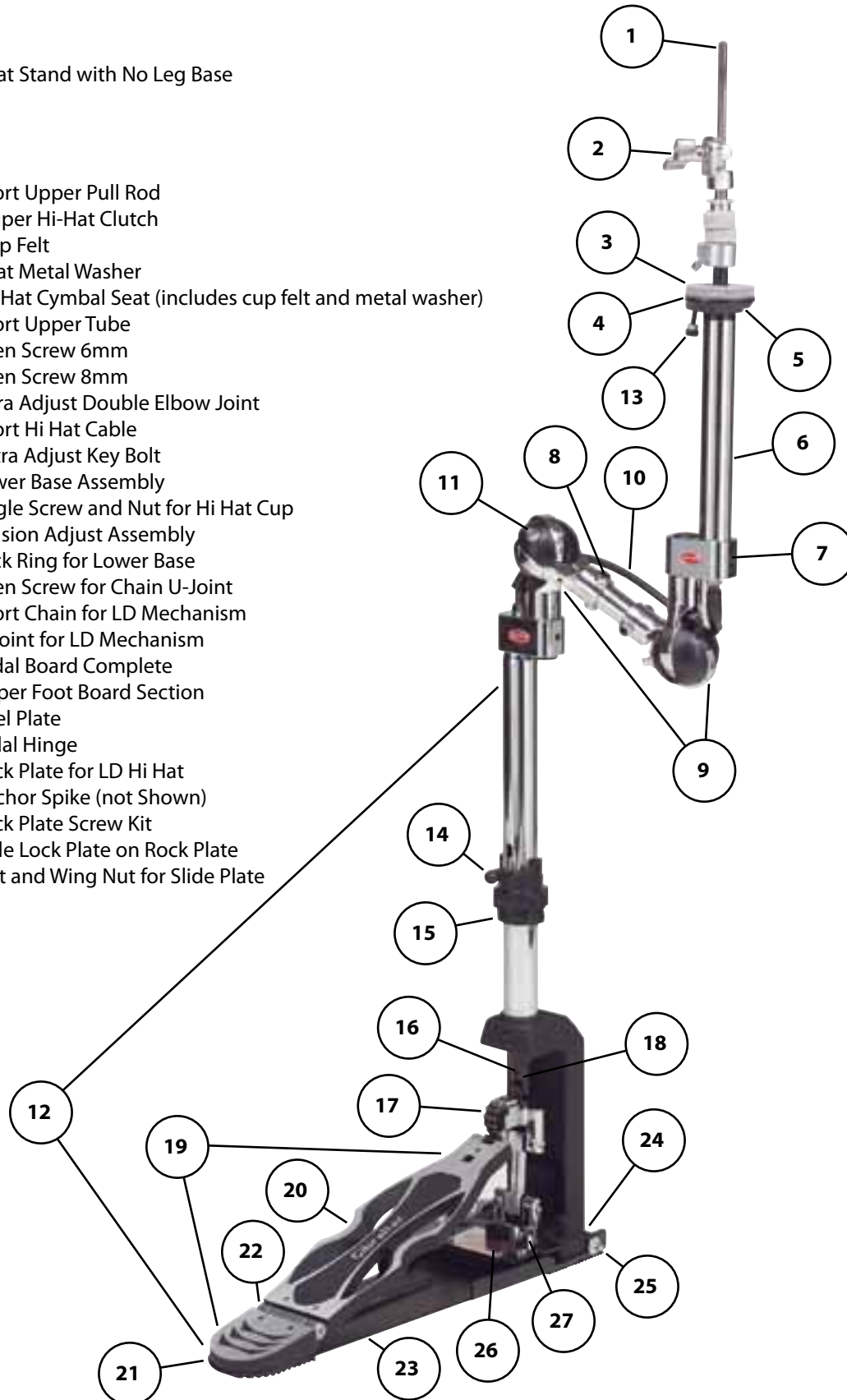


### Model

9607NL-UA Hi Hat Stand with No Leg Base

### Parts Listing

- 1 GP-6121 Short Upper Pull Rod
- 2 SC-4420S Super Hi-Hat Clutch
- 3 SC-HHCF Cup Felt
- 4 SC-HHFW Flat Metal Washer
- 5 SC-4980J Hi Hat Cymbal Seat (includes cup felt and metal washer)
- 6 GP-6123 Short Upper Tube
- 7 GP-6124 Allen Screw 6mm
- 8 GP-6125 Allen Screw 8mm
- 9 GP-6126 Ultra Adjust Double Elbow Joint
- 10 GP-6127 Short Hi Hat Cable
- 11 GP-6128 Ultra Adjust Key Bolt
- 12 GP-6225 Lower Base Assembly
- 13 GP-6119 Angle Screw and Nut for Hi Hat Cup
- 14 GP-6136 Tension Adjust Assembly
- 15 GP-6137 Lock Ring for Lower Base
- 16 GP-6216 Allen Screw for Chain U-Joint
- 17 GP-6271 Short Chain for LD Mechanism
- 18 GP-5010 U-Joint for LD Mechanism
- 19 GP-6130 Pedal Board Complete
- 20 GP-6132 Upper Foot Board Section
- 21 GP-6131 Heel Plate
- 22 SC-2000 Pedal Hinge
- 23 GP-6025 Rock Plate for LD Hi Hat
- 24 GP-6133 Anchor Spike (not Shown)
- 25 GP-5242 Rock Plate Screw Kit
- 26 GP-6134 Slide Lock Plate on Rock Plate
- 27 GP-6135 Bolt and Wing Nut for Slide Plate





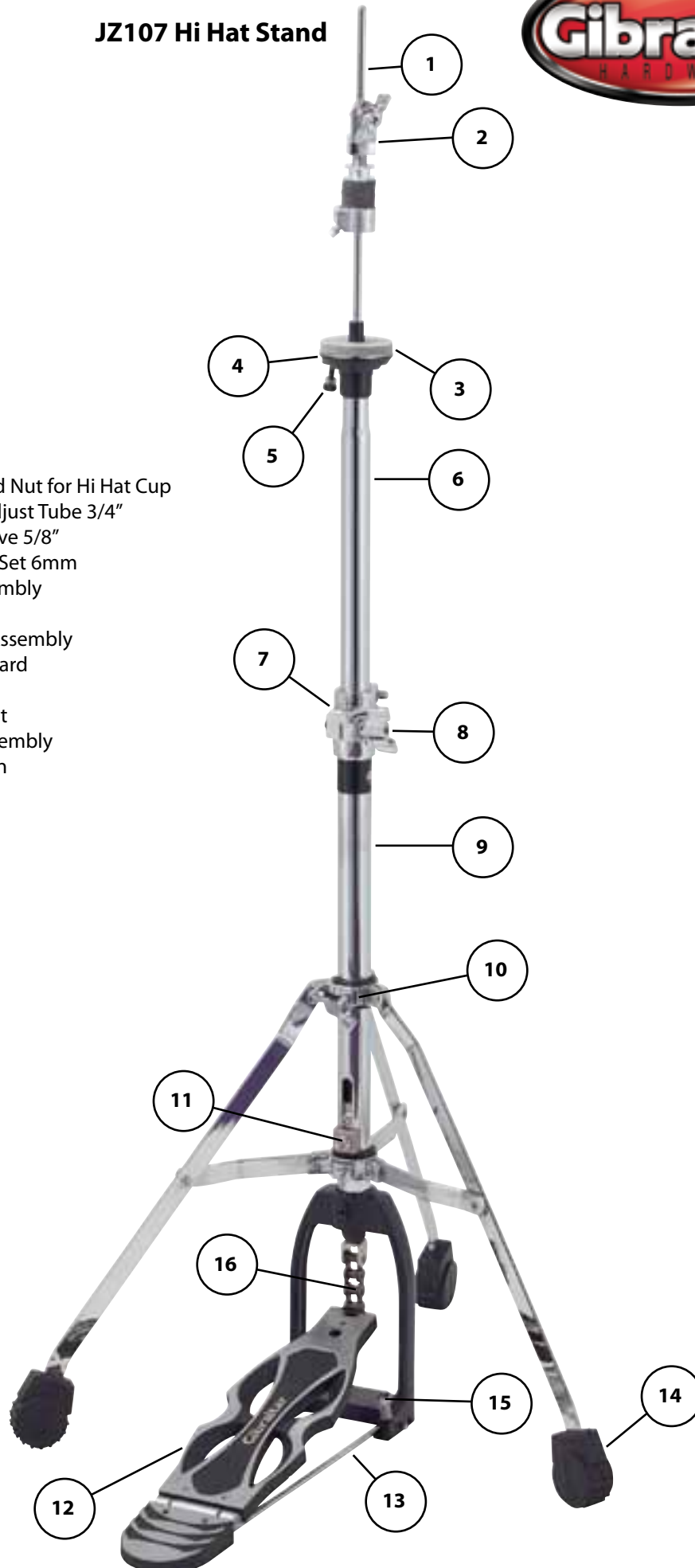
## JZ107 Hi Hat Stand

### Model

JZ107 Hi Hat Stand

### Parts Listing

- 1 GP-0016 Upper Pull Rod
- 2 SC-4420S Hi-Hat Clutch
- 3 SC-HHCF Cup Felt
- 4 SC-HHFW Flat Washer
- 5 GP-6119 Angle Screw and Nut for Hi Hat Cup
- 6 GP-6242 Upper Height Adjust Tube 3/4"
- 7 GP-5116 Nylon Inner Sleeve 5/8"
- 8 GP-6030 Wing/Short Bolt Set 6mm
- 9 GP-6120 Lower Base Assembly
- 10 SC-0009 8mm Wing Bolt
- 11 GP-5171 Spring Tension Assembly
- 12 GP-6270 Hinged Pedal Board
- 13 GP-0021 Radius Rod
- 14 GP-4045 Base Rubber Foot
- 15 GP-0020 Anchor Spur Assembly
- 16 GP-6032 Wide single chain



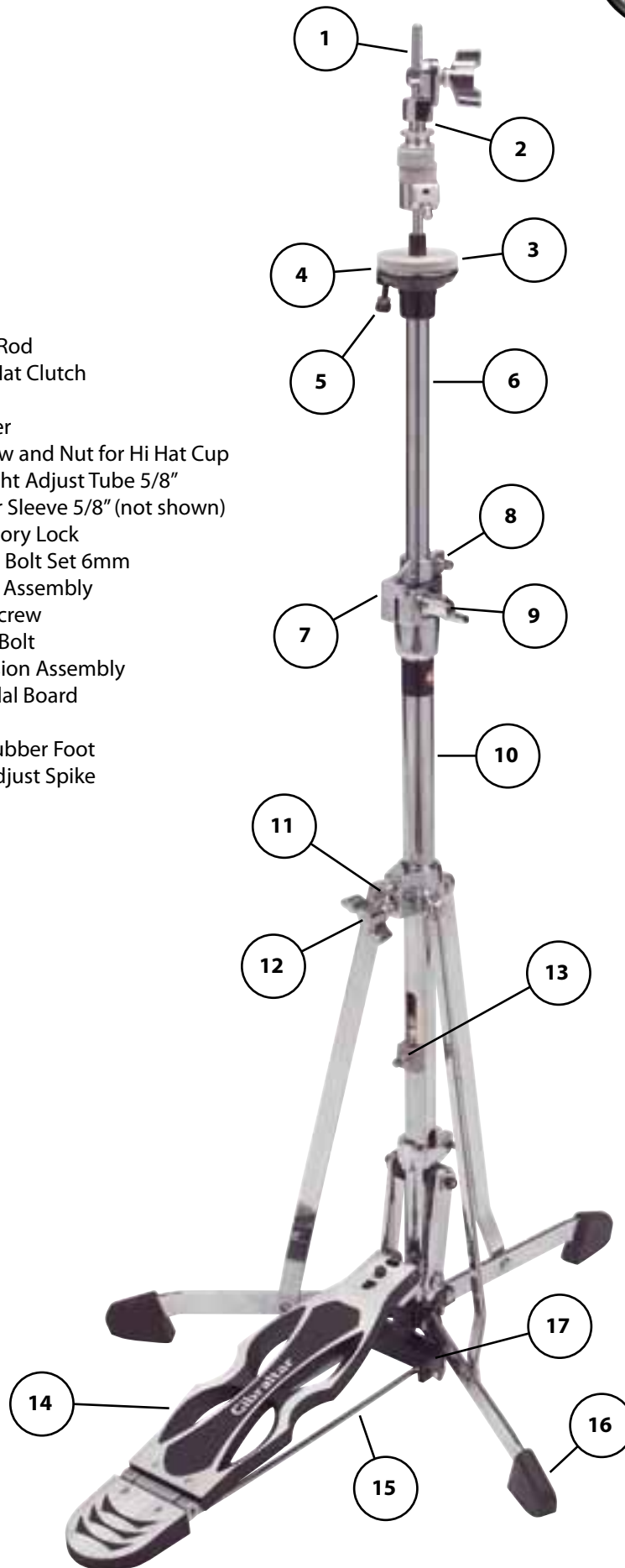


## 8607 Hi Hat Stand

**Model**  
8607 Hi Hat Stand

### Parts Listing

- 1 GP-0016 Upper Pull Rod
- 2 SC-4420S Super Hi-Hat Clutch
- 3 SC-HHCF Cup Felt
- 4 SC-HHFW Flat Washer
- 5 GP-6119 Angle Screw and Nut for Hi Hat Cup
- 6 GP-6021 Upper Height Adjust Tube 5/8"
- 7 GP-5116 Nylon Inner Sleeve 5/8" (not shown)
- 8 GP-6022 Fitted Memory Lock
- 9 GP-6030 Wing/Short Bolt Set 6mm
- 10 GP-6023 Lower Base Assembly
- 11 GP-0121 8mm Key Screw
- 12 SC-0009 8mm Wing Bolt
- 13 GP-5171 Spring Tension Assembly
- 14 GP-6270 Hinged Pedal Board
- 15 GP-0021 Radius Rod
- 16 GP-6024 Flat Base Rubber Foot
- 17 GP-6027 Dual Key Adjust Spike



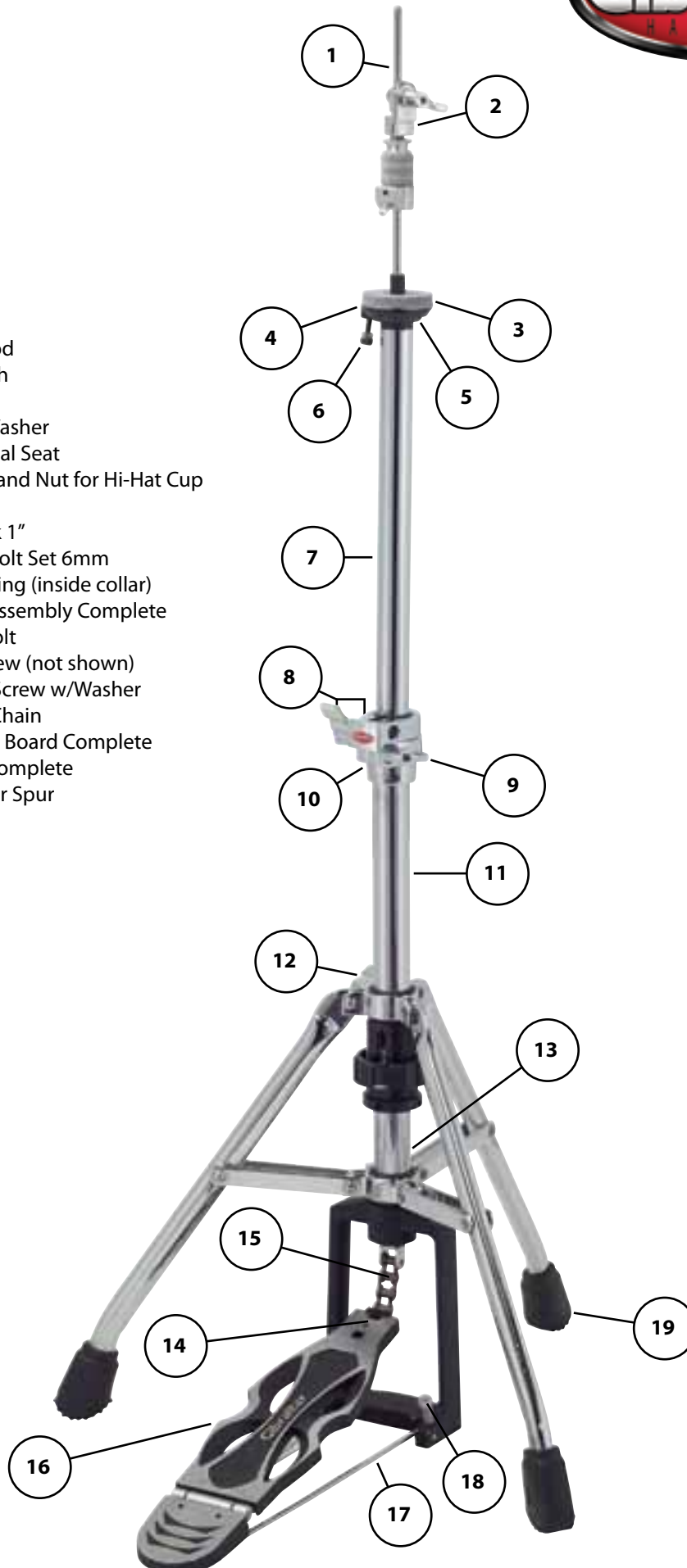


## 7707 Hi Hat Stand

**Model**  
7707 Hi Hat Stand

### Parts Listing

- 1 GP-0016 Upper Pull Rod
- 2 SC-4420S Hi-Hat Clutch
- 3 SC-HHCF Cup Felt
- 4 SC-HHFW Flat Metal Washer
- 5 SC-4980J Hi-Hat Cymbal Seat
- 6 GP-6119 Angle Screw and Nut for Hi-Hat Cup
- 7 GP-0017 Upper Tube
- 8 GP-6164 Memory Lock 1"
- 9 GP-6276 Wing/Short Bolt Set 6mm
- 10 GP-6214 1" Inner Bushing (inside collar)
- 11 GP-6122 Lower Base Assembly Complete
- 12 SC-0009 8mm Wing Bolt
- 13 SC-0121 8mm Key Screw (not shown)
- 14 GP-0080 Pedal Board Screw w/Washer
- 15 GP-6032 Wide Single Chain
- 16 GP-6270 Hinged Pedal Board Complete
- 17 GP-0021 Radius Rod Complete
- 18 GP-0020 Hi-Hat Anchor Spur
- 19 SC-PC08 Rubber Foot





## 6607 Hi Hat Stand



### Model

6607 Hi Hat Stand

### Parts Listing

- 1 GP-0016 Upper Pull Rod
- 2 SC-4421D Hi-Hat Clutch
- 3 SC-HHCF Cup Felt
- 4 SC-HHFW Flat Washer
- 5 GP-6119 Angle Screw and Nut for Hi-Hat Cup
- 6 GP-0017 Upper Height Adjust Tube
- 7 GP-6214 1" Nylon Inner Sleeve
- 8 GP-6217 1" Fitted Memory Lock
- 9 GP-6276 Wing/Short Bolt Set 6mm
- 10 GP-6070 Hi-Hat Stand Base
- 11 SC-0009 8mm Wing Bolt
- 12 GP-6032 Hi-Hat Chain
- 13 GP-6150 Pinned Footboard
- 14 GP-0021 Radius Rod for Hi-Hat
- 15 SC-PC10 Rubber Foot
- 16 GP-0020 Anchor Spur Assembly



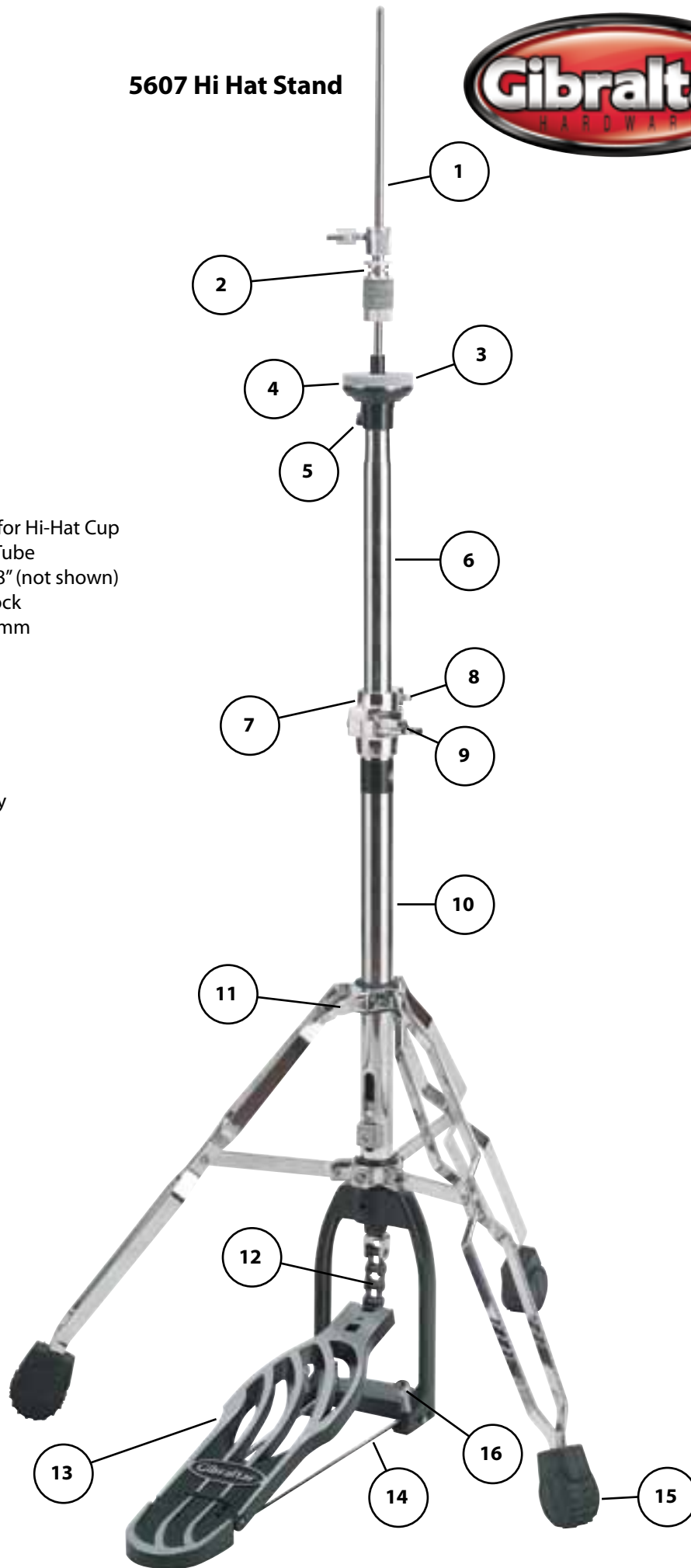
## 5607 Hi Hat Stand



**Model**  
5607 Hi Hat Stand

### Parts Listing

- 1 GP-0016 Upper Pull Rod
- 2 SC-4421D Hi-Hat Clutch
- 3 SC-HHCF Cup Felt
- 4 SC-HHFW Flat Washer
- 5 GP-6119 Angle Screw and Nut for Hi-Hat Cup
- 6 GP-6047 Upper Height Adjust Tube
- 7 GP-6215 Nylon Inner Sleeve 7/8" (not shown)
- 8 GP-6049 7/8" Fitted Memory Lock
- 9 GP-6276 Wing/Short Bolt Set 6mm
- 10 GP-6050 Hi-Hat Stand Base
- 11 SC-0009 Wing Bolt 8mm
- 12 GP-6032 Hi-Hat Chain
- 13 GP-6150 Pinned Footboard
- 14 GP-0021 Radius Rod for HiHat
- 15 GP-6241 Rubber Foot
- 16 GP-0020 Anchor Spur Assembly





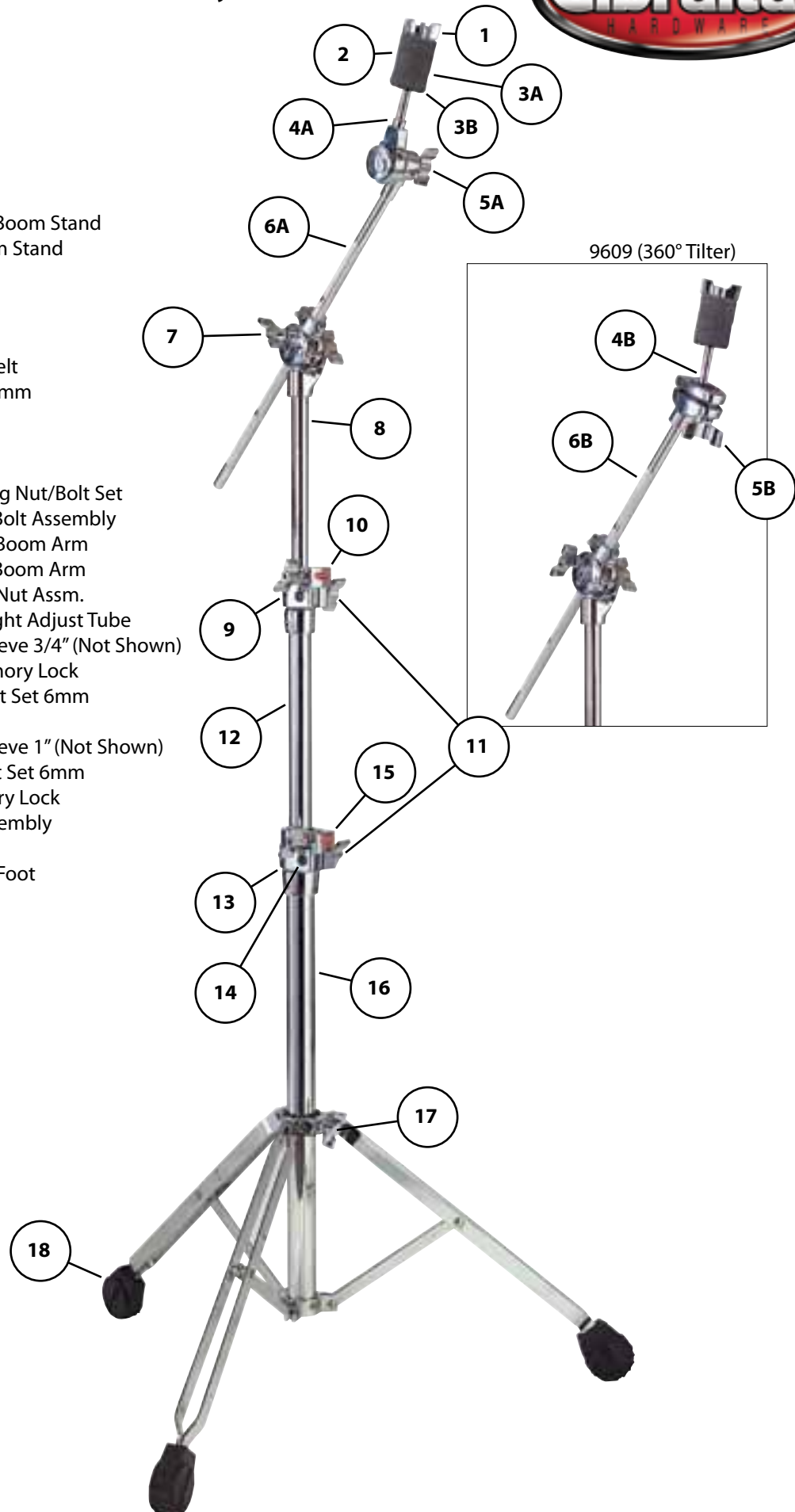
## 9609 Cymbal Boom Stands

### Models

9609-BT Brake Tilter Cymbal Boom Stand  
 9609 360° Tilter Cymbal Boom Stand

### Parts Listing

- 1 SC-13P2 Wing Nut 8mm
- 2 SC-CFL4 Small Cymbal Felt
- 3A SC-19A Cymbal Sleeve 8mm
- 3B GP-A100 Cymbal Disk
- 4A GP-6084 Brake Tilter Top
- 4B GP-2011 360° Tilter Ball
- 5A GP-6085 Brake Tilter Wing Nut/Bolt Set
- 5B GP-6269 360° Ball Tilter Bolt Assembly
- 6A SC-LBRA-BT Brake Tilter Boom Arm
- 6B GP-6063 360° Ball Tilter Boom Arm
- 7 GP-6068 Hex Bolt/Wing Nut Assm.
- 8 GP-6093 3/4" Upper Height Adjust Tube
- 9 GP-2005 Nylon Inner Sleeve 3/4" (Not Shown)
- 10 GP-6078 3/4" Fitted memory Lock
- 11 GP-6030 Wing/ Black Bolt Set 6mm
- 12 GP-6094 1" Middle Tube
- 13 GP-2002 Nylon Inner Sleeve 1" (Not Shown)
- 14 GP-5117 Wing/Black Bolt Set 6mm
- 15 GP-6164 1" Fitted Memory Lock
- 16 GP-6095 Lower Base Assembly
- 17 SC-0009 8mm Wing Bolt
- 18 GP-6268 Round Rubber Foot



## 9610 Straight Cymbal Stands

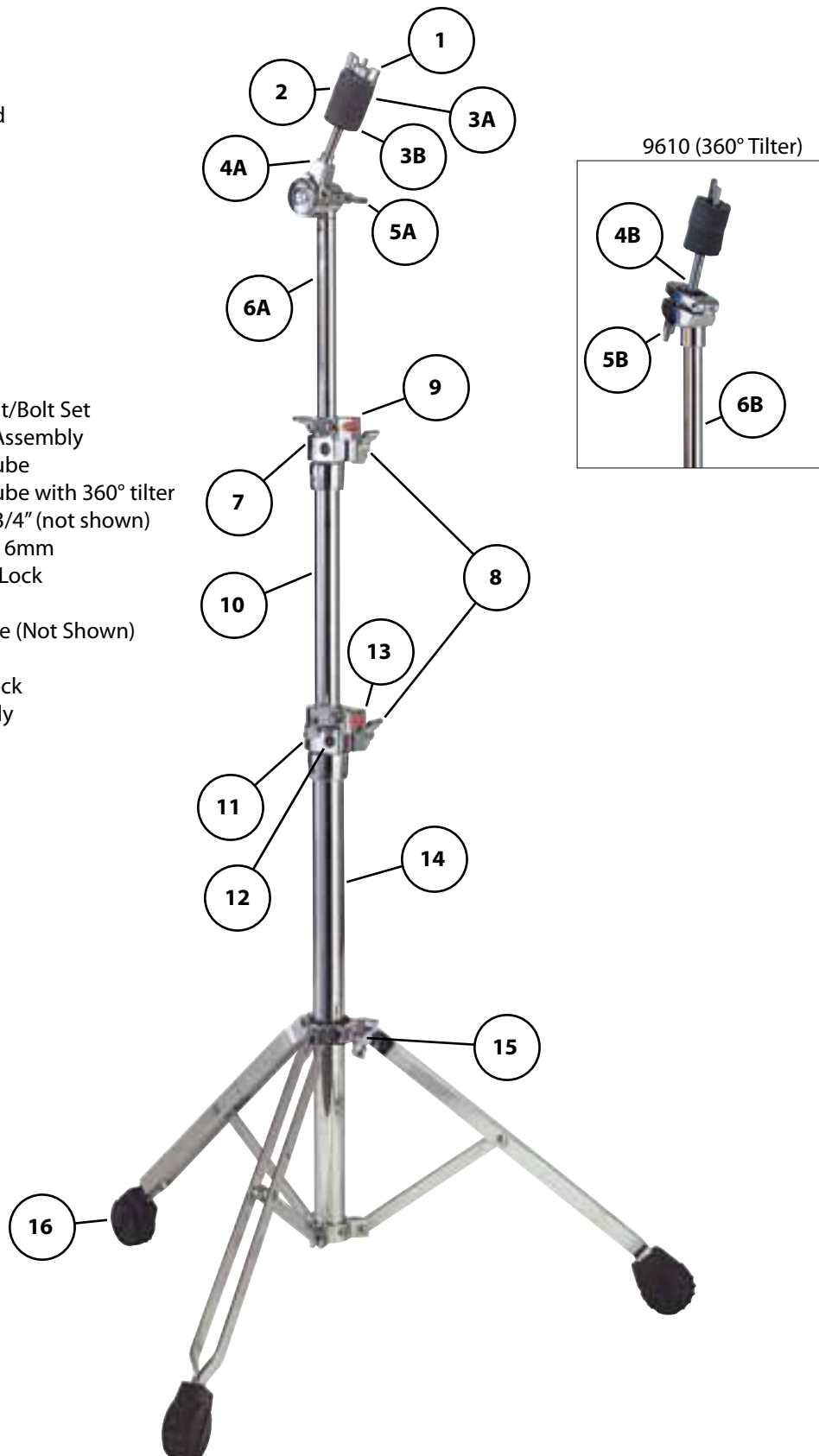


### Models

- 9610-BT Brake Tilter Cymbal Stand
- 9610 360° Tilter Cymbal Stand

### Parts Listing

- 1 SC-13P2 Wing Nut 8mm
- 2 SC-CFL/4 Small Cymbal Felt
- 3A SC-19A Cymbal Sleeve 8mm
- 3B GP-A100 Cymbal Disk
- 4A GP-6084 Brake Tilter Top
- 4B GP-2011 360° Tilter Ball
- 5A GP-6085 Brake Tilter Wing Nut/Bolt Set
- 5B GP-6269 360° Ball Tilter Bolt Assembly
- 6A GP-6096 3/4" Upper Adjust Tube
- 6B GP-6224 3/4" Upper Adjust Tube with 360° tilter
- 7 GP-2005 Nylon Inner Sleeve 3/4" (not shown)
- 8 GP-6030 Wing/ Black Bolt Set 6mm
- 9 GP-6078 3/4" Fitted memory Lock
- 10 GP-6094 1" Middle Tube
- 11 GP-2002 1" Nylon Inner Sleeve (Not Shown)
- 12 GP-5117 6mm Wing Bolt
- 13 GP-6164 1" Fitted Memory Lock
- 14 GP-6095 Lower Base Assembly
- 15 SC-0009 8mm Wing Bolt
- 16 GP-6268 Round Rubber Foot



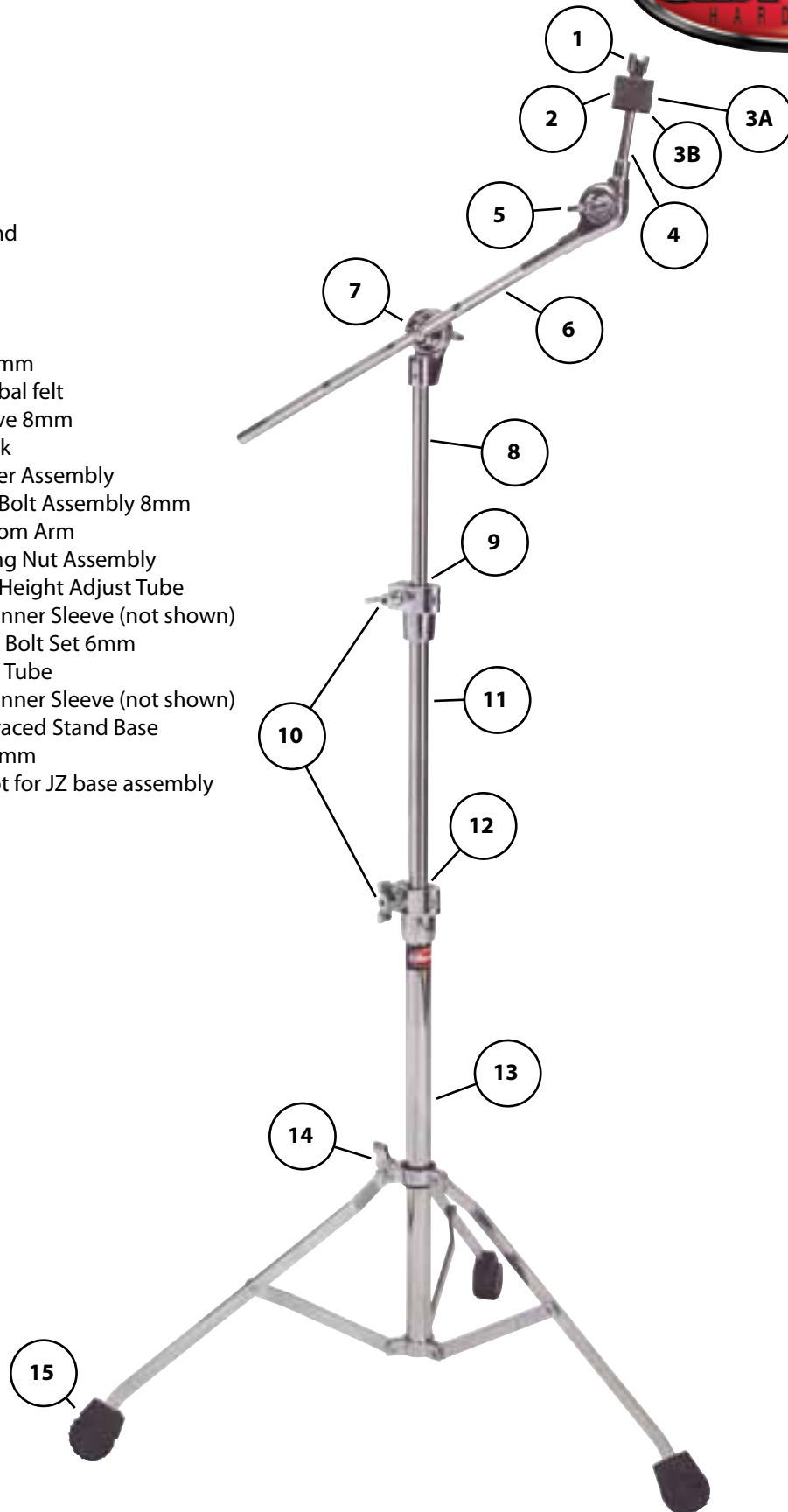
## JZ109 Cymbal Boom Stand



**Model**  
JZ109 Cymbal Boom Stand

### Parts Listing

- 1 SC-13P2 Wing Nut 8mm
- 2 SC-CFS/4 Small Cymbal felt
- 3A SC-19B Cymbal Sleeve 8mm
- 3B GP-A100 Cymbal Disk
- 4 GP-6062 Cymbal Tilter Assembly
- 5 GP-6055 Wing Nut / Bolt Assembly 8mm
- 6 GP-6056 Knurled Boom Arm
- 7 GP-6236 Eyebolt Wing Nut Assembly
- 8 GP-6161 1/2" Upper Height Adjust Tube
- 9 GP-5116 5/8" Nylon Inner Sleeve (not shown)
- 10 GP-6030 Wing/Short Bolt Set 6mm
- 11 GP-6221 3/4" Middle Tube
- 12 GP-2005 3/4" Nylon Inner Sleeve (not shown)
- 13 GP-6162 JZ Single Braced Stand Base
- 14 SC-0009 Wing Bolt 8mm
- 15 GP-4045 Rubber Foot for JZ base assembly



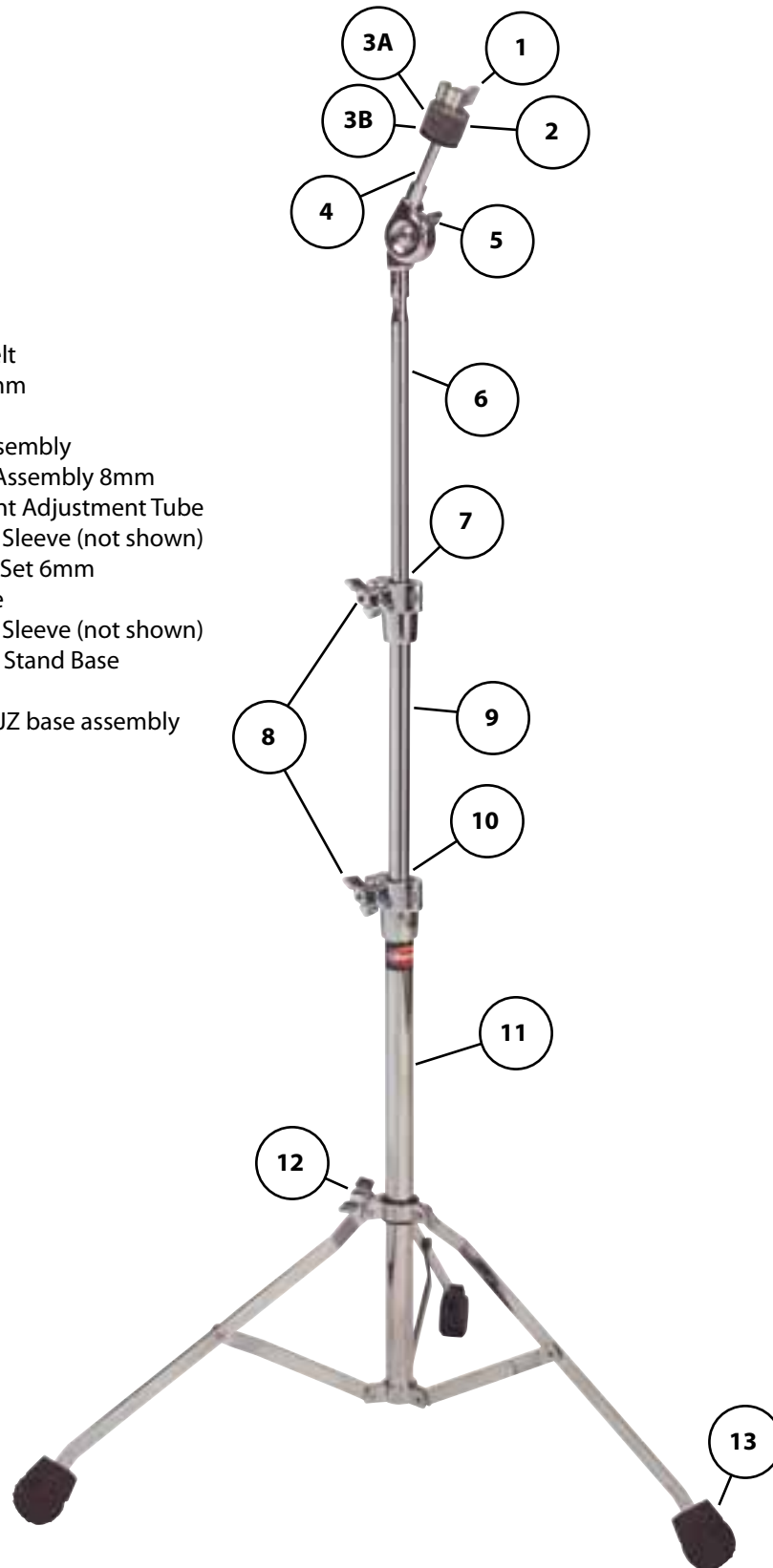
## JZ110 Straight Cymbal Stand



**Model**  
JZ110 Straight Cymbal Stand

### Parts Listing

- 1 SC-13P2 Wing Nut 8mm
- 2 SC-CFS/4 Small Cymbal felt
- 3A SC-19B Cymbal Sleeve 8mm
- 3B GP-A100 Cymbal Disk
- 4 GP-6062 Cymbal Tilter Assembly
- 5 GP-6055 Wing Nut / Bolt Assembly 8mm
- 6 GP-6163 5/8" Upper Height Adjustment Tube
- 7 GP-5116 5/8" Nylon Inner Sleeve (not shown)
- 8 GP-6030 Wing/Short Bolt Set 6mm
- 9 GP-6221 3/4" Middle Tube
- 10 GP-2005 3/4" Nylon Inner Sleeve (not shown)
- 11 GP-6162 JZ Single Braced Stand Base
- 12 SC-0009 Wing Bolt 8mm
- 13 GP-4045 Rubber Foot for JZ base assembly



# 8609 Cymbal Boom Stand



**Model**  
8609 Cymbal Boom Stand

### Parts Listing

- 1 SC-13P2 Wing Nut 8mm
- 2 SC-CFL/4 Small Cymbal Felt
- 3A SC-19A Cymbal Sleeve 8mm
- 3B GP-A100 Cymbal Disk
- 4 GP-6084 Brake Tilter Top
- 5 GP-6085 Brake Tilter Wing Nut/Bolt Set
- 6 GP-6086 Brake Tilter Boom Arm 10.5mm
- 7 GP-6040 Eyebolt/Wing Nut Assm.
- 8 GP-6091 5/8" Upper Height Adjust Tube
- 9 GP-5116 Nylon Inner Sleeve 5/8" (not shown)
- 10 GP-6030 Wing/Short Bolt Set 6mm
- 11 GP-6087 Flat Cymbal Stand Base
- 12 GP-0121 8mm Key Screw
- 13 GP-0009 8mm Wing Bolt
- 14 GP-6024 Flat Base Rubber Foot



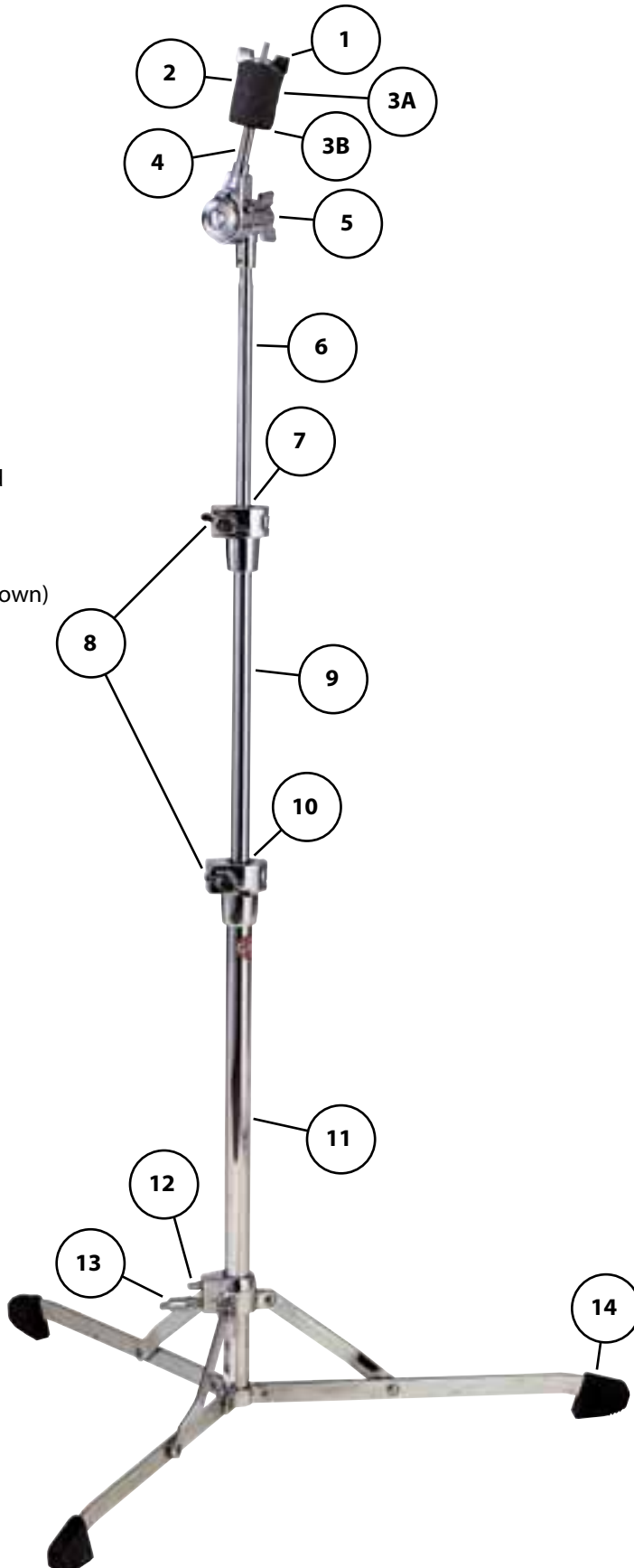
## 8610 Straight Cymbal Stand



**Model**  
8610 Straight Cymbal Stand

### Parts Listing

- 1 SC-13P2 Wing Nut 8mm
- 2 SC-CFL/4 Small Cymbal Felt
- 3A SC-19A Cymbal Sleeve 8mm
- 3B GP-A100 Cymbal Disk
- 4 GP-6084 Brake Tilter Top
- 5 GP-6085 Brake Tilter Wing Nut/Bolt Set
- 6 GP-6088 Upper Tube 1/2" for 8610 Stand
- 7 GP-6089 Nylon Inner Sleeve 1/2"
- 8 GP-6030 Wing/Short Bolt Set 6mm
- 9 GP-6090 Middle Shaft
- 10 GP-5116 Nylon Inner Sleeve 5/8" (not shown)
- 11 GP-6087 Flat Cymbal Stand Base
- 12 GP-0121 8mm Key Screw
- 13 GP-0009 8mm Wing Bolt
- 14 GP-6024 Flat Base Rubber Foot





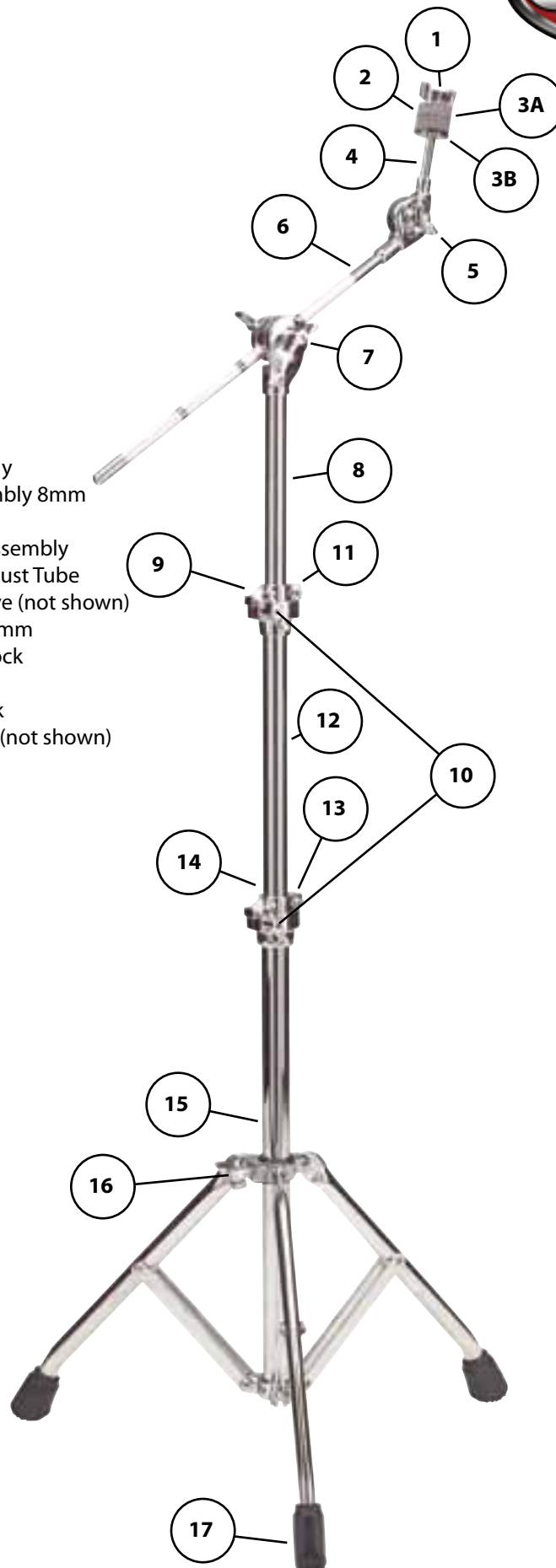


## 7709 Cymbal Boom Stand

**Model**  
7709 Cymbal Boom Stand

### Parts Listing

- 1 SC-13P2 Wing Nut 8mm
- 2 SC-CFS/4 Small Cymbal felt
- 3A SC-19B Cymbal Sleeve 8mm
- 3B GP-A100 Cymbal Disk
- 4 GP-6062 Cymbal Tilter Assembly
- 5 GP-6055 Wing Nut / Bolt Assembly 8mm
- 6 GP-6056 Knurled Boom Arm
- 7 GP-6068 Hex Bolt/ Wing Nut Assembly
- 8 GP-6074 7/8" Upper Height Adjust Tube
- 9 GP-6215 7/8" Nylon Inner Sleeve (not shown)
- 10 GP-6276 Wing/Short Bolt Set 6mm
- 11 GP-6049 7/8" Fitted Memory Lock
- 12 GP-6075 1" Middle Tube
- 13 GP-6217 1" Fitted Memory Lock
- 14 GP-6214 1" Nylon Inner Sleeve (not shown)
- 15 GP-6160 Lower Base Assembly
- 16 SC-0009 Wing Bolt 8mm
- 17 SC-PC08 Rubber Foot



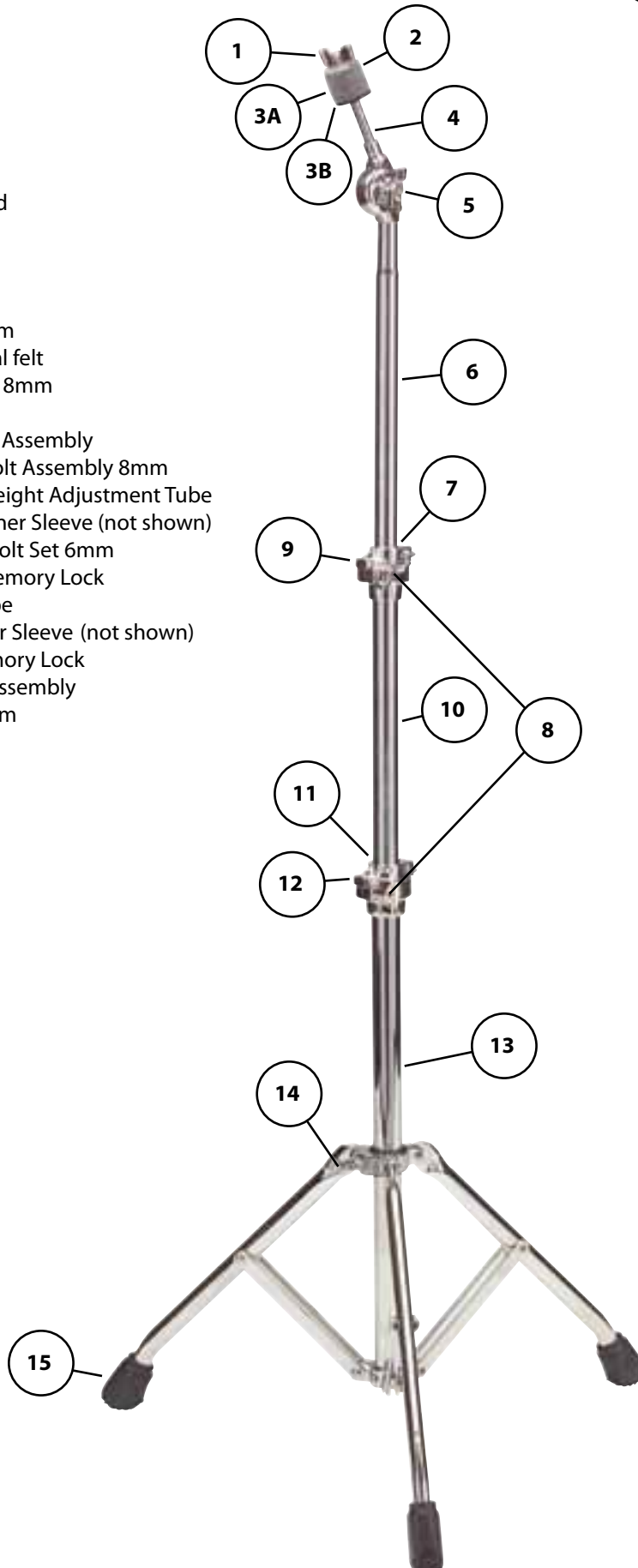


## 7710 Straight Cymbal Stand

**Model**  
7710 Straight Cymbal Stand

### Parts Listing

- 1 SC-13P2 Wing Nut 8mm
- 2 SC-CFS/4 Small Cymbal felt
- 3A SC-19B Cymbal Sleeve 8mm
- 3B GP-A100 Cymbal Disk
- 4 GP-6062 Cymbal Tilter Assembly
- 5 GP-6055 Wing Nut / Bolt Assembly 8mm
- 6 GP-6077 7/8" Upper Height Adjustment Tube
- 7 GP-6215 7/8" Nylon Inner Sleeve (not shown)
- 8 GP-6276 Wing/Short Bolt Set 6mm
- 9 GP-6049 7/8" Fitted Memory Lock
- 10 GP-6075 1" Middle Tube
- 11 GP-6214 1" Nylon Inner Sleeve (not shown)
- 12 GP-6217 1" Fitted Memory Lock
- 13 GP-6160 Lower Base Assembly
- 14 SC-0009 Wing Bolt 8mm
- 15 SC-PC08 Rubber Foot



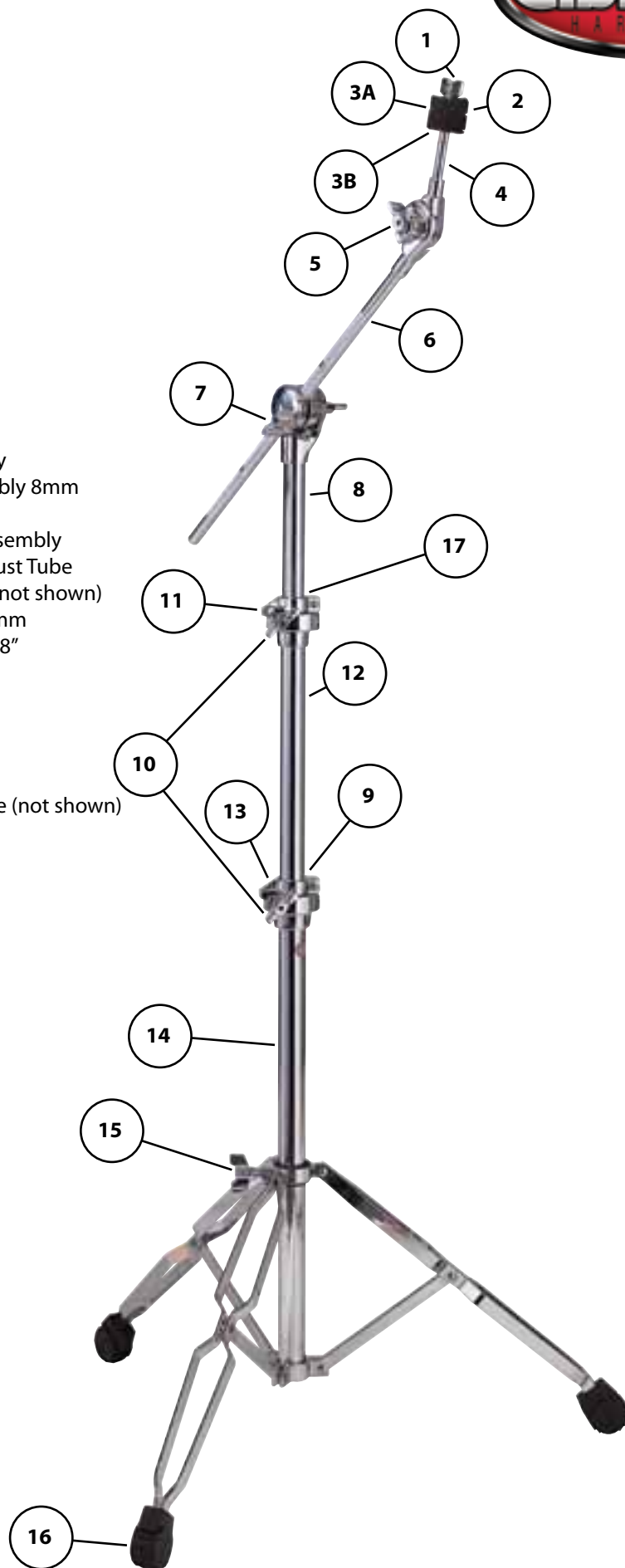
# 6609 Cymbal Boom Stand



**Model**  
6609 Cymbal Boom Stand

### Parts Listing

- 1 SC-13P2 Wing Nut 8mm
- 2 SC-CFS/4 Small Cymbal felt
- 3A SC-19B Cymbal Sleeve 8mm
- 3B GP-A100 Cymbal Disk
- 4 GP-6062 Cymbal Tilter Assembly
- 5 GP-6055 Wing Nut / Bolt Assembly 8mm
- 6 GP-6056 Knurled Boom Arm
- 7 GP-6068 Hex Bolt/ Wing Nut Assembly
- 8 GP-6074 7/8" Upper Height Adjust Tube
- 9 GP-6214 1" Nylon Inner Sleeve (not shown)
- 10 GP-6230 Wing/Short Bolt Set 6mm
- 11 GP-6049 Fitted Memory Lock 7/8"
- 12 GP-6075 1" Middle Tube
- 13 GP-6217 1" Fitted Memory Lock
- 14 GP-6076 Lower Base Assembly
- 15 SC-0009 Wing Bolt 8mm
- 16 SC-PC10 Rubber Foot
- 17 GP-6215 7/8" Nylon Inner Sleeve (not shown)



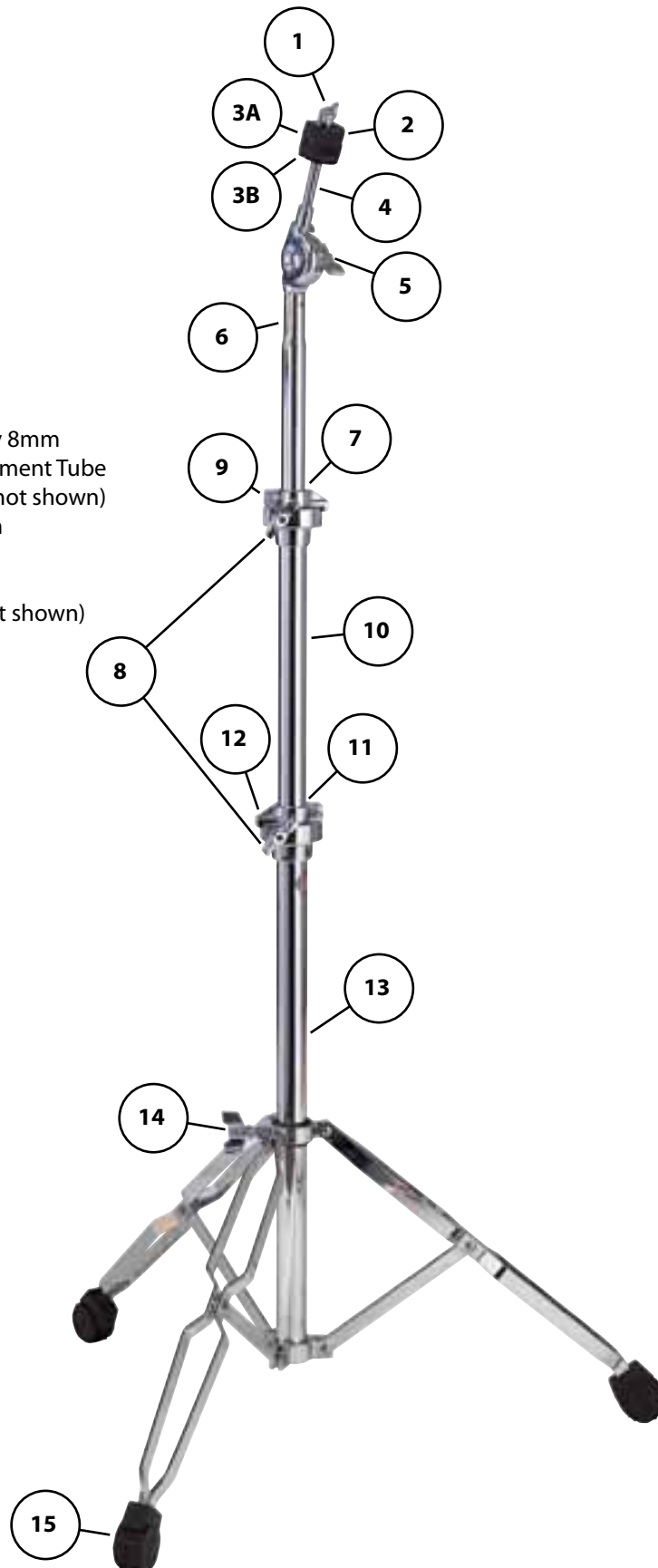
## 6610 Straight Cymbal Stand



**Model**  
6610 Straight Cymbal Stand

### Parts Listing

- 1 SC-13P2 Wing Nut 8mm
- 2 SC-CFS/4 Small Cymbal felt
- 3A SC-19B Cymbal Sleeve 8mm
- 3B GP-A100 Cymbal Disk
- 4 GP-6062 Cymbal Tilter Assembly
- 5 GP-6055 Wing Nut / Bolt Assembly 8mm
- 6 GP-6077 7/8" Upper Height Adjustment Tube
- 7 GP-6215 7/8" Nylon Inner Sleeve (not shown)
- 8 GP-6230 Wing/Short Bolt Set 6mm
- 9 GP-6049 7/8" Fitted Memory Lock
- 10 GP-6075 1" Middle Tube
- 11 GP-6214 1" Nylon Inner Sleeve (not shown)
- 12 GP-6217 1" Fitted Memory Lock
- 13 GP-6076 Lower Base Assembly
- 14 SC-0009 Wing Bolt 8mm
- 15 SC-PC10 Rubber Foot



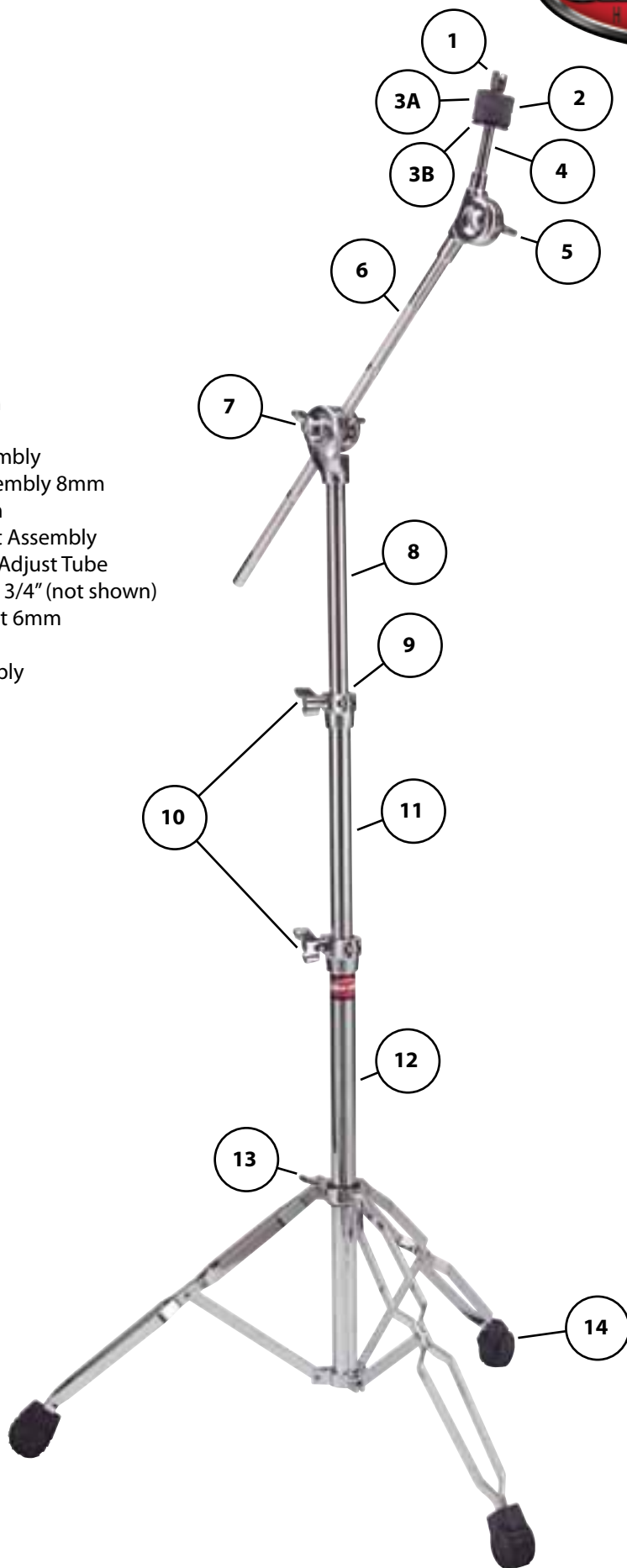
# 5609 Cymbal Boom Stand



**Model**  
5609 Cymbal Boom Stand

### Parts Listing

- 1 SC-13P2 Wing Nut 8mm
- 2 SC-CFS/4 Small Cymbal felt
- 3A SC-19B Cymbal Sleeve 8mm
- 3B GP-A100 Cymbal Disk
- 4 GP-6062 Cymbal Tilter Assembly
- 5 GP-6055 Wing Nut/Bolt Assembly 8mm
- 6 GP-6056 Knurled Boom Arm
- 7 GP-6068 Hex Bolt/ Wing Nut Assembly
- 8 GP-6093 3/4" Upper Height Adjust Tube
- 9 GP-6081 Nylon Inner Sleeve 3/4" (not shown)
- 10 GP-6276 Wing/Short Bolt Set 6mm
- 11 GP-6060 Middle Shaft
- 12 GP-6058 Lower Base Assembly
- 13 SC-0009 Wing Bolt 8mm
- 14 GP-6241 Rubber Foot



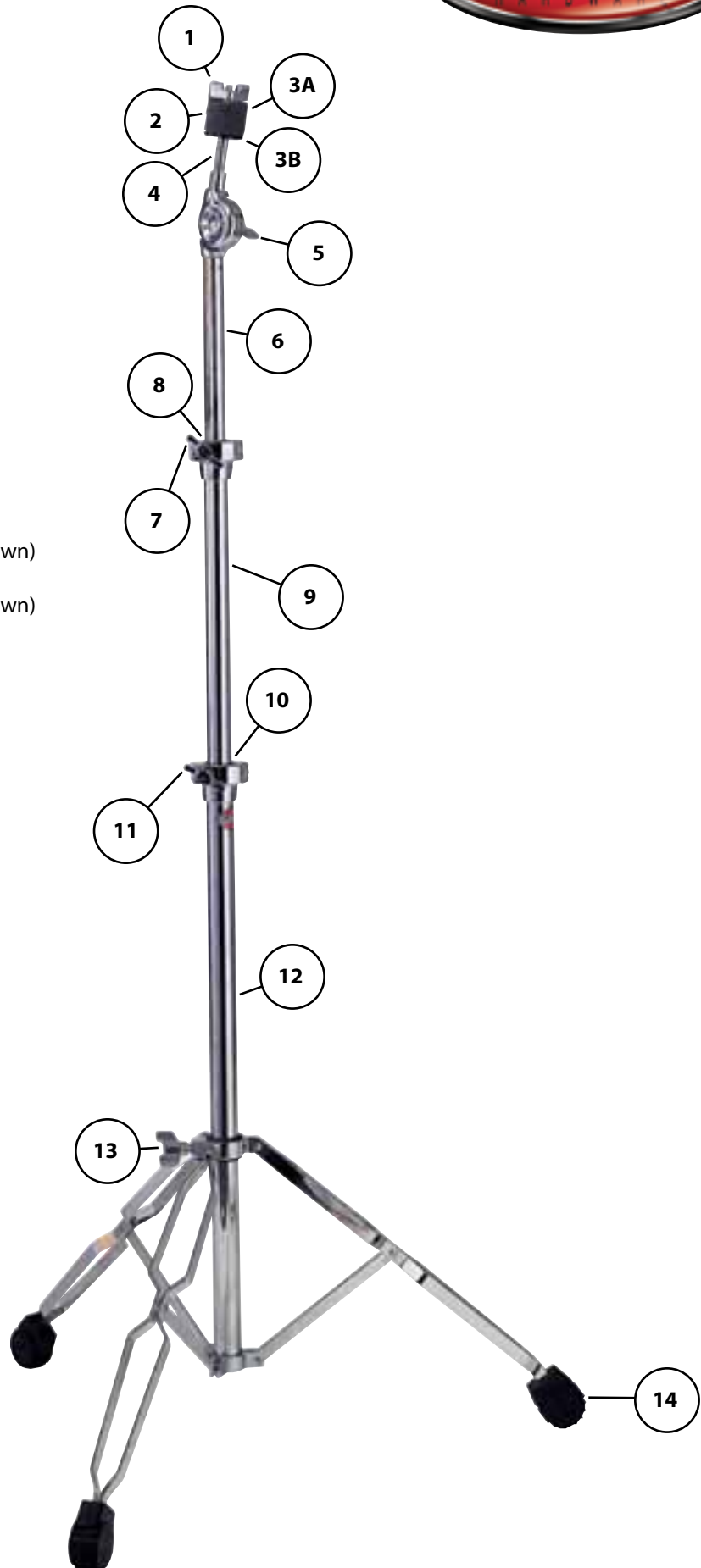


## 5610 Straight Cymbal Stand

**Model**  
5610 Straight Cymbal Stand

### Parts Listing

- 1 SC-13P2 Wing Nut 8mm
- 2 SC-CFS/4 Small Cymbal felt
- 3A SC-19B Cymbal Sleeve 8mm
- 3B GP-A100 Cymbal Disk
- 4 GP-6062 Cymbal Tilter Assembly
- 5 GP-6055 Wing Nut/Bolt Assembly 8mm
- 6 GP-6059 3/4" Upper Height Adjust Tube
- 7 GP-6229 Wing/Short Bolt Set 6mm
- 8 GP-6081 Nylon Inner Sleeve 3/4" (not shown)
- 9 GP-6060 Middle Shaft
- 10 GP-6215 Nylon Inner Sleeve 7/8" (not shown)
- 11 GP-6267 Wing / Bolt
- 12 GP-6058 Lower Base Assembly
- 13 SC-0009 Wing Bolt 8mm
- 14 GP-6241 Rubber Foot



## 9813DP Tripod Tom Stand

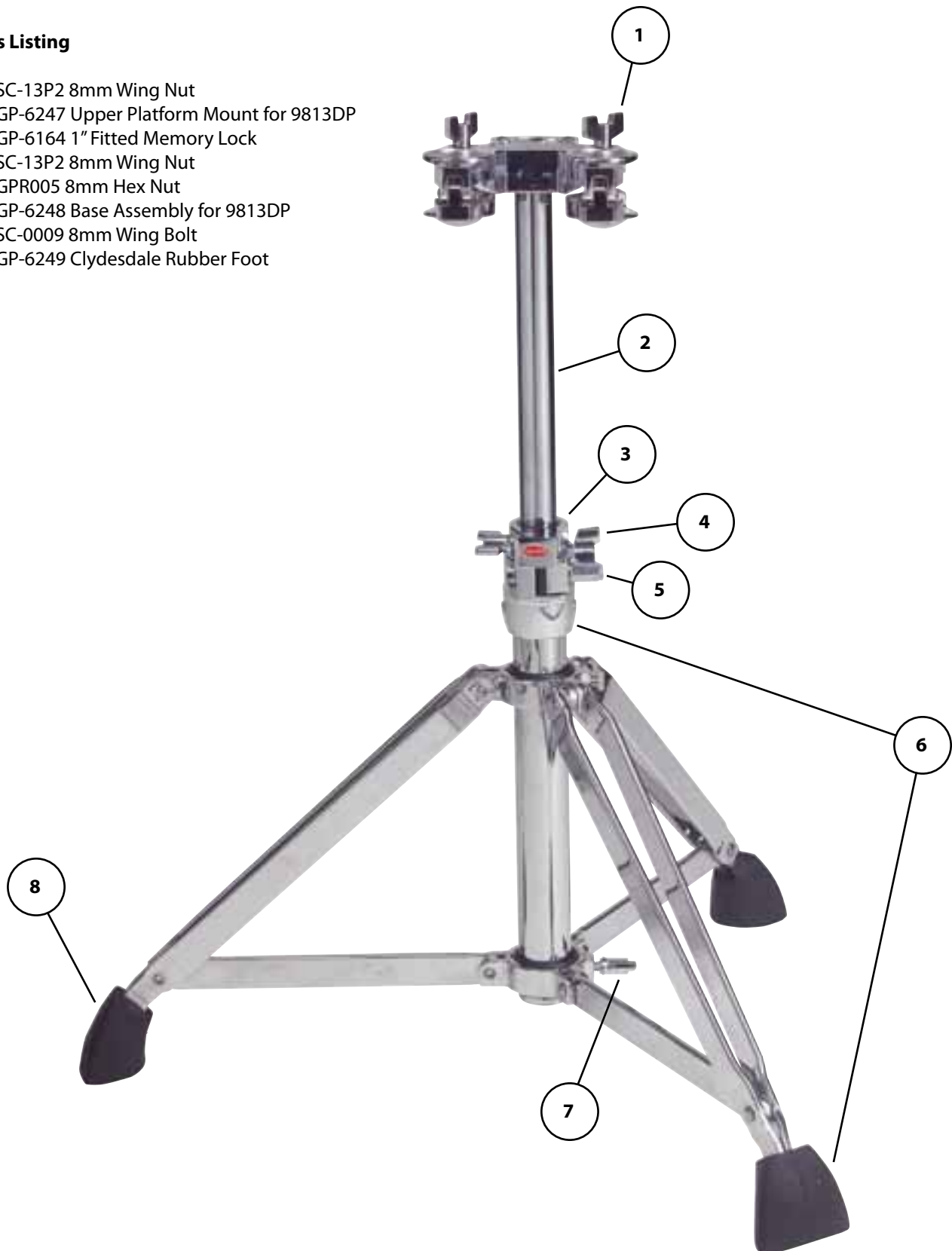


### Model

9813DP Tripod Tom Stand

### Parts Listing

- 1 SC-13P2 8mm Wing Nut
- 2 GP-6247 Upper Platform Mount for 9813DP
- 3 GP-6164 1" Fitted Memory Lock
- 4 SC-13P2 8mm Wing Nut
- 5 GPR005 8mm Hex Nut
- 6 GP-6248 Base Assembly for 9813DP
- 7 SC-0009 8mm Wing Bolt
- 8 GP-6249 Clydesdale Rubber Foot



## 9613PM 3-Mount Platform Stand



### Model

9613PM 3-Mount Platform Stand

### Parts Listing

- 1 GP-6243 C-Clamp
- 2 GP-6244 8mm Wing Bolt
- 3 SC-13P2 8mm Wing Nut
- 4 GPR005 8mm Hex Nut
- 5 GP-6245 Upper Tube w/adjustable platform mount
- 6 GP-6164 1" fitted memory lock
- 7 GP-5117 6mm Wing Nut/Bolt Set (short)
- 8 GP-6274 Stand Base Assembly
- 9 GP-6275 Rubber Foot
- 10 SC-0009 8mm Wing Bolt





## 7614 Concert Cymbal Stand

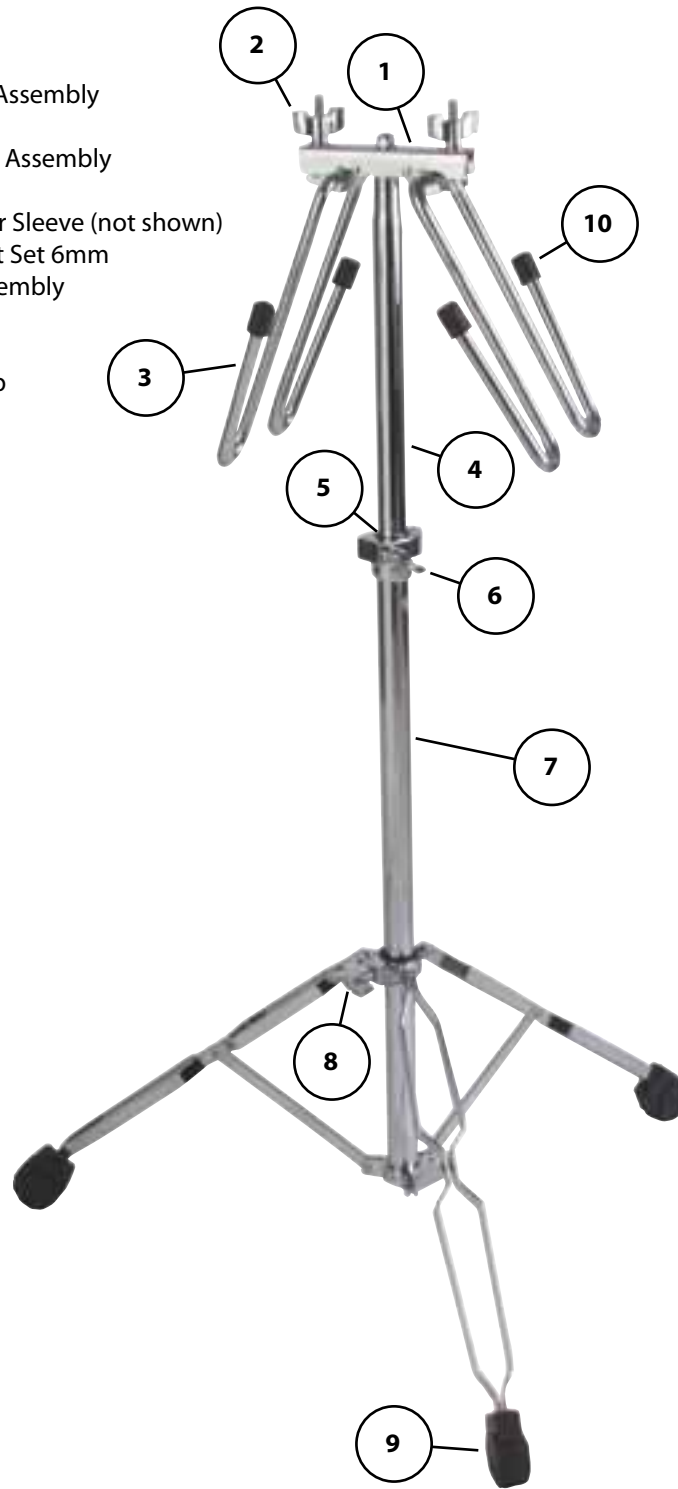


### Model

7614 Concert Cymbal Stand

### Parts Listing

- 1 GP-5021 Hanger Clamp Assembly
- 2 SC-13P2 Wing Nut 8mm
- 3 GP-5019 Cymbal Hanger Assembly
- 4 GP-5022 Upper Tube
- 5 GP-6215 7/8" Nylon Inner Sleeve (not shown)
- 6 GP-6276 Wing/Short Bolt Set 6mm
- 7 GP-6237 Lower Base Assembly
- 8 SC-0009 Wing Bolt 8mm
- 9 GP-6241 Rubber Foot
- 10 GP-6231 Rubber End Cap



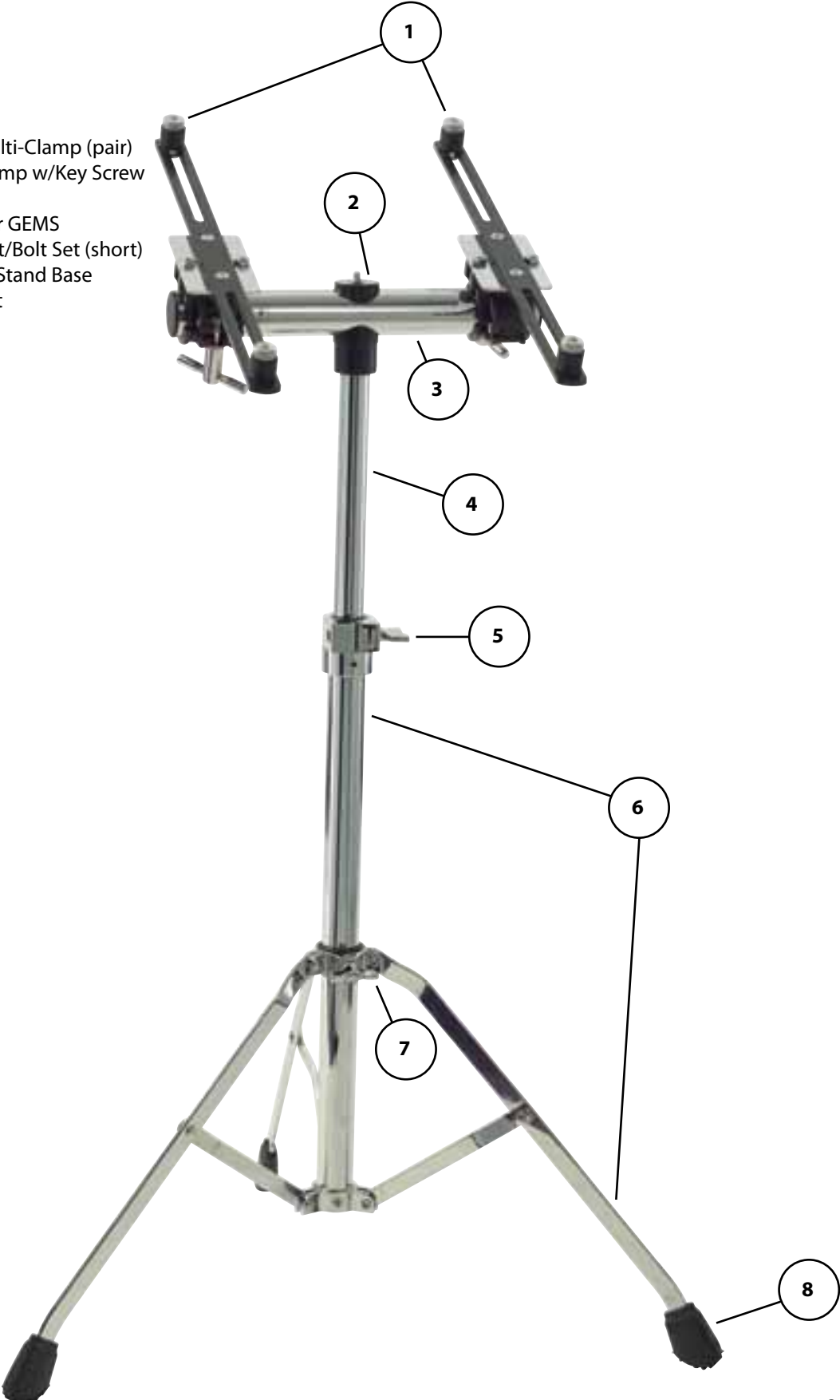
# GEMS Electronic Mounting Stand



Model  
GEMS

### Parts Listing

- 1 SC-GEMC Electronic Multi-Clamp (pair)
- 2 GP-6252 Fixed Tube Clamp w/Key Screw
- 3 GP-6272 12" Fixed Tube
- 4 GP-6251 Upper Tube for GEMS
- 5 GP-5117 6mm Wing Nut/Bolt Set (short)
- 6 GP-6250 Single Braced Stand Base
- 7 SC-0009 8mm Wing Nut
- 8 GP-6266 Rubber Foot



## GPRWS Percussion Workstation



### Model

GPRWS Percussion Workstation

### Parts Listing

- 1 GPRPB-36 36" Percussion Bar
- 2 SC-4425B-1 Cymbal Boom Arm
- 3 SC-GPRMC Multi-Clamp
- 4 SC-GPRML Power Rack Memory Lock
- 5 GPRPT Percussion Table w/Mounting Arm
- 6 SC-GPR36 36" Vertical Rack Tube
- 7 SC-GPREX Power Rack Extension Clamp
- 8 SC-GPRTC T-Clamp
- 9 SC-GPRLB Leg Brace
- 10 SC-GPRTLA T-Leg Assembly Complete
- 11 SC-GPR30 30" Horizontal Rack Tube



## 9516 Deluxe Bongo Stand

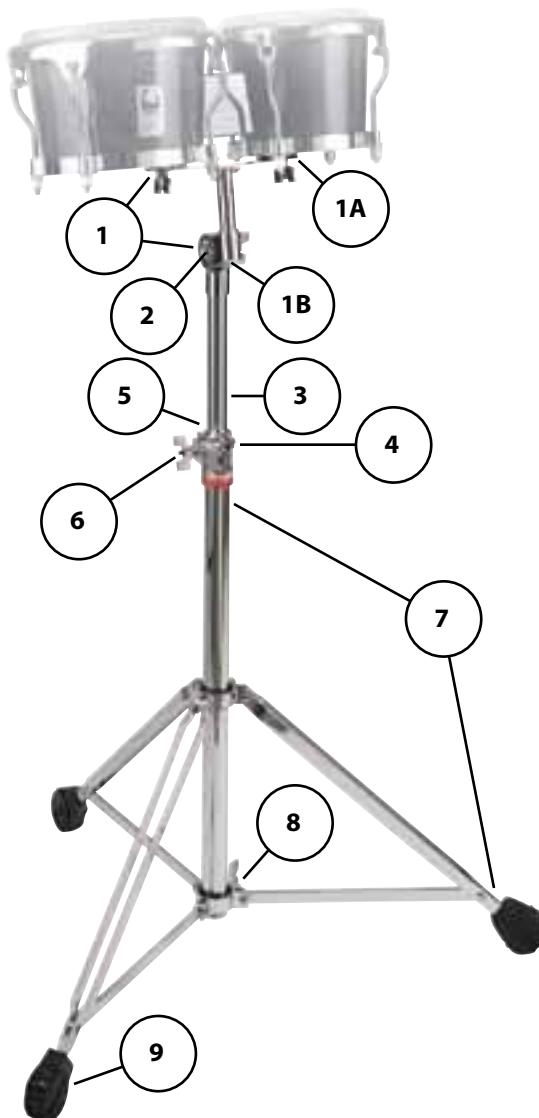


### Model

9516 Deluxe Bongo Stand

### Parts Listing

- 1 GP-5027 Bongo Mount Assembly Complete
- 1A GP-2092 Bongo Shell Brace
- 1B GP-2091 Mounting Plate Only
- 2 GP-2087 Tilter Ratchet Bolt Kit
- 3 GP-2094 Upper Shaft
- 4 GP-6164 1" Fitted Memory Lock
- 5 GP-2002 1" Inner Bushing
- 6 GP-5117 Bolt Set, Long
- 7 GP-2215 Lower Base Assembly
- 8 SC-0009 8mm Wing Bolt
- 9 SC-PC09 Rubber Foot



## 9517 Double Conga Stand



### Model

9517 Double Conga Stand

### Parts Listing

- 1 GP-2095 Top Wing Nut w/Washer
- 2 GP-2086 Upper Shaft
- 3 GP-2093 Conga Shell Support
- 4 GP-6164 1" Fitted Memory Lock
- 5 GP-2002 1" Inner Bushing
- 6 GP-5117 Bolt Set, Long
- 7 SC-6082 Lower Base Assembly
- 8 GP-6081 Nylon Inner Sleeve 3/4" (not shown)
- 9 SC-PC09 Rubber Foot
- 10 SC-0009 8mm Wing Bolt (not shown)



## GDS Djembe Stand



### Model

GDS Djembe Stand

### Parts Listing

- 1 GP-5040 Drum Support Arm
- 2 GP-5041 Tilter Boom Assembly Complete
- 2A GP-5041A Vertical T-Arm Only
- 2B GP-5041B Height Adjust Tube w/Tension Knob
- 3 GP-5249 Extension Support Arm
- 4 GP-5080 Base Assembly Complete
- 5 SC-RF Rubber Foot



## GPDS Pro Djembe Stand



### Model

GPDS Pro Djembe Stand

### Parts Listing

- 1 GP-5230 Upper Basket Support
- 2 GP-4042 Tilter Ratchet Hardware
- 3 GP-4043 Basket Shaft
- 4 GP-6030 Wing/Short Bolt Set 6mm
- 5 GP-5231 Lower Djembe Support Tube
- 6 GP-4091 2 Point Boom Adjust Mechanism (large)
- 7 GP-2016 Upper Shaft
- 8 GPR005 8mm Hex Nut
- 9 GP-6283 8mm Wing Bolt
- 10 GP-5232 Lower Base Assembly
- 11 SC-0009 8mm Wing Bolt



## GCS-M, GCS-L Single Conga Stands



### Model

GCS-M, GCS-L Single Conga Stands

### Parts Listing

- 1 GP-5035 Slot Mount Conga Support, Chrome
- 2 GP-4083 Wing T-Bolt w/Washer
- 3 GP-3001 Upper Stand Assembly for GCS-M
- 3a GP-3002 Upper Stand Assembly for GCS-L
- 4 GP-2097 Height Adjust Bolt Kit
- 5 GP-4087 Leg Brace Assembly Complete
- 6 GP-4085 Leg Brace Bolt Kit
- 7 GP-4088 Leg w/Rubber Foot





## GCS-LSP Single Conga Stand Low



### Model

GCS-LSP Single Conga Stand Low

### Parts Listing

- 1 GP-5036 Slot Mount Conga Support, Black
- 2 GP-4083 Wing T-Bolt w/Washer
- 3 GP-5038 Upper Stand Assembly
- 4 GP-4085 Leg Brace Bolt Kit
- 5 GP-5039 Leg w/Rubber Sleeve



## GPRGS-L Large Gong Stand

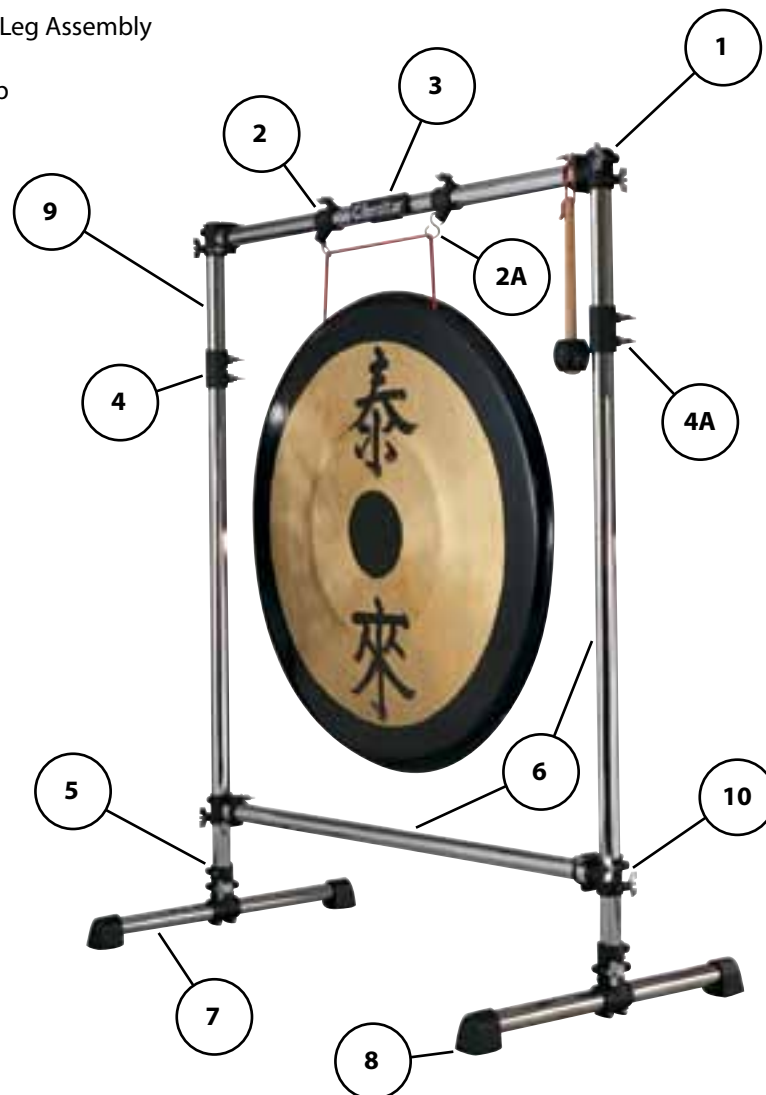


### Model

GPRGS-L Large Gong Stand

### Parts Listing

- 1 SC-GPRTL T-Leg Clamp
- 2 GP-GPRGC Gong Clamp for S-Hook
- 2a GP-GPRSH S-Hook to Hold Gong onto Clamp
- 3 GPRLOGO Logo Badge for Rack Tube
- 4 SC-GPREX Power Rack Extension Clamp
- 4a GPR009 Clamp Bolt and Wing Nut Set 6mm
- 5 SC-GPRML Power Rack Memory Lock
- 6 SC-GPR43.5 43.5" Rack Tube
- 7 SC-GPR20 20" Rack Tube
- 8 SC-RF Rubber Foot for T-Leg Assembly
- 9 SC-GPR12 12" Rack Tube
- 10 SC-GPRTL 2" T-Leg Clamp



# 9608 Thrones



**Model**

9608 Thrones

**Parts Listing**

- 1 Seat top, cushion only  
S9608R Round Vinyl Seat  
S9608OS Oversized Cordura Moto Style Seat  
S9608D Dome Seat  
S9608SFT Soft Seat  
S9608M Moto Style Seat  
S9608VA Round Vinyl Seat with velcro strip  
S9608HM Hydraulic Moto Style Seat
- 2A B9608 Throne Base
- 2B B9608H Throne Base
- 3 GP-0034 Threaded Post
- 4 SC-HML78 Memory Lock
- 5 GP-5044 Base Clamp Hardware
- 6 SC-0009 8mm Wing Bolt
- 7 GP-6012 Stabilizer Super Foot
- 8 GP-0029 Seat Bracket Only
- 9 GP-5139 Seat Plate Mount Only
- 10 GBR Back Rest



S9608OS



S9608D



S9608SFT



S9608M



S9608HM



S9608NRG



## 6608 Throne



**Model**  
6608 Throne

### Parts Listing

- 1 GP-ML7/8 7/8" Memory Lock
- 2 SC-0009 8mm Wing Bolt
- 3 GP-6172 Rubber Foot
- 4 GP-6171 Seat Bracket and Wing Nut
- 5 S6608M Moto Style Seat Top



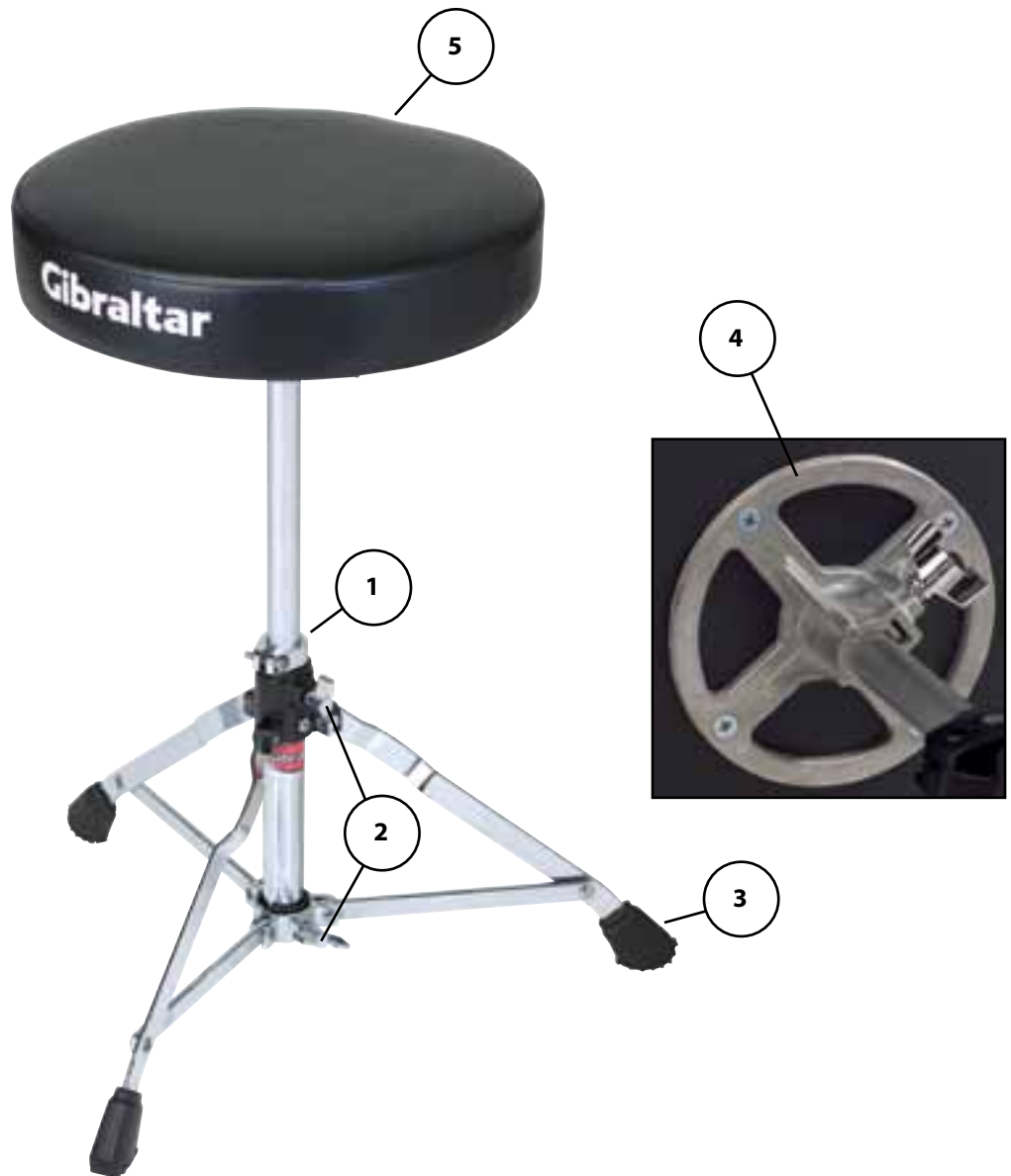
## 5608 Throne



**Model**  
5608 Throne

### Parts Listing

- 1 GP-ML7/8 7/8" Memory Lock
- 2 GP-6013 8mm Wing Bolt
- 3 GP-6266 Rubber Foot
- 4 GP-6171 Seat Bracket and Wing Nut
- 5 S5608R Seat Top



## 3308VA Throne



**Model**  
3308VA Throne

### Parts Listing

- 1 GP-ML7/8 7/8" Memory Lock
- 2 SC-0009 8mm Wing Bolt
- 3 GP-6172 Rubber Foot
- 4 GP-6171 Seat Bracket and Wing Nut
- 5 S3308VA Seat Top





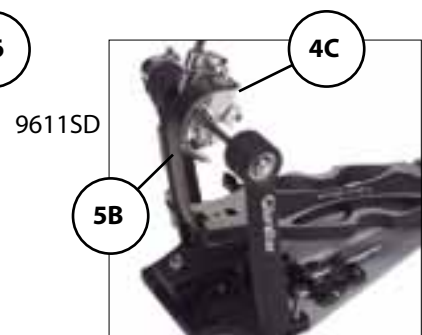
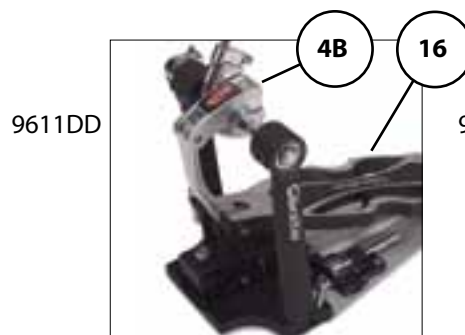
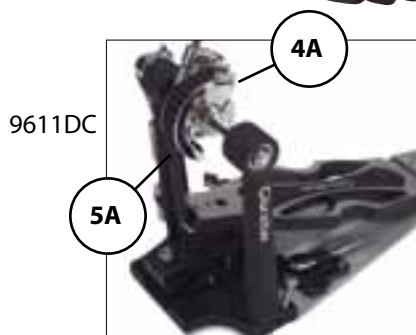
## NEW for 2009 - 9611 Intruder Single Bass Drum Pedals

### Models

9611DC Gibraltar Intruder Single Pedal Dual Chain  
 9611DD Gibraltar Intruder Single Pedal Direct Drive  
 9611SD Gibraltar Intruder Single Pedal Strap Drive

### Parts Listing

- 1 SC-DSAB Dual-Surface Adjusting Beater
- 2 GP-6000 Beater Holder
- 3 GP-6001 Beater Shaft Memory Lock
- 4A GP-5071 Chain Cam w/ Chain
- 4B GP-6005 Direct Drive Mechanism
- 4C GP-6011 Strap Cam Assembly
- 5A GP-4007 Dual Chain Assembly
- 5B GP-6140 Replacement Strap
- 6 GP-6255 Wing Bolt for Hoop Clamp
- 7 GP-6002 Spring Rocker Hub
- 8 GP-5096 Spring Assembly
- 9 GP-6280 Spring Tension Assembly
- 10 GRP3 Aluminum Rock Plate
- 11 GP-6256 Hoop Clamp Assembly
- 12 GP-2000 Pedal Board Hinge
- 13 GP-6130 Pedal Board Complete
- 14 GP-6131 Heel Plate
- 15A GP-6132 Upper Footboard Reg Version
- 15B GP-6132B Upper Footboard DD Version
- 16 GP-6239 Pedal Board for DD Model





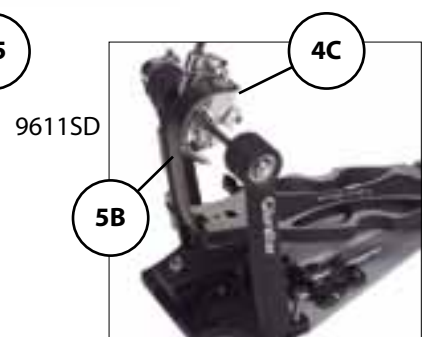
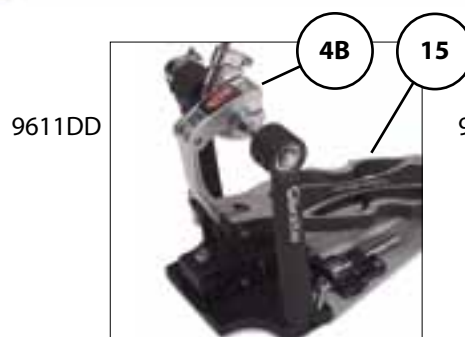
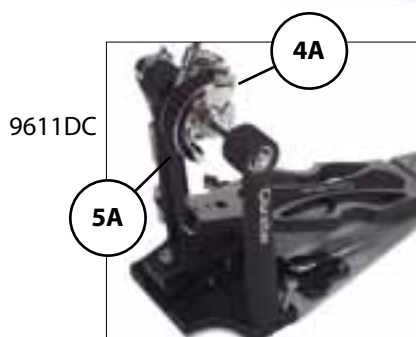
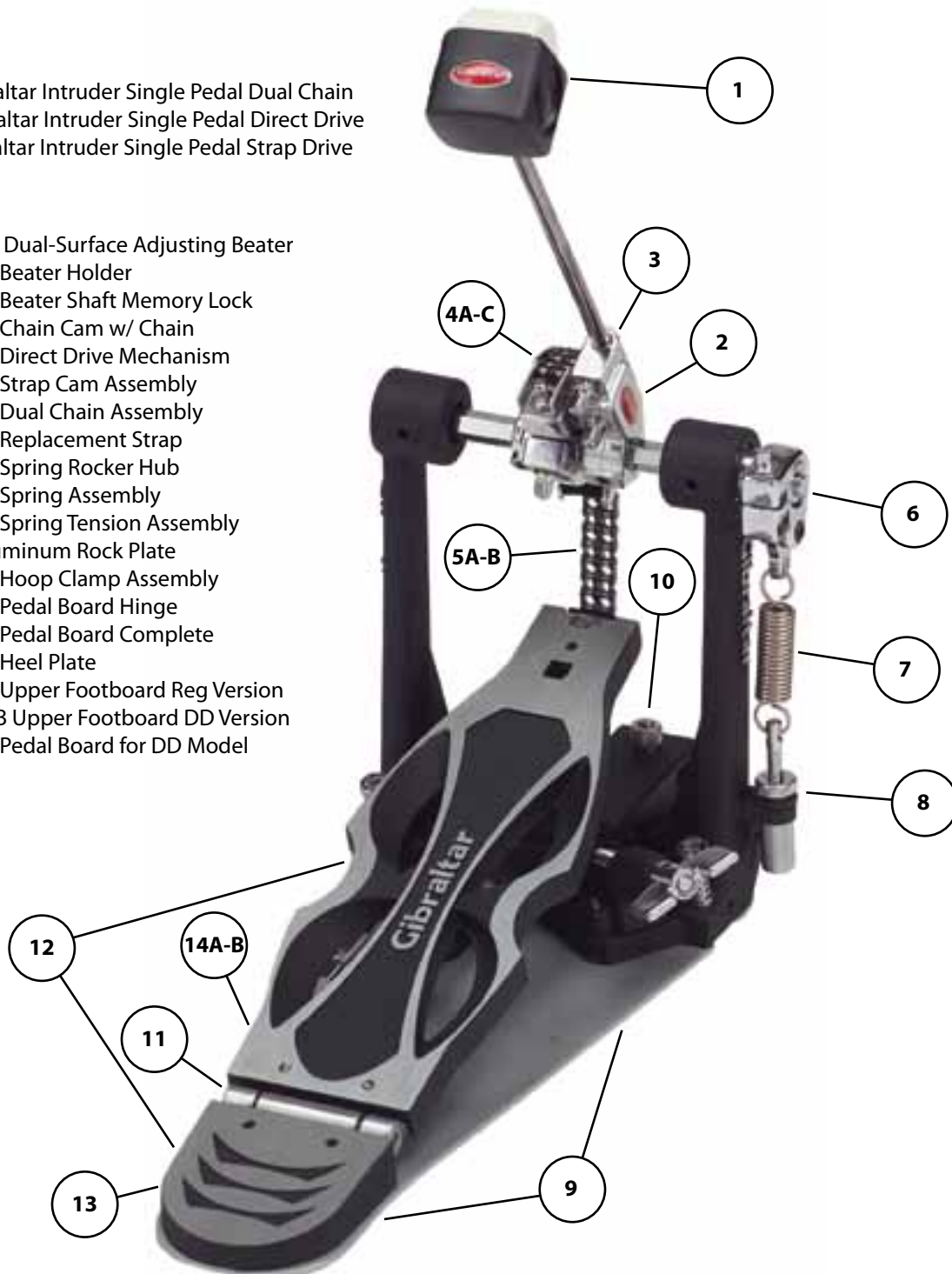
## Pre-2009 9611 Intruder Single Bass Drum Pedals

### Models

9611DC Gibraltar Intruder Single Pedal Dual Chain  
 9611DD Gibraltar Intruder Single Pedal Direct Drive  
 9611SD Gibraltar Intruder Single Pedal Strap Drive

### Parts Listing

- 1 SC-DSAB Dual-Surface Adjusting Beater
- 2 GP-6000 Beater Holder
- 3 GP-6001 Beater Shaft Memory Lock
- 4A GP-5071 Chain Cam w/ Chain
- 4B GP-6005 Direct Drive Mechanism
- 4C GP-6011 Strap Cam Assembly
- 5A GP-4007 Dual Chain Assembly
- 5B GP-6140 Replacement Strap
- 6 GP-6002 Spring Rocker Hub
- 7 GP-5096 Spring Assembly
- 8 GP-6280 Spring Tension Assembly
- 9 GRP3 Aluminum Rock Plate
- 10 GP-5074 Hoop Clamp Assembly
- 11 GP-2000 Pedal Board Hinge
- 12 GP-6130 Pedal Board Complete
- 13 GP-6131 Heel Plate
- 14A GP-6132 Upper Footboard Reg Version
- 14B GP-6132B Upper Footboard DD Version
- 15 GP-6239 Pedal Board for DD Model





**NEW for 2009 - 9611 Intruder  
Double Bass Drum Pedals**

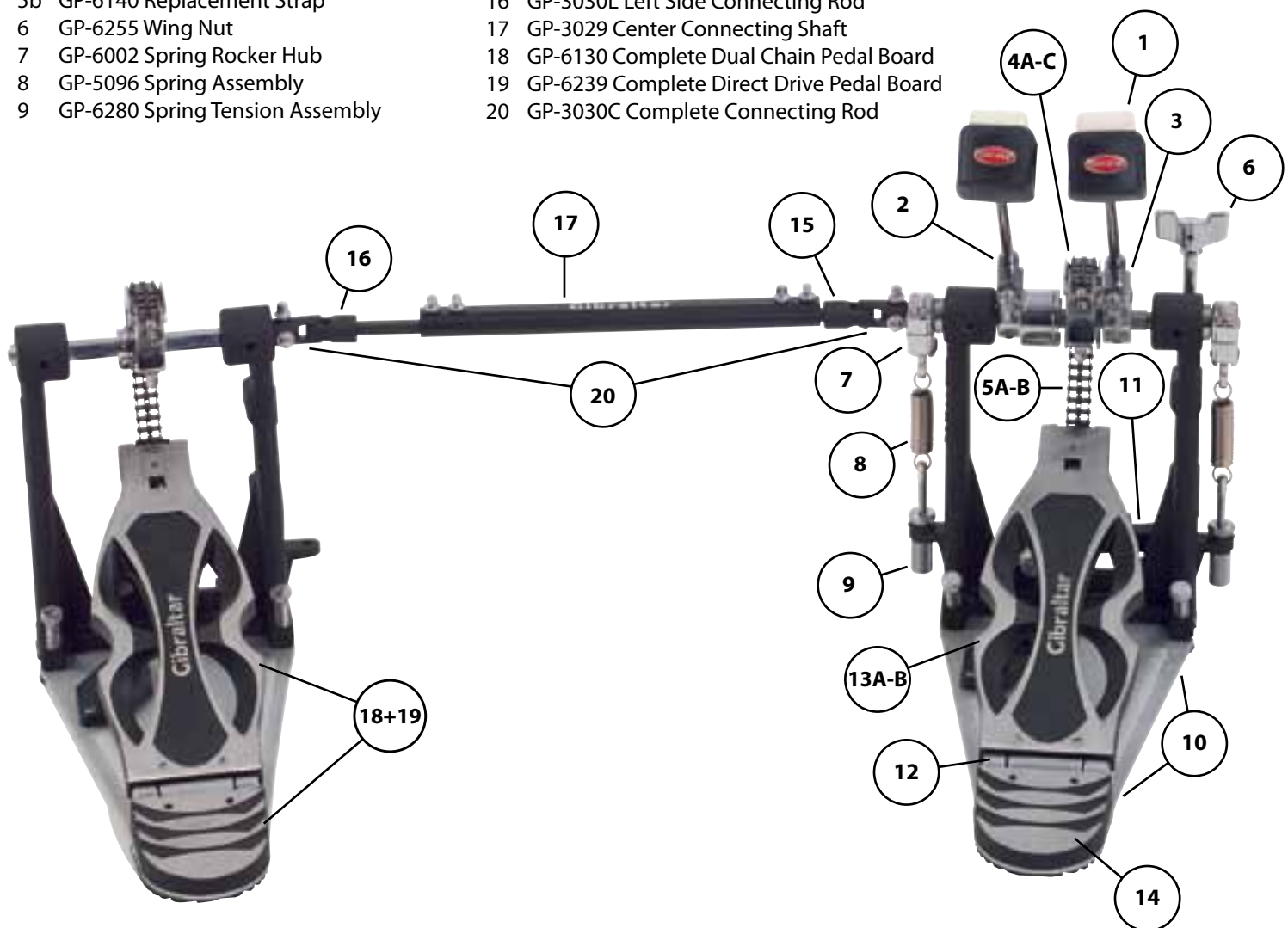


**Models**

- 9611DC-DB Gibraltar Intruder BDL Pedal Dual Chain
- 9611DD-DB Gibraltar Intruder DBL Pedal Direct Drive
- 9611SD-DB Gibraltar Intruder DBL Pedal Strap Drive

**Parts Listing**

- |    |                                       |     |   |
|----|---------------------------------------|-----|---|
| 1  | SC-DSAB Dual-Surface Adjusting Beater | 10  | GRP3 Aluminum Rock Plate                  |
| 2  | GP-6000 Beater Holder                 | 11  | GP-6256 Hoop Clamp Assembly               |
| 3  | GP-6001 Beater Shaft Memory Lock      | 12  | GP-2000 Pedal Board Hinge                 |
| 4a | GP-5071 Chain Cam w/ Chain            | 13a | GP-6132 Upper Pedal Board                 |
| 4b | GP-6005 Direct Drive Mechanism        | 13b | GP-6132B Upper Pedal Board                |
| 4c | GP-6011 Strap Cam Assembly            | 14  | GP-6131 Heel Plate                        |
| 5a | GP-4007 Dual Chain Assembly           | 15  | GP-3030R Right Side Connecting Rod        |
| 5b | GP-6140 Replacement Strap             | 16  | GP-3030L Left Side Connecting Rod         |
| 6  | GP-6255 Wing Nut                      | 17  | GP-3029 Center Connecting Shaft           |
| 7  | GP-6002 Spring Rocker Hub             | 18  | GP-6130 Complete Dual Chain Pedal Board   |
| 8  | GP-5096 Spring Assembly               | 19  | GP-6239 Complete Direct Drive Pedal Board |
| 9  | GP-6280 Spring Tension Assembly       | 20  | GP-3030C Complete Connecting Rod          |



## Pre-2009 9611 Intruder Double Bass Drum Pedals

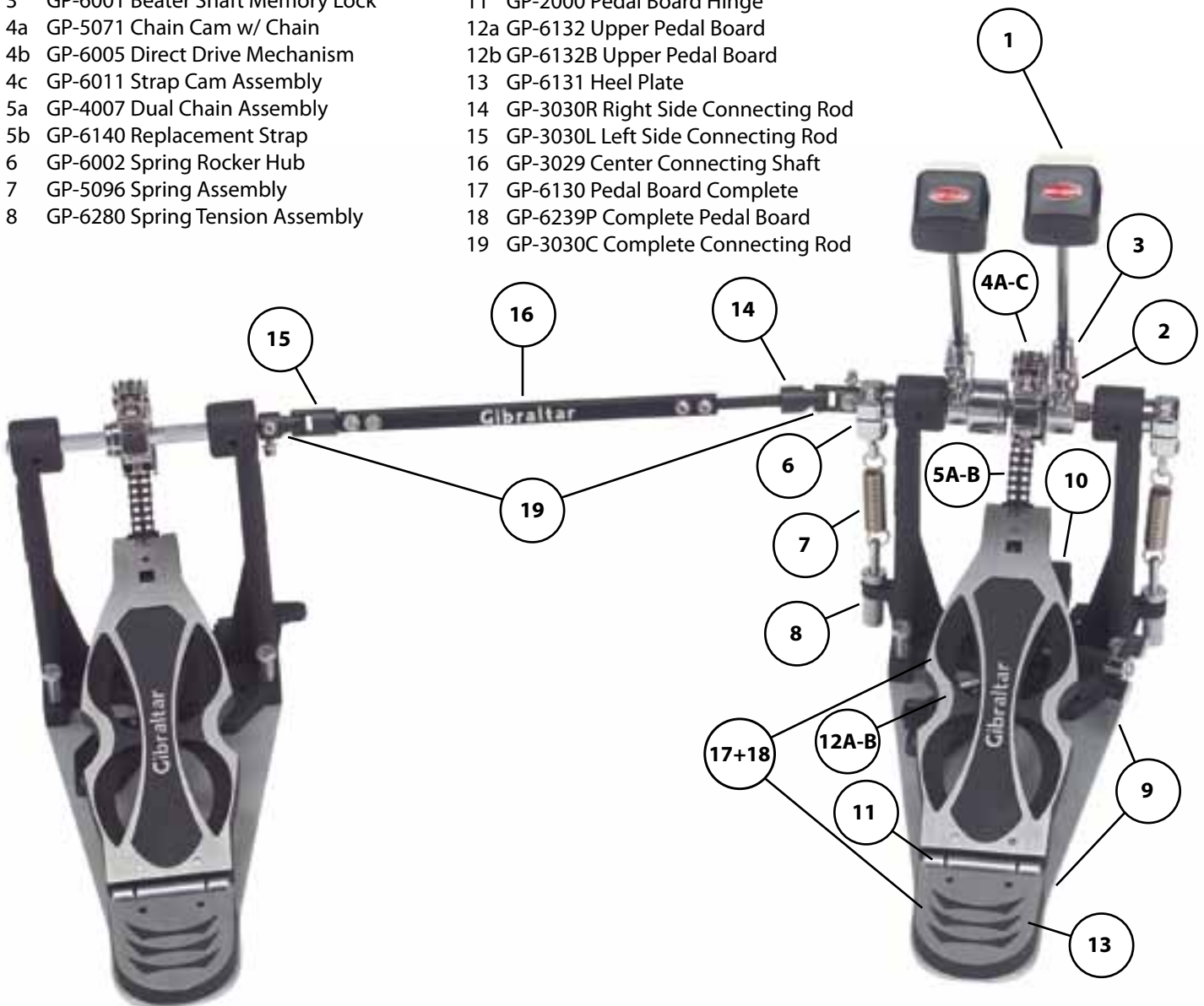


### Models

9611DC-DB Gibraltar Intruder BDL Pedal Dual Chain  
 9611DD-DB Gibraltar Intruder DBL Pedal Direct Drive  
 9611SD-DB Gibraltar Intruder DBL Pedal Strap Drive

### Parts Listing

- |    |                                       |     |                                    |
|----|---------------------------------------|-----|------------------------------------|
| 1  | SC-DSAB Dual-Surface Adjusting Beater | 9   | GRP3 Aluminum Rock Plate           |
| 2  | GP-6000 Beater Holder                 | 10  | GP-5074 Hoop Clamp Assembly        |
| 3  | GP-6001 Beater Shaft Memory Lock      | 11  | GP-2000 Pedal Board Hinge          |
| 4a | GP-5071 Chain Cam w/ Chain            | 12a | GP-6132 Upper Pedal Board          |
| 4b | GP-6005 Direct Drive Mechanism        | 12b | GP-6132B Upper Pedal Board         |
| 4c | GP-6011 Strap Cam Assembly            | 13  | GP-6131 Heel Plate                 |
| 5a | GP-4007 Dual Chain Assembly           | 14  | GP-3030R Right Side Connecting Rod |
| 5b | GP-6140 Replacement Strap             | 15  | GP-3030L Left Side Connecting Rod  |
| 6  | GP-6002 Spring Rocker Hub             | 16  | GP-3029 Center Connecting Shaft    |
| 7  | GP-5096 Spring Assembly               | 17  | GP-6130 Pedal Board Complete       |
| 8  | GP-6280 Spring Tension Assembly       | 18  | GP-6239P Complete Pedal Board      |
|    |                                       | 19  | GP-3030C Complete Connecting Rod   |



# Catapult Linear Motion Single Pedal

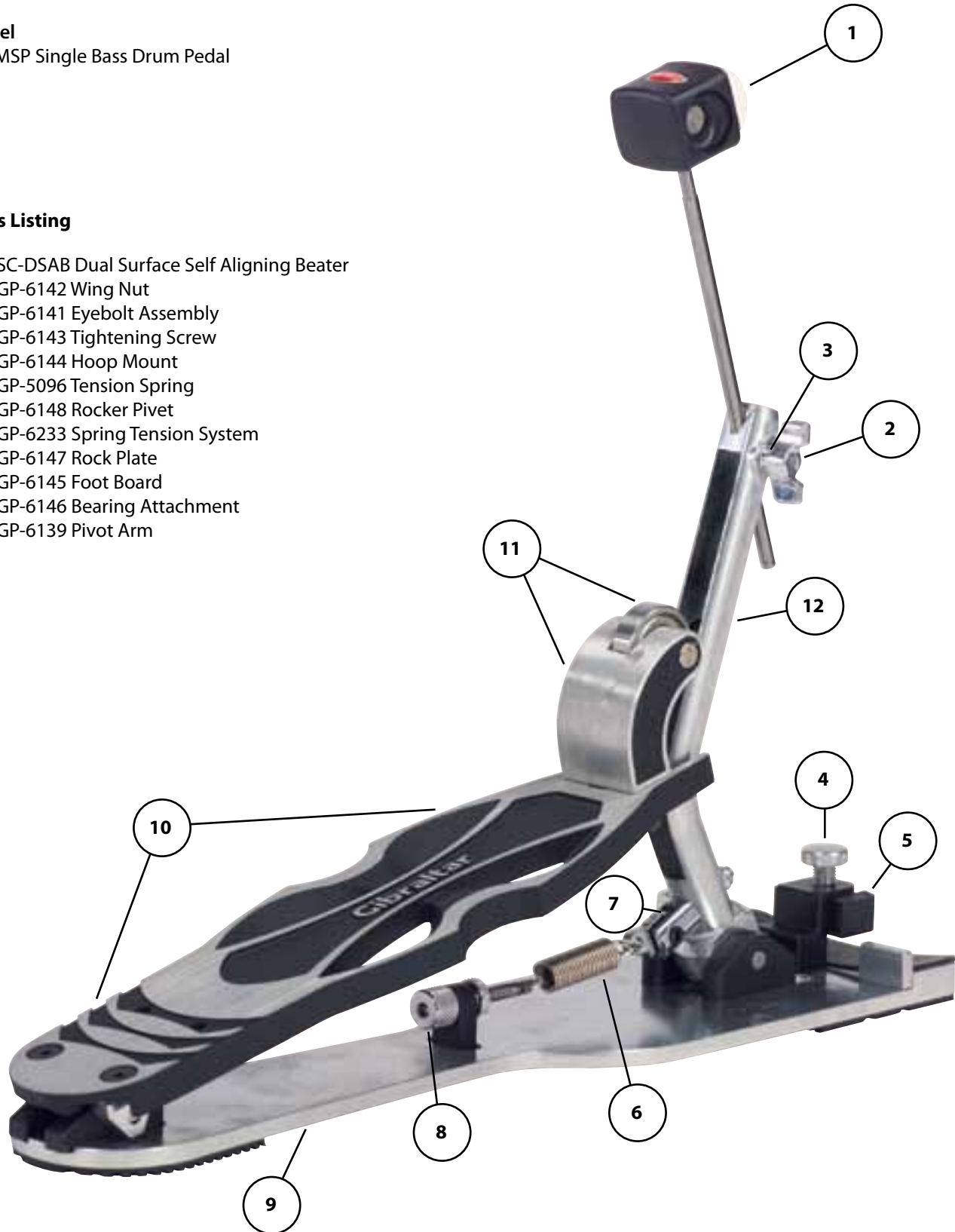


## Model

GCLMSP Single Bass Drum Pedal

## Parts Listing

- 1 SC-DSAB Dual Surface Self Aligning Beater
- 2 GP-6142 Wing Nut
- 3 GP-6141 Eyebolt Assembly
- 4 GP-6143 Tightening Screw
- 5 GP-6144 Hoop Mount
- 6 GP-5096 Tension Spring
- 7 GP-6148 Rocker Pivot
- 8 GP-6233 Spring Tension System
- 9 GP-6147 Rock Plate
- 10 GP-6145 Foot Board
- 11 GP-6146 Bearing Attachment
- 12 GP-6139 Pivot Arm



## 6611 Avenger Single Bass Drum Pedal



### Model

6611 Avenger Dual Chain Single Bass Drum Pedal

### Parts Listing

- 1 SC-LBDB Light Weight BD Beater
- 2 GP-6079 Double Chain Cam
- 3 GP-6064 Beater Holder
- 4 SC-0121 Key Screw 8mm
- 5 GP-6261 Key Screw 6mm
- 6 GP-6262 Fastening Screw 6mm
- 7 GP-6080 Spring Cam Assembly
- 8 GP-5096 Pedal Spring
- 9 GP-6280 Spring Tension Assembly
- 10 GP-6149 Double Chain Assembly
- 11 GP-6150 Pedal Board Complete
- 12 GP-0020 Anchor Spur Assembly
- 13 GP-6065 Black Hoop Clamp
- 14 GP-6066 Hoop Clamp Key Screw 8mm
- 15 GP-6067 Fixed Rock Plate



# 6611DB Avenger Double Bass Drum Pedal

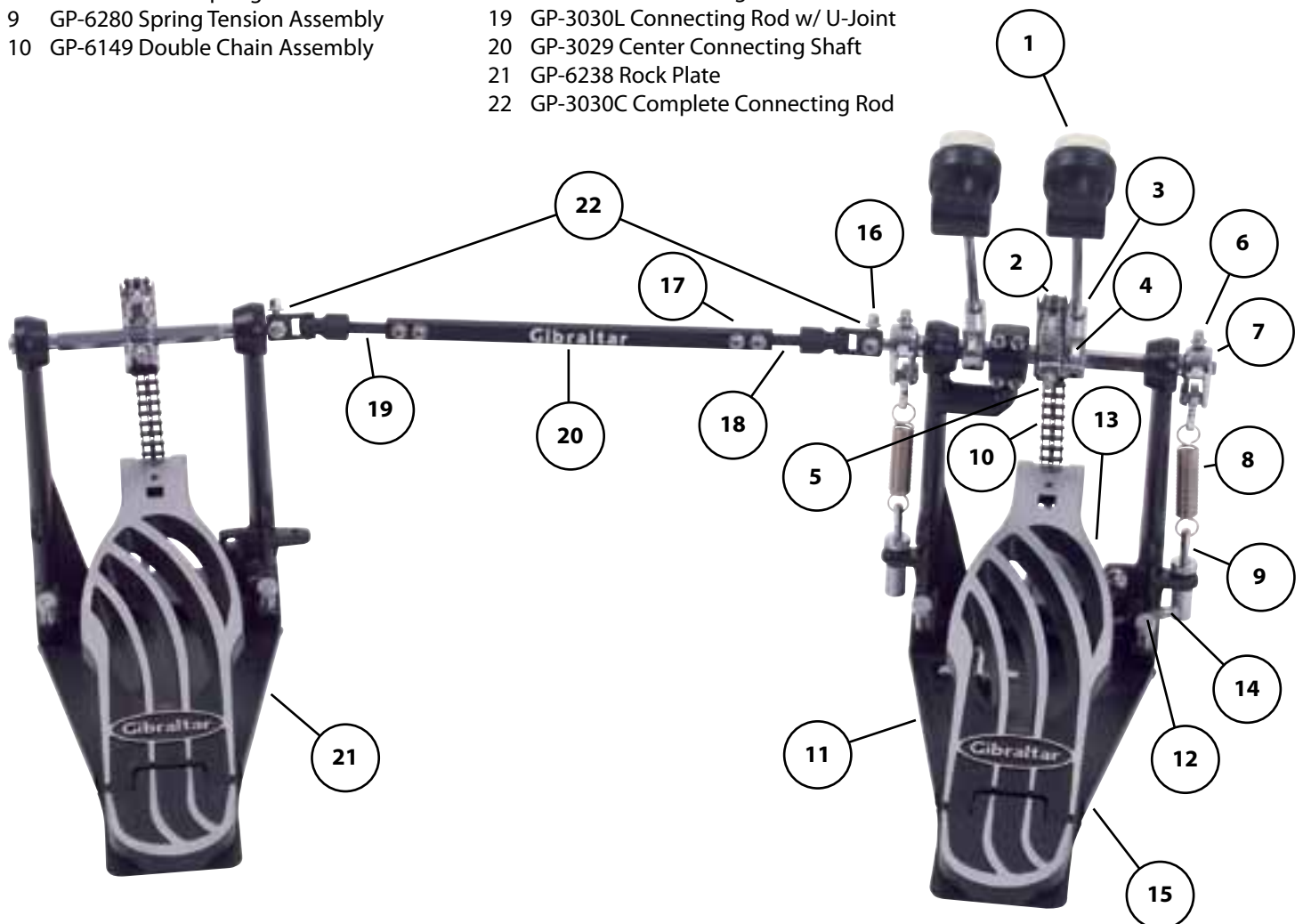


## Model

6611DB Avenger Double Bass Drum Pedal

## Parts Listing

- |    |                                 |    |                                    |
|----|---------------------------------|----|------------------------------------|
| 1  | SC-LBDB Light Weight BD Beater  | 11 | GP-6150 Pedal Board Complete       |
| 2  | GP-6079 Double Chain Cam        | 12 | GP-0020 Anchor Spur Assembly       |
| 3  | GP-6064 Beater Holder           | 13 | GP-6065 Black Hoop Clamp           |
| 4  | SC-0121 Key Screw 8mm           | 14 | GP-6066 Hoop Clamp Key Screw 8mm   |
| 5  | GP-6261 Key Screw 6mm           | 15 | GP-6067 Fixed Rock Plate           |
| 6  | GP-6262 Fastening Screw 6mm     | 16 | GP-6260 Fastening Screw 5mm        |
| 7  | GP-6080 Spring Cam Assembly     | 17 | GP-6261 Key Screw 6mm              |
| 8  | GP-5096 Pedal Spring            | 18 | GP-3030R Connecting Rod w/ U-Joint |
| 9  | GP-6280 Spring Tension Assembly | 19 | GP-3030L Connecting Rod w/ U-Joint |
| 10 | GP-6149 Double Chain Assembly   | 20 | GP-3029 Center Connecting Shaft    |
|    |                                 | 21 | GP-6238 Rock Plate                 |
|    |                                 | 22 | GP-3030C Complete Connecting Rod   |



# 5611 Prowler Single Bass Drum Pedal



**Model**

5611 Prowler Single Bass Drum Pedal

**Parts Listing**

- 1 SC-LBDB Light Weight BD Beater
- 2 GP-6063 Single Chain Cam
- 3 GP-6064 Beater Holder
- 4 SC-0121 Key Screw 8mm
- 5 GP-6261 Key Screw 6mm
- 6 GP-4072 Spring Cam Assembly
- 7 GP-0051 Spring Cam Roller with Screw
- 8 GP-0052 Pedal Spring
- 9 GP-0053 Spring Tension Assembly
- 10 GP-4071 Single Chain Assembly
- 11 GP-6150 Pedal Board Complete
- 12 GP-0020 Anchor Spur Assembly
- 13 GP-6065 Black Hoop Clamp
- 14 GP-6066 Hoop Clamp Key Screw 8mm
- 15 GP-6067 Fixed Rock Plate





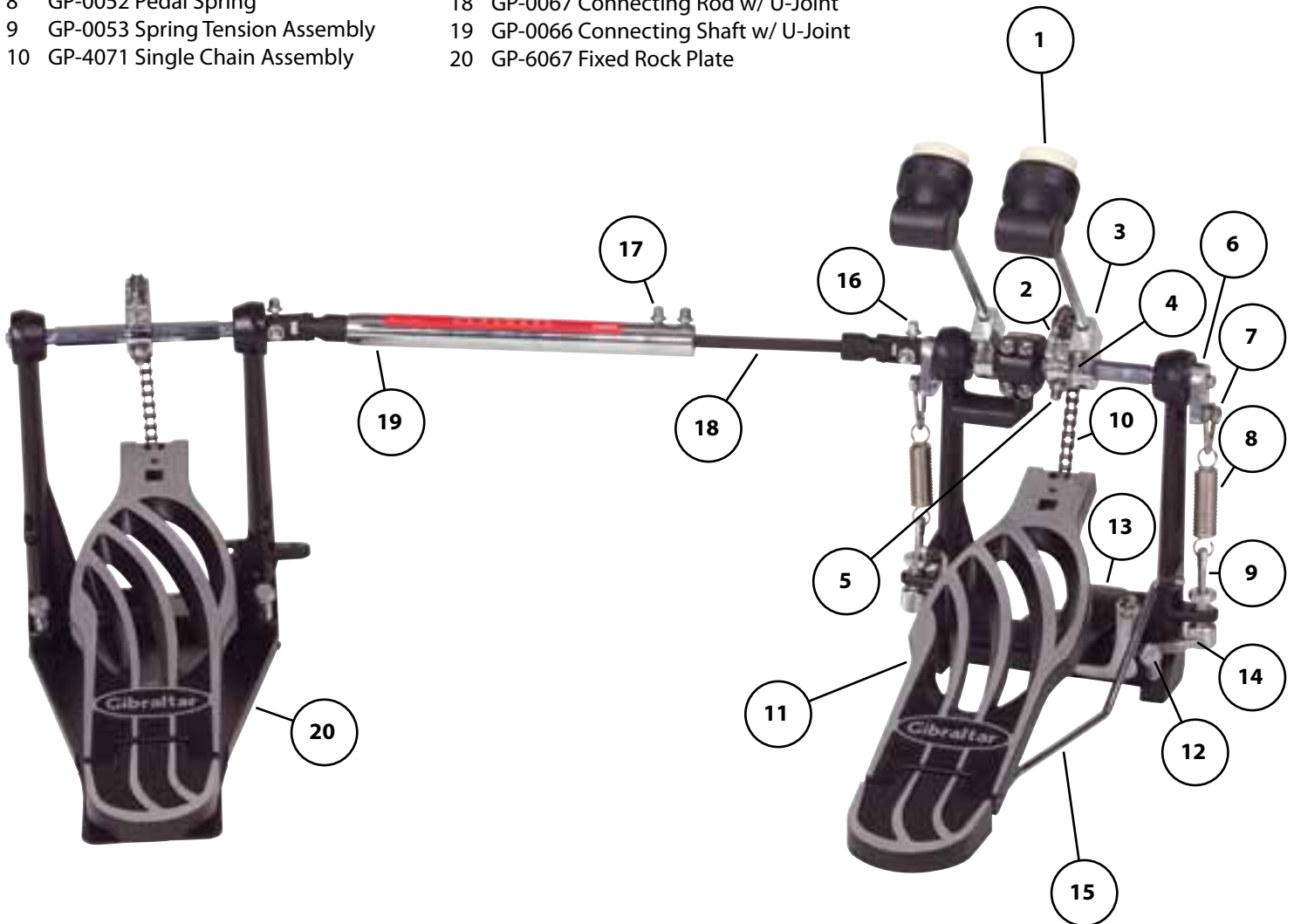
## 5611 Prowler Double Bass Drum Pedal

### Model

5611DB Prowler Double Bass Drum Pedal

### Parts Listing

- |    |                                      |    |                                     |
|----|--------------------------------------|----|-------------------------------------|
| 1  | SC-LBDB Light Weight BD Beater       | 11 | GP-6150 Pedal Board Complete        |
| 2  | GP-6063 Single Chain Cam             | 12 | GP-0020 Anchor Spur Assembly        |
| 3  | GP-6064 Beater Holder                | 13 | GP-6065 Black Hoop Clamp            |
| 4  | SC-0121 Key Screw 8mm                | 14 | GP-6066 Hoop Clamp Key Screw 8mm    |
| 5  | GP-6261 Key Screw 6mm                | 15 | GP-4018 Radius Rod Assembly         |
| 6  | GP-4072 Spring Cam Assembly          | 16 | GP-6260 Fastening Screw 5mm         |
| 7  | GP-0051 Spring Cam Roller with Screw | 17 | GP-6261 Key Screw 6mm               |
| 8  | GP-0052 Pedal Spring                 | 18 | GP-0067 Connecting Rod w/ U-Joint   |
| 9  | GP-0053 Spring Tension Assembly      | 19 | GP-0066 Connecting Shaft w/ U-Joint |
| 10 | GP-4071 Single Chain Assembly        | 20 | GP-6067 Fixed Rock Plate            |





## 3311S Velocity Single Bass Drum Pedal

### Model

3311S Velocity Single Bass Drum Pedal

### Parts Listing

- 1 GP-6151 Bass Drum Beater
- 2 GP-0121 Key Screw
- 3 GP-6152 Replacement Strap
- 4 GP-5172 Spring Cam Assembly
- 5 GP-0051 Spring Cam Roller with Screw
- 6 GP-0052 Pedal Spring
- 7 GP-6153 Spring Tension Assembly
- 8 GP-6154 Hoop Clamp Mount
- 9 GP-6155 Hoop Clamp Mount Screw
- 10 GP-6033 Pedal board Complete
- 11 GP-6046 Radius Rod Assembly
- 12 GP-6156 Beater Holder / Strap CAM





## 3311S Velocity Double Bass Drum Pedal

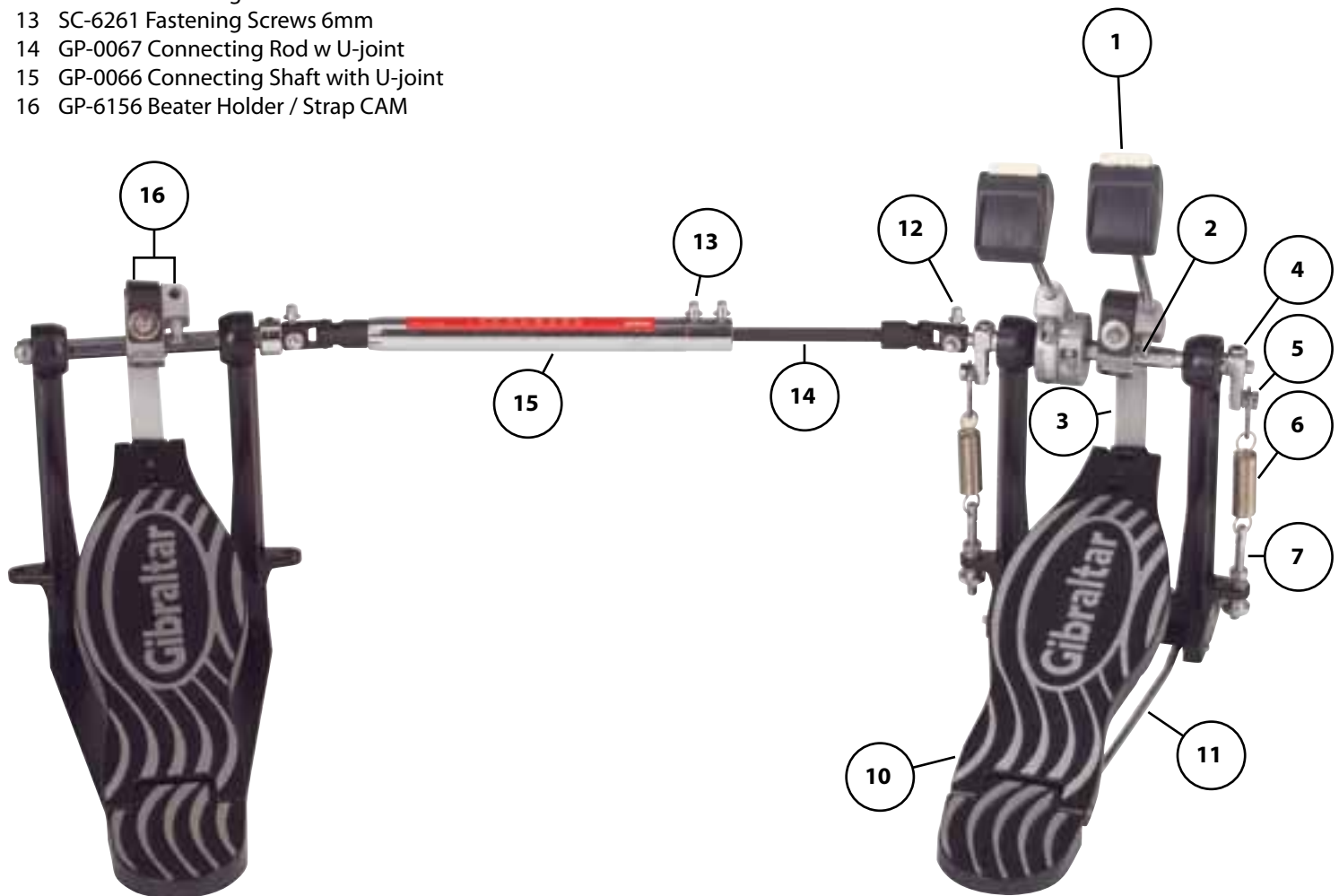
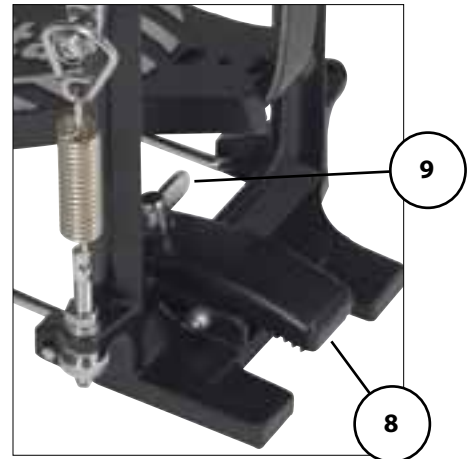


### Model

3311DB Velocity Double Bass Drum Pedal

### Parts Listing

- 1 GP-6151 Bass Drum Beater
- 2 SC-0121 Key Screw
- 3 GP-6152 Replacement Strap
- 4 GP-5172 Spring Cam Assembly
- 5 GP-0051 Spring Cam Roller with Screw
- 6 GP-0052 Pedal Spring
- 7 GP-6153 Spring Tension Assembly
- 8 GP-6154 Hoop Clamp Mount
- 9 GP-6155 Hoop Clamp Mount Screw
- 10 GP-6033 Pedal Board Complete
- 11 GP-6046 Radius Rod Assembly
- 12 SC-6260 Fastening Screw 5mm
- 13 SC-6261 Fastening Screws 6mm
- 14 GP-0067 Connecting Rod w U-joint
- 15 GP-0066 Connecting Shaft with U-joint
- 16 GP-6156 Beater Holder / Strap CAM



# GSVMS Stealth Vertical Mounting System

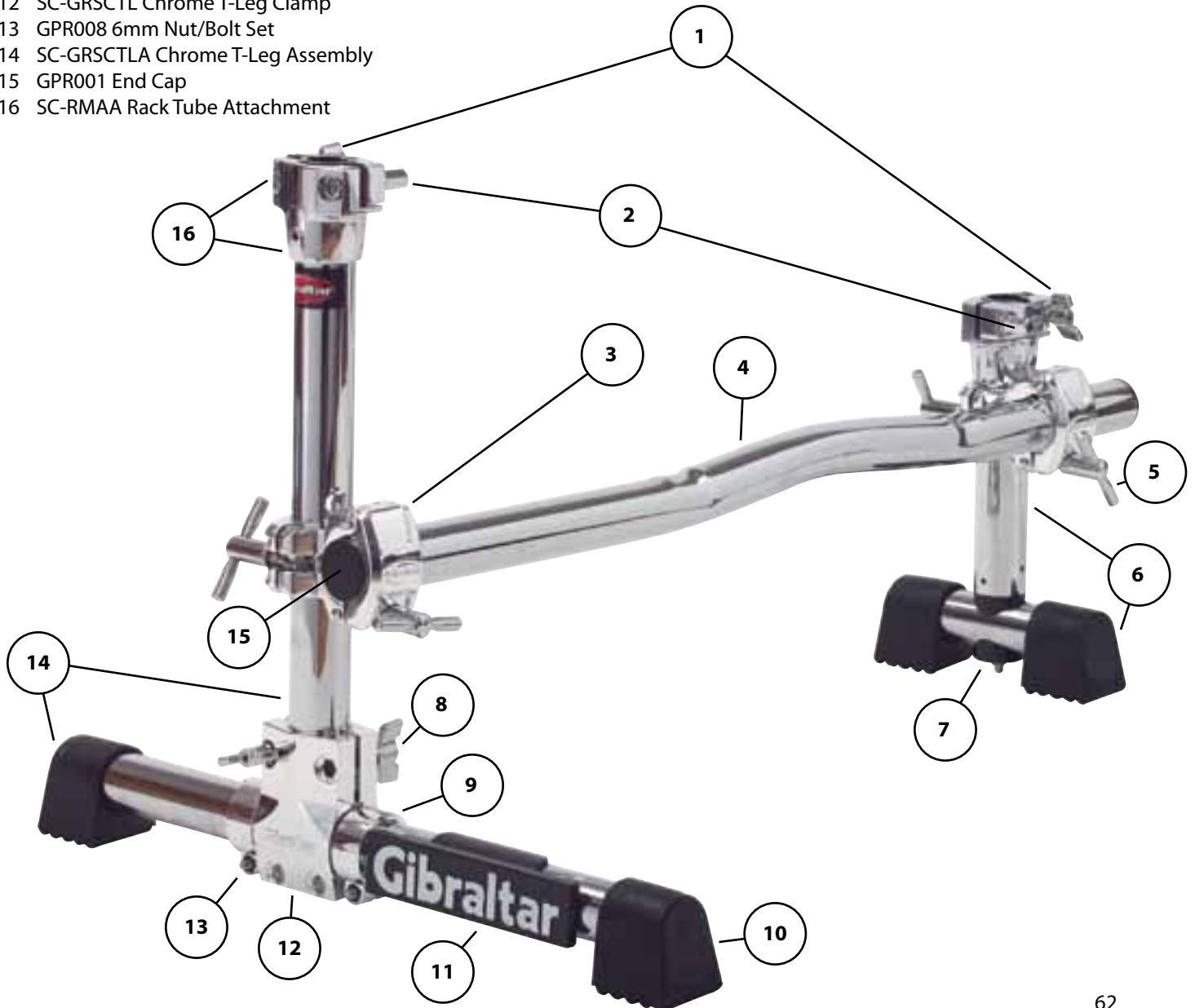


## Model

GSVMS Stealth Vertical Mounting System

## Parts Listing

- 1 SC-13P2 8mm Wing Nut
- 2 GPR005 8mm Hex Nut
- 3 SC-GCRA Chrome Right Angle Clamp
- 4 SC-GPR30B 30" Bent Rack Tube
- 5 GPR004 T-Nut
- 6 GSMTL Mini T-Leg
- 7 GP-6252 Fixed Tube Clamp w/Key Screw
- 8 GPR009 6mm Wing Nut/Bolt
- 9 SC-GPRCML Chrome Memory Lock
- 10 SC-RF Rack Foot
- 11 GPRLOGO Rack Logo Badge
- 12 SC-GRSCTL Chrome T-Leg Clamp
- 13 GPR008 6mm Nut/Bolt Set
- 14 SC-GRSCTLA Chrome T-Leg Assembly
- 15 GPR001 End Cap
- 16 SC-RMAA Rack Tube Attachment



## GP08 Practice Pad Set



### Model

GP08 Practice Pad Set

### Parts Listing

- 1 GP-3020 Heavy Duty Practice Pad
- 2 PRMC Plastic Multi-Clamp
- 3 GP-3019 Pad Mounting Arm (short)
- 4 PRTC Plastic T-Clamp
- 5 GP-3018 Pad Mounting Arm (long)
- 6 SC-13P2 8mm Wing Nut
- 7 GP-3016 L-Rod Pad Holder
- 8 GPR005 8mm Hex Nut
- 9 GP-6253 Brace for Bass Pad
- 10 GP-4094 Rubber Bass Drum Pad
- 11 SC-RF Rack Foot
- 12 GP-6252 Fixed T-Leg Assembly
- 13 GP-6254 Full T-Leg Unit





# Spare Parts For Gibraltar Rack System

## GRS & GPR Series

 <p>Round Rack Foot Part # SC-RF/R</p>	 <p>Block Style Rack Foot Part # SC-RF</p>	 <p>Rack Tube End Cap Part # GPR001</p>	 <p>SC-RMAA Inserts Part #'s RMAA-1, 34, 78</p>
 <p>T-Nut 8mm Fits Various Rack Clamps Part # GPR004</p>	 <p>Hex Nut for Rack Clamps Part # GPR005</p>	 <p>Washer 8mm for various Rack Clamps Part # GPR006</p>	 <p>Nut &amp; Bolt Set 6mm Part # GPR008</p>
 <p>Bolt &amp; Wing Nut Set 6mm for GPR Series Part # GPR009</p>	 <p>Fixed T-Leg Clamp Assembly Part # GP-6252</p>	 <p>Rubber Nut &amp; Bolt Set 6mm Part # GPR011</p>	 <p>Bolt &amp; Nut Set 6mm for SC-GRSTL Part # GPR012</p>
 <p>Leg Brace Assembly Part # GPRLB</p>	 <p>Plastic Collar for Leg Brace Part # GPR003</p>	 <p>Wing Nut 8mm Part # SC-13P2</p>	 <p>Wing Nut 6mm Part # SC-13P3</p>
 <p>Key Screw for Hinged Memory Lock Part # SC-GRSHKML-TR/W</p>	 <p>Part # RACK KEY</p>	 <p>Rack Logo Badge Part # GPRLOGO</p>	 <p>Rack Logo Badge Part # GRSLOGO</p>



## SC-BDCM Double Conga Bongo Stand Mount

### Model

SC-BDCM Double Conga Bongo Stand Mount

### Parts Listing

- 1 GP-5026 Bongo Mount Assembly
- 2 GP-2087 Tilter Ratchet Bolt Kit
- 3 GP-5129 Upper Shaft
- 4 GP-5233 Bongo Tube Multi-Clamp



## GBSA Bongo Seat Attachment



### Model

GBSA Bongo Seat Attachment

### Parts Listing

- 1 GP-5026 Bongo Mount Assembly
- 2 GP-2087 Tilter Ratchet Bolt Kit
- 3 GP-5234 Short Tube For Bongo Mount
- 4 GP-5235 Rubber Foot For Short Tube
- 5 GP-5236 Extension Tube
- 6 SC-SSMC Super Spanner Multi-Clamp





## 7615 Percussion Table on Double-Braced Stand

### Model

7615 Percussion Table on Double-Braced Stand

### Parts Listing

- 1 GP-3003
- 2 PP040
- 3 GP-6215 Nylon Inner Sleeve 7/8" (not shown)
- 4 GP-6276 Wing/Short Bolt Set 6mm
- 5 SC-0009 8mm Wing Bolt
- 6 GP-6285
- 7 GP-6241 Rubber Foot





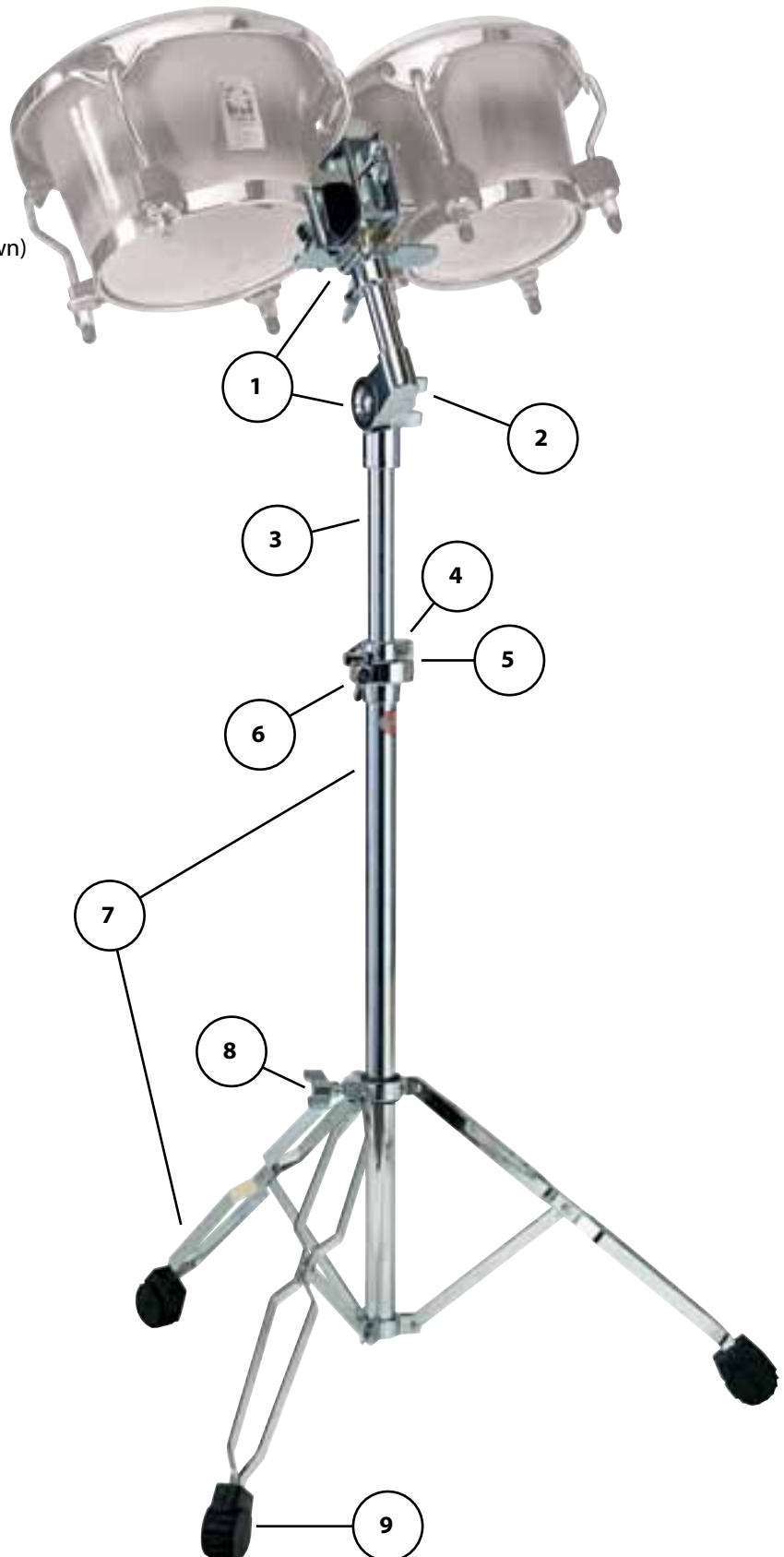
## 7616 Bongo Stand w/Adjustable Clip Mount

### Model

7616 Bongo Stand w/Adjustable Clip Mount

### Parts Listing

- 1 GP-5026
- 2 GP-6052 Wing Nut/Bolt Assembly 8mm
- 3 GP-6284
- 4 GP-6049 7/8" Fitted Memory Lock
- 5 GP-6215 Nylon Inner Sleeve 7/8" (not shown)
- 6 GP-6276 Wing/Short Bolt Set 6mm
- 7 GP-6285
- 8 SC-0009 8mm Wing Bolt
- 9 GP-6241 Rubber Foot





Notes.....



