

Ringer

Grand Symphonic

Professional

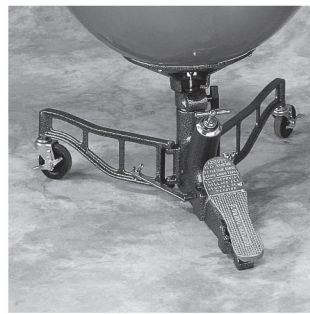
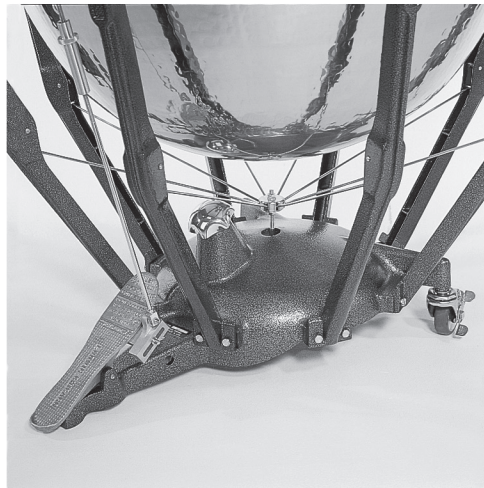
Standard

Universal

Machine

LUDWIG[®]

Timpani Parts Catalog



Ludwig® Timpani Parts Catalog

Ludwig Timpani Features Guide

| FEATURE | RINGER SERIES | GRAND SYMPHONIC SERIES | PROFESSIONAL SERIES | STANDARD SERIES | UNIVERSAL SERIES | MACHINE SERIES |
|--|---------------------------|------------------------|------------------------|--|------------------------|---------------------|
| TUNING SYSTEM | Dresden Style with Clutch | Balanced Action™ Pedal | Balanced Action™ Pedal | Balanced Action™ Pedal | Balanced Action™ Pedal | Single Screw System |
| RANGE | Octave | 7th | 6th | 6th | 6th | 5th |
| 20" DIAMETER | E3-E4 | F3-E4 | F3-D4 | F3-D4 | F3-D4 | F3-C4 |
| 23" DIAMETER | C3-C4 | D3-C3 | D3-B3 | D3-B3 | D3-B3 | D3-A3 |
| 26" DIAMETER | G2-G3 | A2-G3 | A2-F3 | A2-F3 | A2-F3 | A2-E3 |
| 29" DIAMETER | E2-E3 | E2-D3 | E2-C3 | E2-C3 | E2-C3 | F2-C3 |
| 32" DIAMETER | C2-C3 | D2-C2 | D2-B2 | D2-B2 | D2-B2 | D2-A2 |
| TUNING MECHANICS | Outside Bowl | Outside Bowl | Outside Bowl | Inside Bowl | Inside Bowl | Inside Bowl |
| SUSPENDED BOWL | Yes | Yes | Yes | N/A | N/A | N/A |
| FINE ADJUSTMENT TUNING HANDLE | Yes | N/A | N/A | N/A | N/A | N/A |
| TUNING GAUGE OPTION | Ringer Style | Professional Direct | Professional Direct | Professional Direct or Standard Hoop Gauge | Standard Hoop Gauge | Standard Hoop Gauge |
| BOWL MATERIAL | Copper | Copper | Copper/Fiberglass | Copper/Fiberglass | Fiberglass | Fiberglass |
| HAMMERED COPPER BOWL | Only Option | Only Option | Option | N/A | N/A | N/A |
| BASE STYLE | Ringer Style | Full Base Casting | Full Base Casting | Full Base Casting | Folding Legs | 3 Legs |
| SHALLOW DROP COVERS | Standard | Standard | Standard | Standard | Standard | Standard |
| DRUMHEADS | | | | | | |
| LUDWIG WEATHER MASTER SMOOTH WHITE MYLAR | Option | Standard | Standard | Standard | Standard | Standard |
| REMO® RENAISSANCE | Option | Option | Option | Option | N/A | N/A |
| CALF | Standard | N/A | N/A | N/A | N/A | N/A |

Timpani Heads

| Size | Extended Collar | | Regular Collar | | Ringer | |
|------|---------------------------|-------|--|-------|--------------|-------|
| | White | Clear | White | Clear | White | Clear |
| Use | All Drums made After 1978 | | For Standard, Universal, Machine, Made prior to 1978 | | Plastic Only | |

Timpani Heads

| | | | | | | |
|------------|-------|-------|-------|-------|-------|-------|
| 20" / 51cm | C8220 | C8120 | C9220 | C9120 | C8252 | C8152 |
| 23" / 59cm | C8223 | C8123 | C9223 | C9123 | C8258 | C8158 |
| 25" / 64cm | | | C9225 | C9125 | | |
| 26" / 66cm | C8226 | C8126 | C9226 | C9126 | C8264 | C8164 |
| 28" / 71cm | | | C9228 | C9128 | | |
| 29" / 74cm | C8229 | C8129 | C9229 | C9129 | C8272 | C8172 |
| 30" / 76cm | | | C9230 | C9130 | | |
| 32" / 81cm | C8232 | C8132 | C9232 | C9132 | C8278 | C8178 |

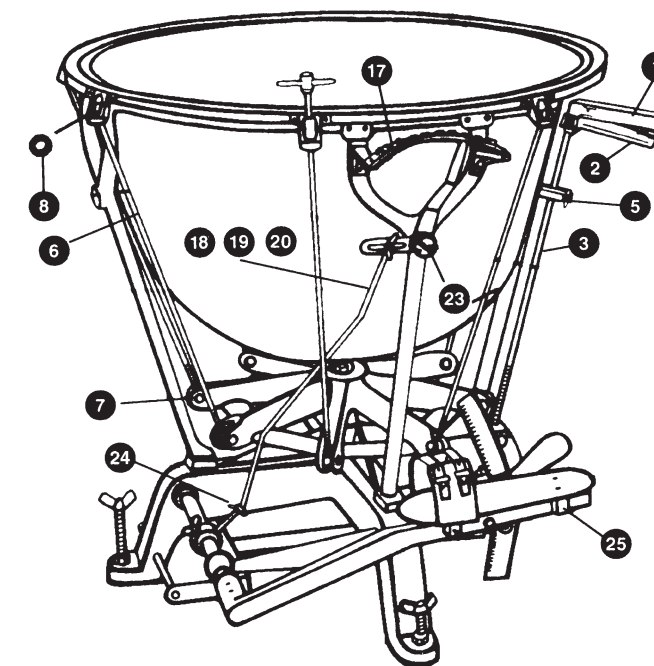
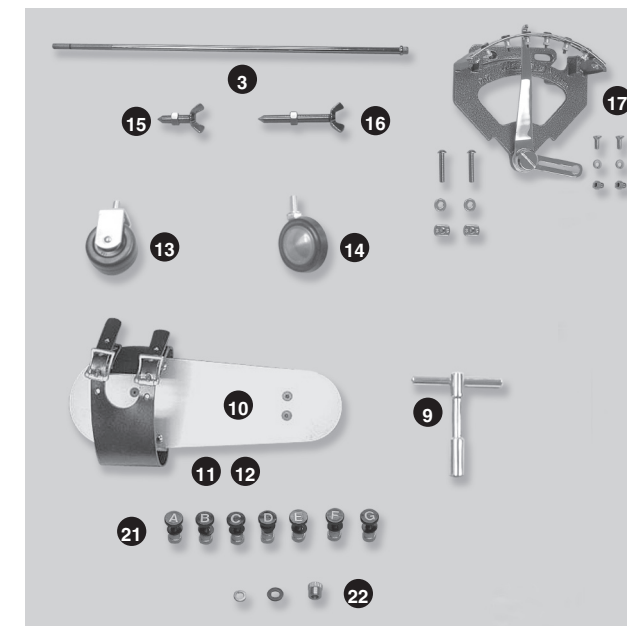
Ludwig products are available for sale through authorized Ludwig dealers. This catalog is intended as a source of general information only. Possession of this catalog does not constitute a contract, agreement or an offer to sell our products. Ludwig reserves the right to change prices or product specifications without prior notice.

Ludwig, is a registered trademark of Conn-Selmer, Inc. All rights are reserved. Reproduction, of whole or in part, of this catalog, or its contents, is strictly prohibited without prior expressed written permission of Conn-Selmer, Inc.

© 2003 Conn-Selmer, Inc.,
P.O. Box 310, Elkhart, IN 46515

Ringer Model

1. **P9050A** Pistol Grip assembly for Fine Tuning Rod
2. **P9260** Spring only for Pistol Grip
3. **P9080A** Fine Tuning Rod only, without Pistol Grip
4. **P90551** Fine Tuning Nut (not shown)
5. **P9037A** Wing Screw with leather bracket
6. **P91451** Ringer Tension Rod
7. **P91471** Chrome Tension Nut
8. **P9146** Leather Washer for Lug/Tension Rod
9. **P91551** Ringer Tuning Key
10. **P9045** Footboard Pedal only (no strap)
11. **P9045A** Right Footboard Pedal Assembly
12. **P9045B** Left Footboard Pedal Assembly
13. **P9158A** Stationary Caster, complete with washers and cap nut
14. **P9159A** Swivel Caster, complete with washers and cap nut
15. **P9150A** Small Stage Screw
16. **P9151A** Large Stage Screw
17. **P9105A** Tuning Gauge Rail with mounting screws
18. **P9110** Tuning Gauge Connecting Rod for 52 & 58 cm
19. **P9111** Tuning Gauge Connecting Rod for 64 cm
20. **P9112** Tuning Gauge Connecting Rod for 72 & 78 cm
21. **P9127** Single Letter complete with mounting nut. Specify letter. A-B-C-D-E-F-G
22. **P91281** Letter Nut
23. **P91291** Pointer Bearing Assembly
24. **P9401A** Wing Nut Assembly complete with washers & screw
25. **P9428** Cap Screw

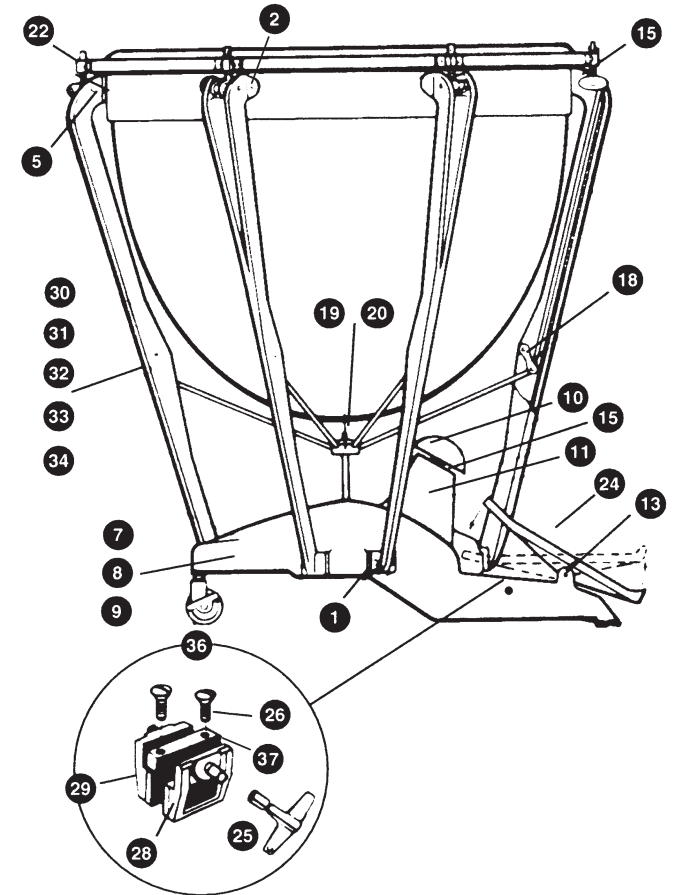
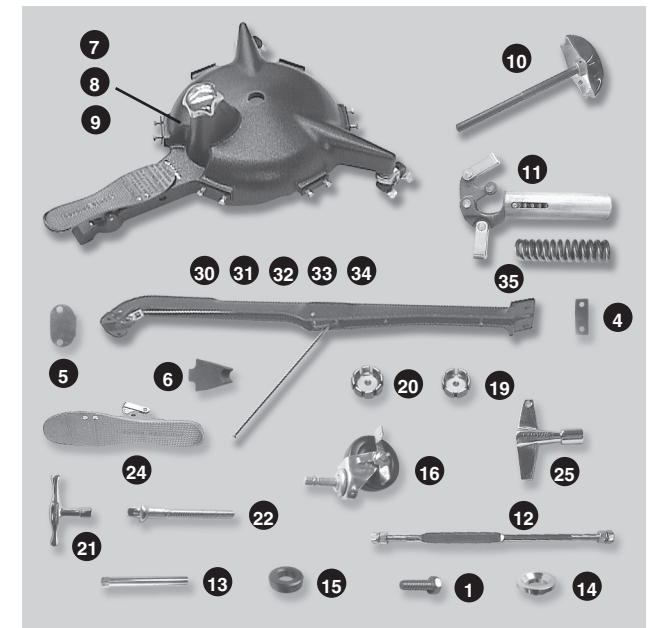
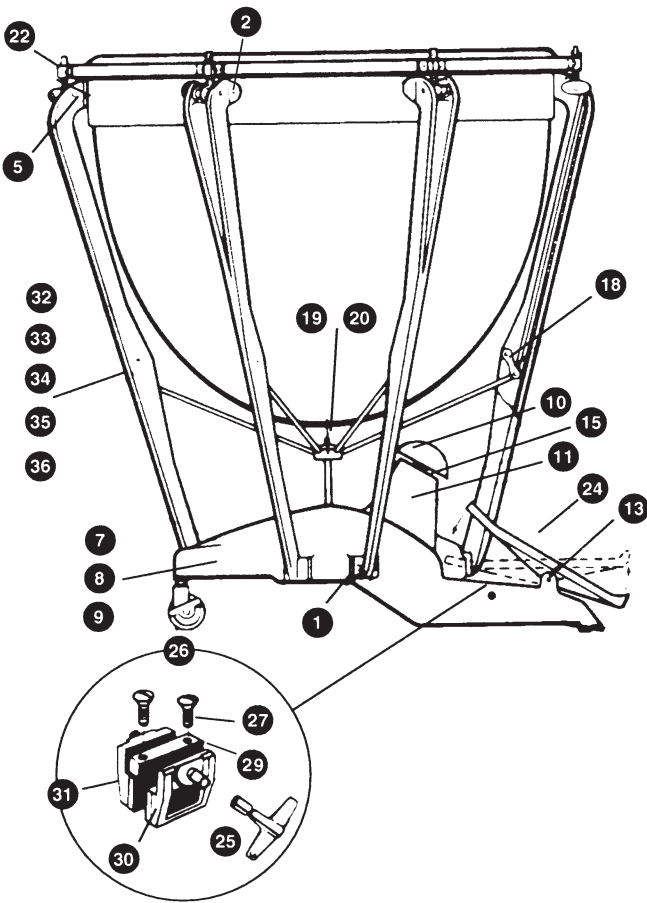
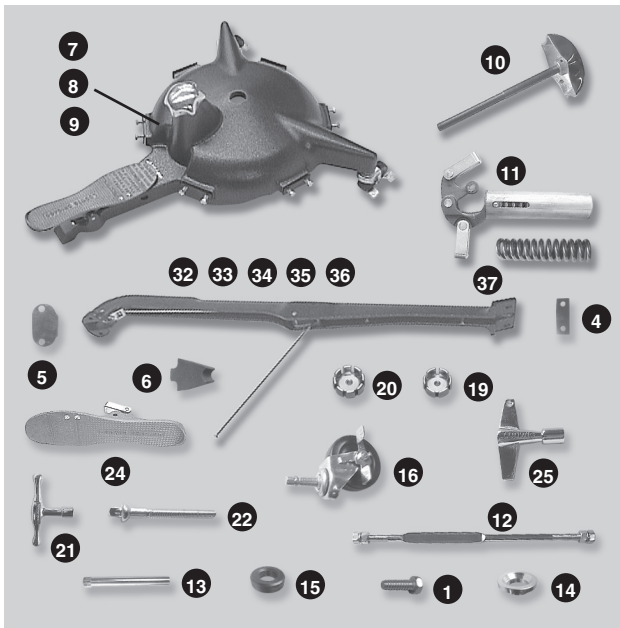


Grand Symphonic Model

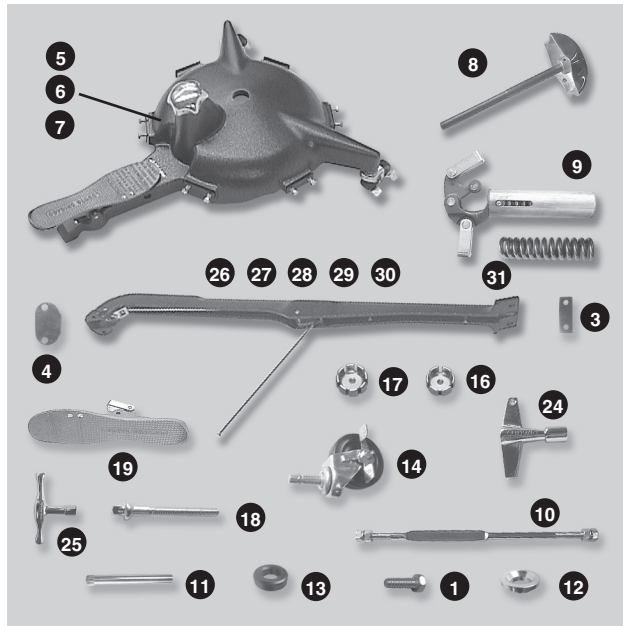
1. **P0220** Strut Hex Cap Screw
2. **P0236A** Flat Mounting Screw Assembly with Acorn Nut (Strut to Ring)
4. **P0631** Strut Gasket (bottom)
5. **P0632** Strut Gasket (top)
6. **P0633** Strut Rubber Insert (center)
7. **P1400A** Base Casting Assembly, complete for 20"
8. **P1467A** Base Casting Assembly, complete for 23", 26"
9. **P1468A** Base Casting Assembly, complete for 29", 32"
10. **P1406A** Knob Assembly
11. **P1410A** Compression Spring Case Assembly
12. **P3258A** Pedal Connecting Rod Assembly
13. **P14161** Footboard Pin
14. **P14201** Bearing Flange
15. **P1426A** Ball-bearing and Flange Assembly
16. **P1447** 3" Caster
17. **P14611** Bell Crank Link (oval, for top) (not shown)
18. **P14741** Bell Crank Link (triangular, for center)
19. **P14591** Tension Rod Spider (for six rod models: 20", 23")
20. **P14601** Tension Rod Spider (for eight rod models: 26", 29", 32")
21. **P15011** Tuning Key
22. **P1566** Key Tension Rod
23. **P15581** Strut Pin (not shown)
24. **P1582A** Footboard Assembly
25. **P4006** Drum Key for Brake Assembly
26. **P3261B** Pedal Brake Assembly, complete
27. **P0244** Brake Mounting Screws
28. **P32591** Thread Shaft
29. **P3260** Brake Block
30. **P3261RA** Brake Arm Assembly, right
31. **P3261LA** Brake Arm Assembly, left
32. **P3300A** Strut Assembly, complete for 20"
33. **P3305A** Strut Assembly, complete for 23"
34. **P3306A** Strut Assembly, complete for 26"
35. **P3309A** Strut Assembly, complete for 29"
36. **P3312A** Strut Assembly, complete for 32"
37. **P1412** Spring only for compression spring casing assembly

Professional Model

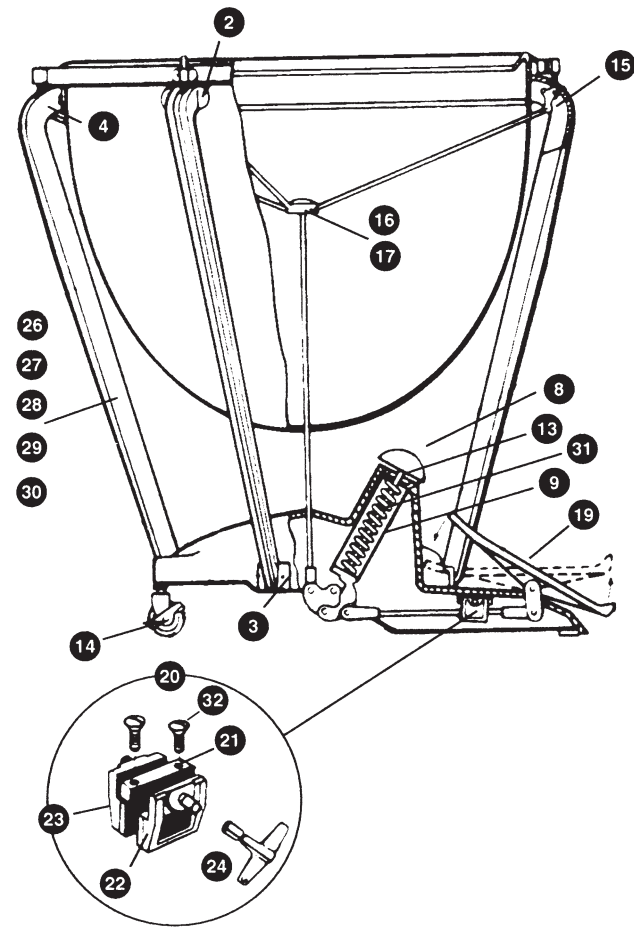
1. **P0220** Strut Hex Cap Screw
2. **P0236** Flat Mounting Screw Assembly with Acorn Nut (Strut to Ring)
4. **P0631** Strut Gasket (bottom)
5. **P0632** Strut Gasket (top)
6. **P0633** Strut Rubber Insert (center)
7. **P1400A** Base Casting Assembly, complete for 20", 23"
8. **P1467A** Base Casting Assembly, complete for 26"
9. **P1468A** Base Casting Assembly, complete for 29", 32"
10. **P1406A** Knob Assembly
11. **P1410A** Compression Spring Case Assembly
12. **P3258A** Pedal Connecting Rod Assembly
13. **P14161** Footboard Pin
14. **P14201** Bearing Flange
15. **P1426A** Ball-bearing and Flange Assembly
16. **P1447** 3" Caster
17. **P14611** Bell Crank Link (oval, for top) (not shown)
18. **P14741** Bell Crank Link (triangular, for center)
19. **P14591** Tension Rod Spider (for six rod models: 20", 23")
20. **P14601** Tension Rod Spider (for eight rod models: 26", 29", 32")
21. **P15011** Tuning Key
22. **P1566** Key Tension Rod
23. **P15581** Strut Pin (not shown)
24. **P1582A** Footboard Assembly
25. **P4006** Drum Key for Brake Assembly
26. **P0244** Brake Mounting Screws
27. **P32591** Thread Shaft
28. **P3261RA** Brake Arm Assembly, right
29. **P3261LA** Brake Arm Assembly, left
30. **P3300A** Strut Assembly, complete for 20"
31. **P3303A** Strut Assembly, complete for 23"
32. **P3306A** Strut Assembly, complete for 26"
33. **P3309A** Strut Assembly, complete for 29"
34. **P3312A** Strut Assembly, complete for 32"
35. **P1412** Spring only for compression spring case assembly
36. **P3261B** Brake Assembly, complete
37. **P3260** Brake Block



Standard Symphony

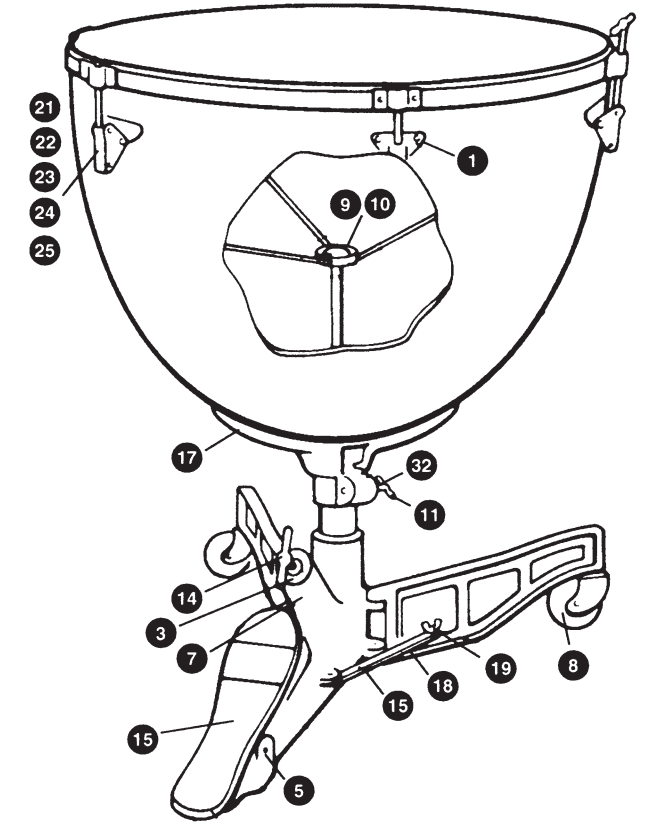
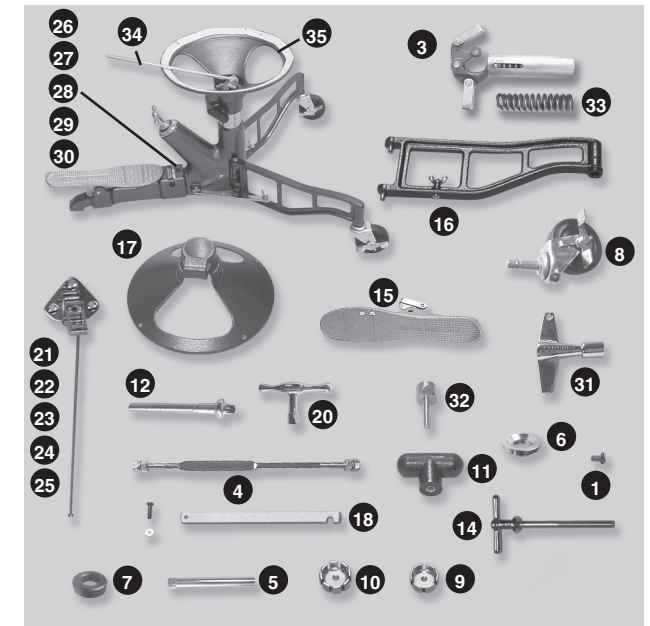


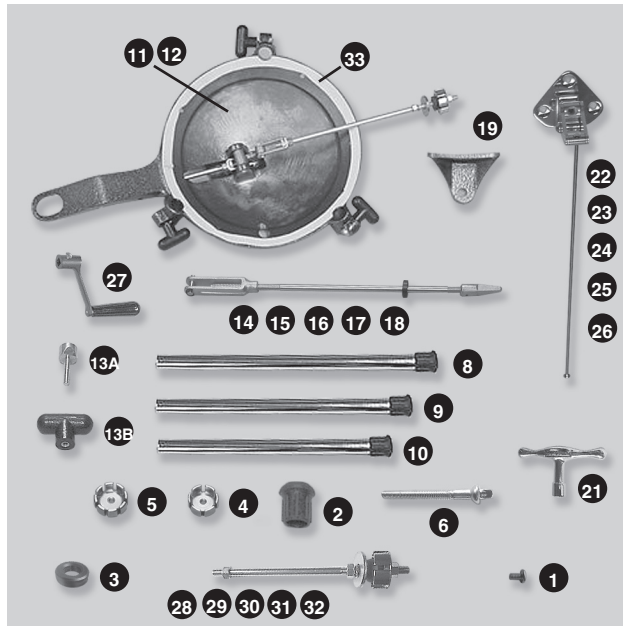
1. **P0220** Strut Hex Cap Screw
2. **P0115** Screw Hex Nut (not shown)
3. **P0631** Strut Gasket (bottom)
4. **P0632** Strut Gasket (top)
5. **P1400A** Base Casting Assembly, complete for 20", 23", 26"
6. **P1401A** Base Casting Assembly, complete for 29"
7. **P1468A** Base Casting Assembly, complete for 32"
8. **P1406A** Knob Assembly
9. **P1410A** Compression Spring Case Assembly
10. **P3258A** Pedal Connecting Rod Assembly
11. **P14161** Footboard Pin
12. **P14201** Bearing Flange
13. **P1426** Ball-bearing and Flange Assembly
14. **P1445** 3" Caster
15. **P14501** Bell Crank Link
16. **P14591** Tension Rod Spider (for six rod models: 20", 23", 26", 29")
17. **P14601** Tension Rod Spider (for eight rod models: 32")
18. **P1549** Key Tension Rods (optional)
19. **P1582A** Footboard Assembly
20. **P3261B** Brake Assembly, complete
21. **P3260** Brake Block
22. **P3261RA** Brake Arm Assembly, right
23. **P3261LA** Brake Arm Assembly, left
24. **P4006** Drum Key for Brake Assembly
25. **P15011** Tuning Key (for key tension rods)
26. **P3301A** Strut Assembly for 20"
27. **P3304A** Strut Assembly for 23"
28. **P3307A** Strut Assembly for 26"
29. **P3310A** Strut Assembly for 29"
30. **P3313A** Strut Assembly for 32"
31. **P1412** Spring only for compression spring casing assembly
32. **P0244** Brake Mounting Screws



Universal Model

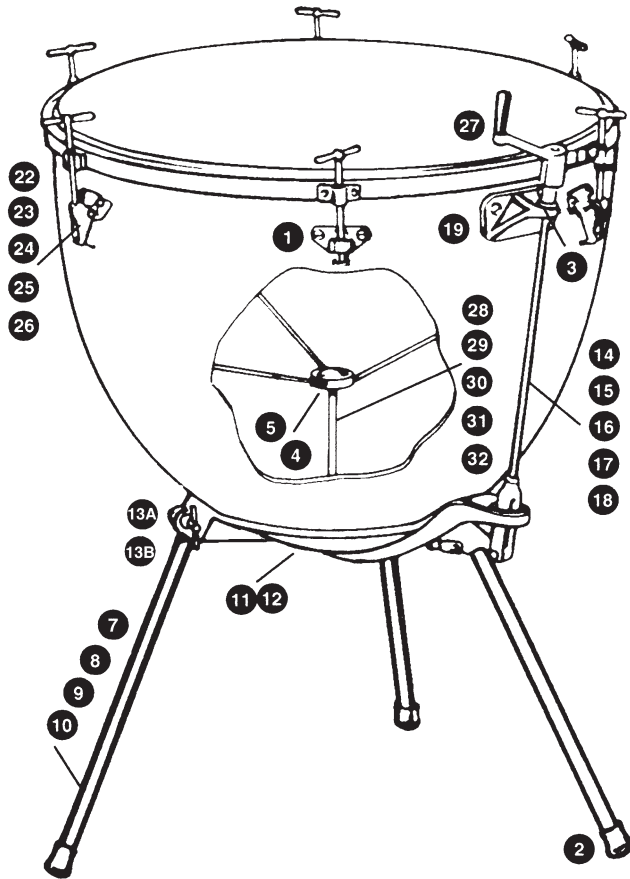
1. **P0244** Mounting Screw (Tension Bracket to Kettle)
3. **P1410A** Compression Spring Case Assembly
4. **P1411A** Pedal Connecting Rod Assembly
5. **P14161** Footboard Pin
6. **P14201** Bearing Flange
7. **P1426A** Ball-bearing and Flange Assembly
8. **P1445** 3" Caster
9. **P14591** Tension Rod Spider (for six rod models: 20", 23", 26", 29")
10. **P14601** Tension Rod Spider (for eight rod models: 30" and 32" Kettles only)
11. **P1534** "T" Handle Knob
12. **P1549** Key Tension Rods (optional)
13. **P3261B** Pedal Brake Assembly, complete
14. **P1581A** Spring Tension "T" Handle Assembly
15. **P1582A** Footboard Assembly
16. **P1583A** Folding Leg Casting Assembly
17. **P1586A** Nest Assembly
18. **P1596** Leg Brace 7-7/16"
19. **P0241A** Leg Brace Fastener Screw and Wing nut
20. **P15011** Tuning Key (for key tension rods)
21. **P1503120** Kettle Lug Assembly for 20" Kettle
22. **P1503123** Kettle Lug Assembly for 23" Kettle
23. **P1503126** Kettle Lug Assembly for 26" Kettle
24. **P1503129** Kettle Lug Assembly for 29" Kettle
25. **P1503132** Kettle Lug Assembly for 32" Kettle
26. **P1585A** Base Assembly for 20"
27. **P1585B** Base Assembly for 23"
28. **P1585C** Base Assembly for 26"
29. **P1585D** Base Assembly for 29"
30. **P1585E** Base Assembly for 32"
31. **P4006** Drum Key
32. **P15911** Stud Lock
33. **P1412** Spring only for compression spring casing assembly
34. **P14511** Center Pull Rod
35. **P19903** Felt Strip





Machine Model

1. **P0244** Mounting Screw
(Tension Bracket to Kettle)
2. **P0613** Rubber Crutch Tip
3. **P1441** Tuning Rod Bearing
4. **P14591** Tension Rod Spider
(for six rod models: 20", 23", 26", 29")
5. **P14601** Tension Rod Spider
(for eight rod models: 30" and 32")
6. **P1549** Key Tension Rod
7. **P3264A** Tubular Leg 22" for 20" Kettle with
crutch tip
8. **P1553A** Tubular Leg 20½" for 23" Kettle with
crutch tip
9. **P1554A** Tubular Leg 17¼" for 26" Kettle with
crutch tip
10. **P1555A** Tubular Leg 15½" for 29" & 32" Kettle
with crutch tip
11. **P1570A** Nest Base Assembly for 20", 23", 26" & 29"
12. **P1569A** Nest Base Assembly for 32" Kettles
- 13A. **P15731** Stud Lock for Leg
- 13B. **P1534** "T" Handle Knob
14. **P1387A** Master Tuning Rod Assembly
without Handle (for 20" Kettle)
15. **P1390A** Master Tuning Rod Assembly
without Handle (for 23" Kettle)
16. **P1576A** Master Tuning Rod Assembly
without Handle (for 26" Kettle)
17. **P1577A** Master Tuning Rod Assembly
without Handle (for 29" Kettle)
18. **P1388A** Master Tuning Rod Assembly
without Handle (for 32" Kettle)
19. **P15401** Mounting Bracket for Tuning Rod
with 2 screw assemblies
20. **P0225** Screw Assembly for Tuning Rod Bracket
(not shown)
21. **P15011** Tuning Key (for tension rods)
22. **P1503120** Kettle Lug Assembly for 20" Kettle
23. **P1503123** Kettle Lug Assembly for 23" Kettle
24. **P1503126** Kettle Lug Assembly for 26" Kettle
25. **P1503129** Kettle Lug Assembly for 29" Kettle
26. **P1503132** Kettle Lug Assembly for 32" Kettle
27. **P1579A** Tuning Handle
28. **P15411** Center Pull Rod Assembly for 20"
29. **P14861** Center Pull Rod Assembly for 23"
30. **P14511** Center Pull Rod Assembly for 26"
31. **P15671** Center Pull Rod Assembly for 29"
32. **P15441** Center Pull Rod Assembly for 32"
33. **P19903** Felt Strip



7

Kettles



Grand Symphonic Hammered Copper

| Number | Description |
|--------|-------------|
| P7100H | 20" |
| P7101H | 23" |
| P7102H | 26" |
| P7103H | 29" |
| P7104H | 32" |

Ringer Hammered Copper

| Number | Description |
|--------|-------------|
| P9300H | 52cm |
| P9305H | 58cm |
| P9310H | 64cm |
| P9315H | 72cm |
| P9325H | 78cm |

Professional Series Hammered Copper

| Number | Description |
|--------|-------------|
| P1438H | 20" |
| P1434H | 23" |
| P1446H | 26" |
| P1449H | 29" |
| P1435H | 32" |

Polished Copper

| Number | Description |
|--------|-------------|
| P1438B | 20" |
| P1434B | 23" |
| P1446B | 26" |
| P1449B | 29" |
| P1435B | 32" |

Aluminum or Fiberglass

| Number | Description |
|--------|----------------|
| P1437B | 20" Aluminum |
| P1492B | 23" Fiberglass |
| P1477B | 26" Fiberglass |
| P1478B | 29" Fiberglass |
| P1494B | 32" Fiberglass |

Standard Series Polished Copper

| Number | Description |
|--------|-------------|
| P1438A | 20" |
| P1434A | 23" |
| P1446A | 26" |
| P1449A | 29" |
| P1435A | 32" |

Aluminum or Fiberglass

| Number | Description |
|--------|----------------|
| P1437A | 20" Aluminum |
| P1492A | 23" Fiberglass |
| P1477A | 26" Fiberglass |
| P1478A | 29" Fiberglass |
| P1494A | 32" Fiberglass |

Universal Series Aluminum or Fiberglass

| Number | Description |
|--------|----------------|
| P1437U | 20" Aluminum |
| P1492U | 23" Fiberglass |
| P1477U | 26" Fiberglass |
| P1478U | 29" Fiberglass |
| P1494U | 32" Fiberglass |

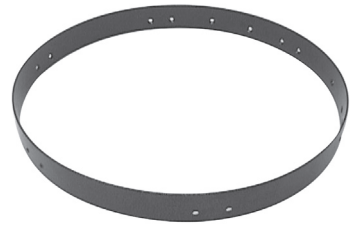
Machine Series Aluminum or Fiberglass

| Number | Description |
|--------|----------------|
| P1437M | 20" Aluminum |
| P1492M | 23" Fiberglass |
| P1477M | 26" Fiberglass |
| P1478M | 29" Fiberglass |
| P1494M | 32" Fiberglass |

Support Bands

Grand Symphonic Powder Coated Only

| Number | Description |
|--------|-------------|
| P71101 | 20" |
| P71111 | 23" |
| P71121 | 26" |
| P71131 | 29" |
| P71141 | 32" |



Professional Series Powder Coated

| Number | Description |
|--------|-------------|
| P32102 | 20" |
| P32112 | 23" |
| P32122 | 26" |
| P32132 | 29" |
| P32142 | 32" |

Chrome

| Number | Description |
|--------|-------------|
| P32101 | 20" |
| P32111 | 23" |
| P32121 | 26" |
| P32131 | 29" |
| P32141 | 32" |

Head Protectors



Ludwig Fiber Head Protector

Ringer Head Protector (Wood)

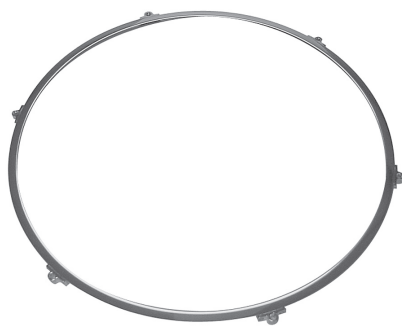
| Number | Description |
|--------|--------------|
| P9062A | 52cm. |
| P9063A | 58cm. |
| P9064A | 64cm. |
| P9065A | 72cm. |
| P9067A | 78cm. |
| P9038 | Cover Strap |
| P9039A | Buckle Strap |
| P0509 | Strap Rivet |

Ludwig Fiber Head Protector

| Number | Description |
|--------|-------------|
| L1070 | 20" |
| L1071 | 23" |
| L1073 | 26" |
| L1075 | 29" |
| L1077 | 32" |

8

Hoops



Ringer Chrome

| Number | Description |
|--------|-------------|
| P9230A | 52cm |
| P9236A | 58cm |
| P9241A | 64cm |
| P9246A | 72cm |
| P9254A | 78cm |

Grand Symphonic Power Coated

| Number | Description |
|---------|-------------|
| P324661 | 20" 6 Lug |
| P324781 | 23" 8 Lug |
| P324881 | 26" 8 Lug |
| P324981 | 29" 8 Lug |
| P325081 | 32" 8 Lug |

Professional Series Powder Coated

| Number | Description |
|---------|-------------|
| P324661 | 20" 6 Lug |
| P324761 | 23" 6 Lug |
| P324881 | 26" 8 Lug |
| P324981 | 29" 8 Lug |
| P325081 | 32" 8 Lug |

Standard

| Number | Description |
|---------|-------------|
| P324661 | 20" 6 Lug |
| P324761 | 23" 6 Lug |
| P324861 | 26" 6 Lug |
| P324961 | 29" 6 Lug |
| P325081 | 32" 8 Lug |

Universal

Powder Coated

| Number | Description |
|---------|-------------|
| P324661 | 20" 6 Lug |
| P324761 | 23" 6 Lug |
| P324861 | 26" 6 Lug |
| P324961 | 29" 6 Lug |
| P325081 | 32" 8 Lug |

Chrome

| Number | Description |
|--------|-------------|
| P32466 | 20" 6 Lug |
| P32476 | 23" 6 Lug |
| P32486 | 26" 6 Lug |
| P32496 | 29" 6 Lug |
| P32508 | 32" 8 Lug |

Machine

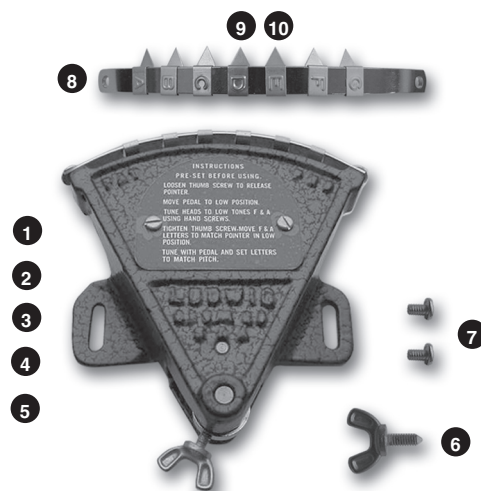
Powder Coated

| Number | Description |
|---------|-------------|
| P324661 | 20" 6 Lug |
| P324761 | 23" 6 Lug |
| P324861 | 26" 6 Lug |
| P324961 | 29" 6 Lug |
| P325081 | 32" 8 Lug |

Chrome

| Number | Description |
|--------|-------------|
| P32466 | 20" 6 Lug |
| P32476 | 23" 6 Lug |
| P32486 | 26" 6 Lug |
| P32496 | 29" 6 Lug |
| P32508 | 32" 8 Lug |

Gauges

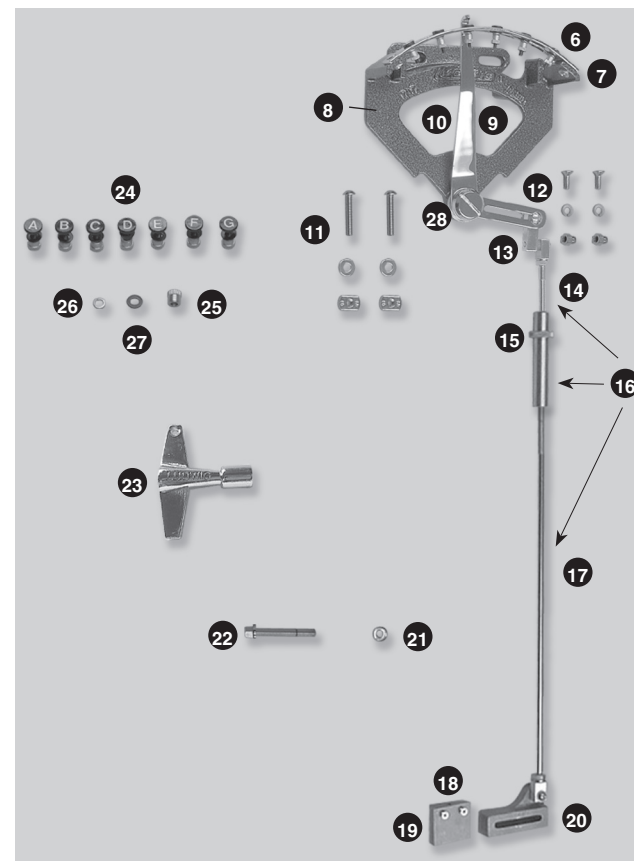


Standard Hoop Gauge

(Mounting instructions included)

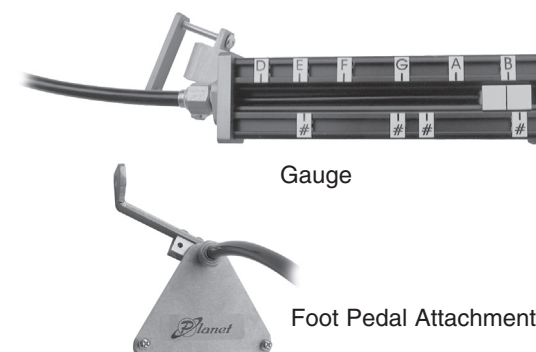
| Number | Description |
|------------|---|
| 1. LKH 20 | 20" |
| 2. LKH 23 | 23" |
| 3. LKH 26 | 26" |
| 4. LKH 29 | 29" |
| 5. LKH 32 | 32" |
| 6. P1444 | Wing Screw |
| 7. P0253 | Rail Mounting Screw |
| 8. P1439 | Letter Rail only |
| 9. P1442 | Rail Letters (set only A-G) 29"-32" |
| 10. P1443 | Rail Letters (set only A-G) 20"-23"-26" |
| 11. P13991 | Spacer Block (not shown) |
| 12. P0236A | Mounting Screw w/acorn nut (not shown) |

Gauges



Planet Tuning Gauge

with cable and foot pedal attachment
(mounting instructions included)



Grand Symphonic & Professional Models

| Number | Description |
|--------|-------------|
| LKP 20 | 20" |
| LKP 23 | 23" |
| LKP 26 | 26" |
| LKP 29 | 29" |
| LKP 32 | 32" |

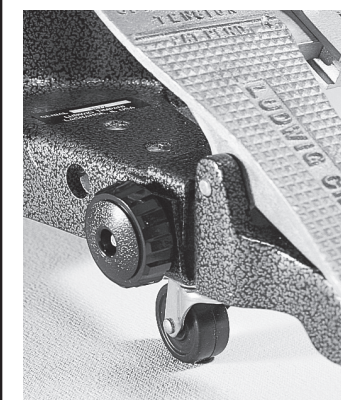
Standard Models

| Number | Description |
|---------|-------------------------|
| LKP 26S | 20" |
| LKP 29S | 23" |
| LKP 33 | Gauge Cover (not shown) |

Pro Tuning Gauge (Mounting Instructions Included)

| Number | Description | Number | Description |
|-------------|-----------------------|------------|---|
| 1. LKG 20 | 20" | 16. P3288A | Connecting Rod Assembly |
| 2. LKG 23 | 23" | | (Includes P32861 Connecting Rod, P3274A Adjusting Screw and P32871 Connecting Rod.) |
| 3. LKG 26 | 26" | 17. P32871 | Connecting Rod – long |
| 4. LKG 29 | 29" | 18. P0287 | Mounting screw |
| 5. LKG 32 | 32" | 19. P3273 | Foot Pedal Block |
| 6. P9105 | Rail | 20. P32691 | Adj-block |
| 7. P0527 | Rail Rivet | 21. P0326 | Washer |
| 8. P32711 | Base Casting | 22. P3008 | Key Rod |
| 9. P9100L1 | Pointer (LH) | 23. P4006 | Key |
| 10. P9100R1 | Pointer (RH) | 24. P9127 | Letter – A,B,C, D, E, F, G |
| 11. P0241A | Mounting screw w/nuts | 25. P91281 | Letter Nut |
| 12. P0108 | Wing Nut | 26. P0304 | Washer |
| 13. P3268 | Connecting Link | 27. E2450 | Washer |
| 14. P32861 | Connecting Rod | 28. P91291 | Pointer Bearing |
| 15. P3274A | Adjusting Screw | | |

Miscellaneous



Third Wheel Timpani Assembly

An all-directional third wheel may be attached under the floor pedal if greater mobility is desired.

Grand Symphonic, Professional & Standard Assembly

Model P1423

Universal Assembly only

Model P1424

Drum Key Pouch Leather w/Velcro® closure Model L202





P.O. Box 310
Elkhart, Indiana 46515-0310 U.S.A.
www.ludwig-drums.com