

# PEARL DRUMS

# Spare Parts Catalog

# 2016

## CONTENTS

DRUM PEDALS .....	1~11
HI-HAT STANDS .....	12~15
REMOTE HI-HAT .....	17
HI-HAT ACCESSORIES .....	18
ACCESSORIES .....	19
SNARE STANDS .....	20~21
DRUM THRONES .....	22~25
CYMBAL STANDS .....	26~27
CYMBAL BOOM STANDS .....	28~30
CYMBAL HOLDERS .....	31~32
ADAPTERS .....	33
TOM HOLDERS .....	34
TOM STANDS .....	35
TOM CYMBAL STANDS .....	36
DRUM RACKS, PIPE CLAMPS, RACK JOINT .....	37~38
OPTIMOUNT, OPTI-LOC .....	39
TOM HOLDER BASES, BRACKETS .....	40
BASS DRUM SPURS .....	41
FLOOR TOM LEG BRACKETS & LEGS .....	42
STOP LOCKS, SNARE WIRES .....	43
HOOPS .....	44
STRAINERS .....	45~46
LUGS .....	47~48
BOLTS, TENSION CLAWS .....	48
F.F.S. SNARE DRUM .....	49
PRACTICE PADS .....	50

The Pearl logo is written in a stylized, cursive script font. The word "Pearl" is written in a dark color, and a registered trademark symbol (®) is located to the upper right of the letter "l".

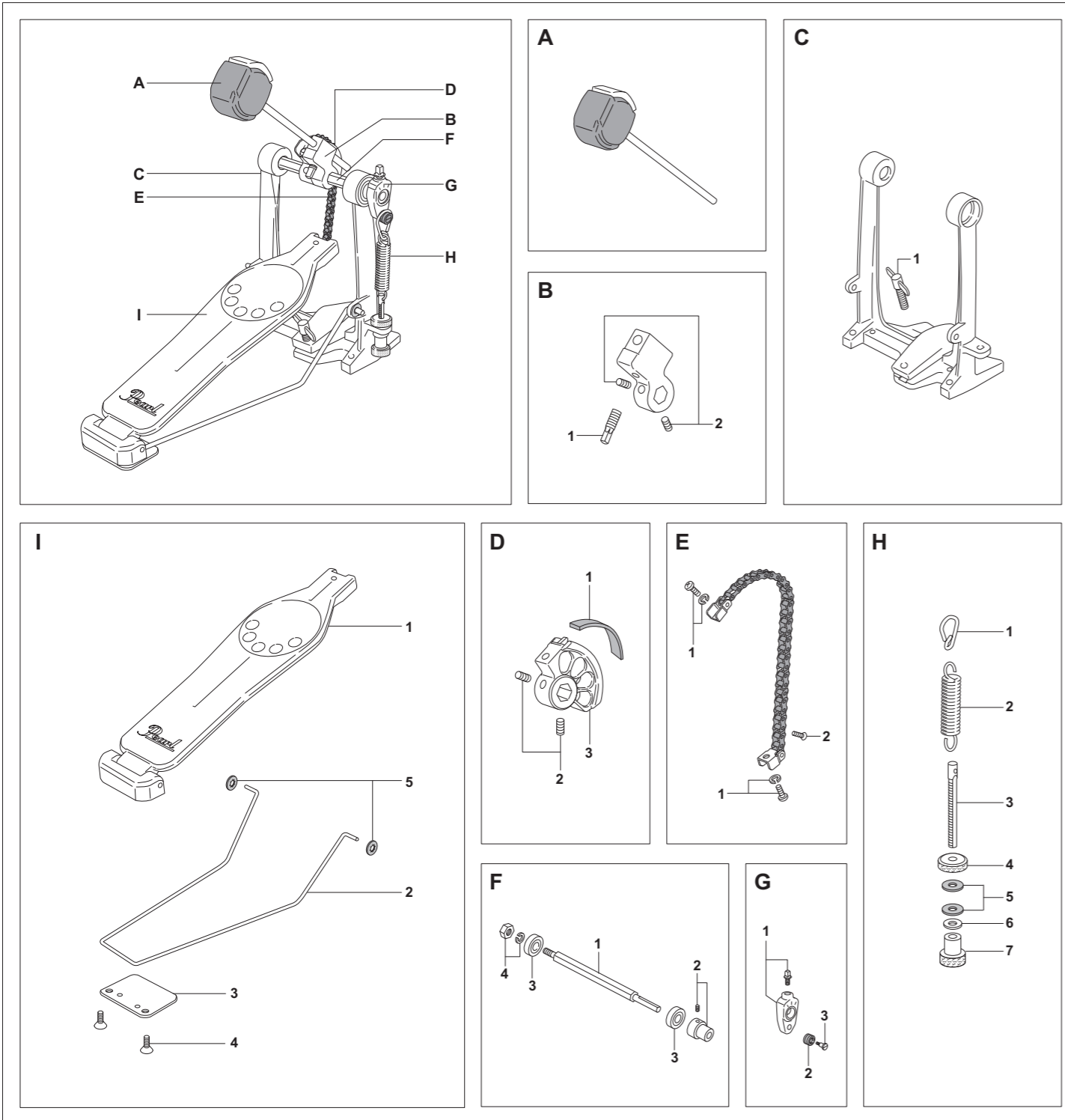
[www.pearldrums.com](http://www.pearldrums.com)

Products and specifications are subject to change without notice.

Oct 2016.

# DRUM PEDALS

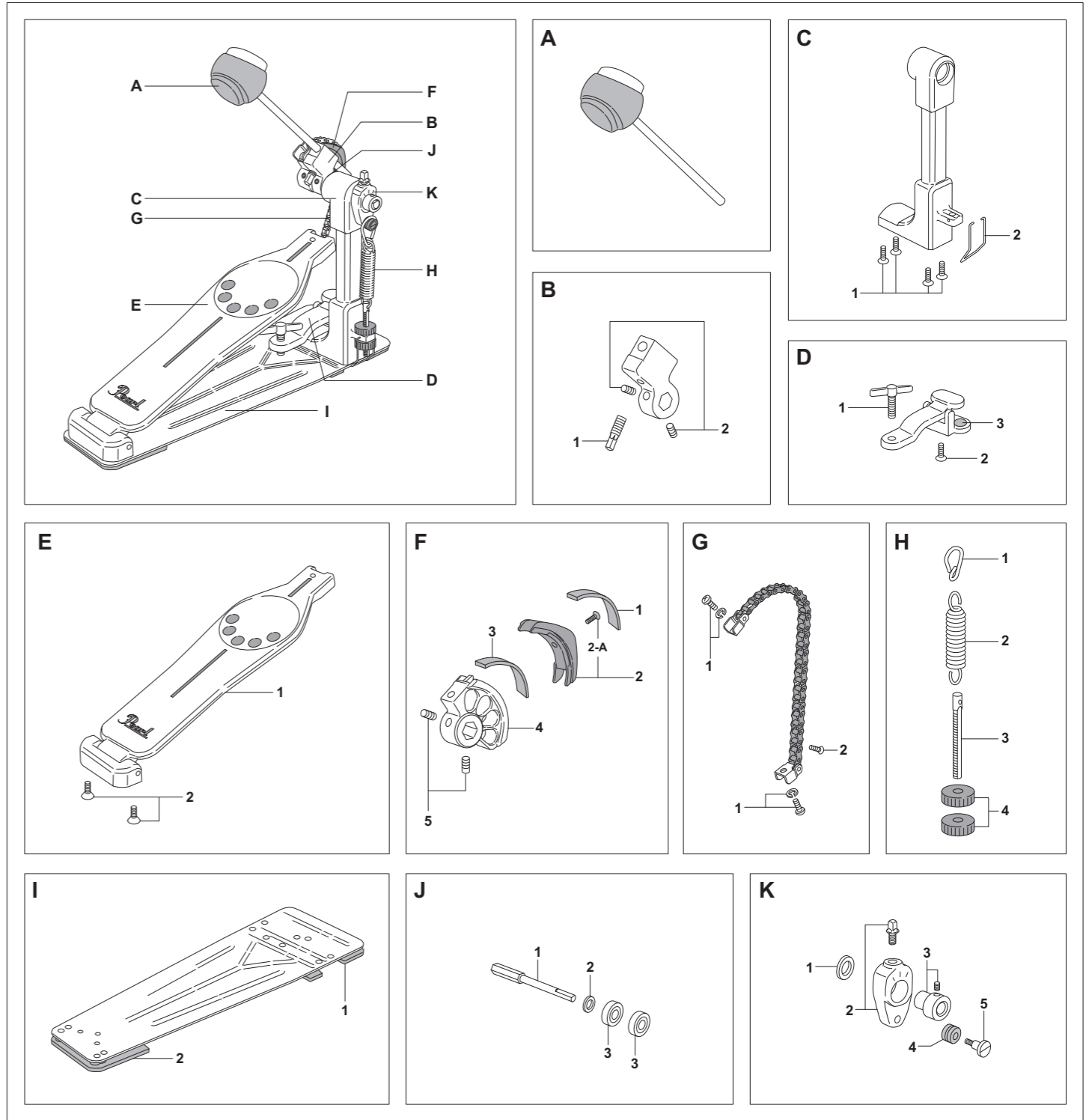
## P-830



- |  |   |  |
|--|---|--|
| <b>A DB-100</b> "DuoBeat" 2 Way Beater           | <b>F SM-077AC</b> Hexagonal Axle Assy.      | <b>H SPA-90A</b> Spring Assy. Complete           |
| <b>B AD-022A</b> Beater Holder Link Complete     | 1 SM-077 Hexagonal Axle ONLY                | 1 SCH-01 Hook                                    |
| 1 KB-814 Key Bolt                                | 2 SM-029AN Axle Sleeve w/Allen Screw        | 2 SP-31F Spring (w/Felt) ONLY                    |
| 2 SB-66 Allen Screw (one each)                   | 3 NU-07B Bearing (one each)                 | 3 ME-166 Adjustment Bolt                         |
| <b>C PF-P89A</b> Pedal Frame w/Hoop Clamp        | 4 BSA-3 End Nut w/Washer                    | 4 SM-032 Upper Nut                               |
| 1 ME-69 Handle Bolt                              | <b>G ZD-037AC</b> Beater Angle Cam Complete | 5 RB-005 Washers (one each)                      |
| <b>D AD-021AA</b> Aluminum Wheel Assy. Complete  | 1 ZD-037A Beater Angle Cam w/Key Bolt       | 6 WS-27 Lock Washer                              |
| 1 FL-002 Felt Strip                              | 2 PM-003 Cam Roller                         | 7 SM-033 Lower Nut                               |
| 2 SB-66 Allen Screw (one each)                   | 3 ME-170B Cam Bolt                          | <b>I FB-930UA</b> Footboard Assy. Complete       |
| 3 AD-021 Aluminum Wheel ONLY                     |   | 1 FB-930U Footboard ONLY                         |
| <b>E ME-805A</b> Connecting Chain Assy. Complete |   | 2 RR-83 Radius Rod                               |
| 1 SC-468W Screw w/Washer (one set)               |   | 3 STL-2 Radius Rod Cover                         |
| 2 SC-327H Flat Head Screw                        |   | 4 SC-366SC Screw (one each)                      |
|  |   | 5 WS-50 Push Nut (Radius Rod Stopper) (one each) |

# DRUM PEDALS

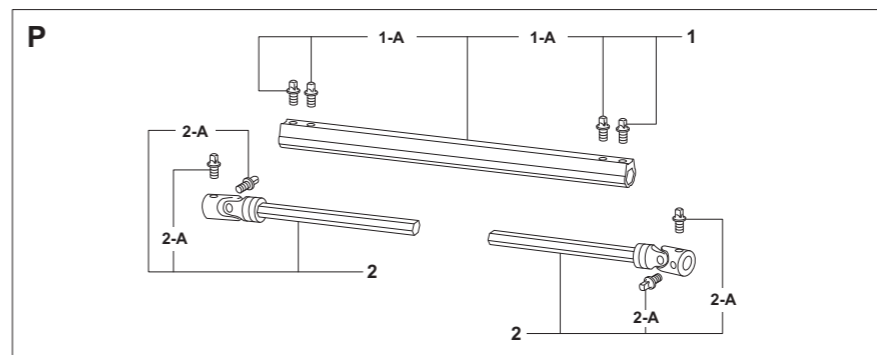
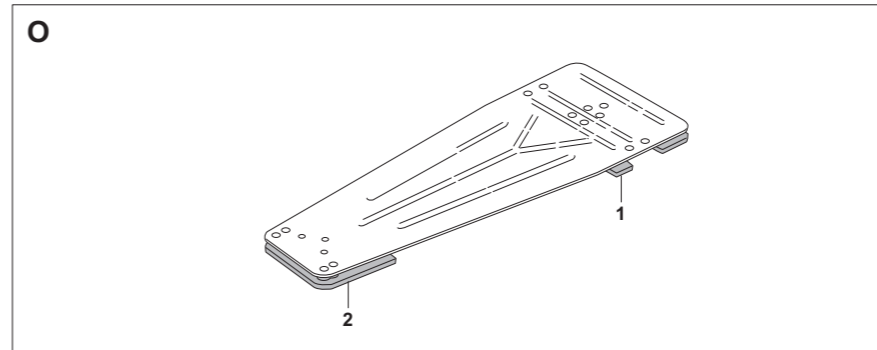
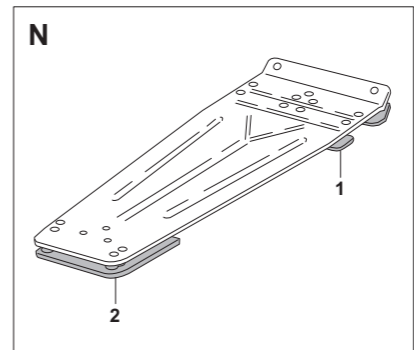
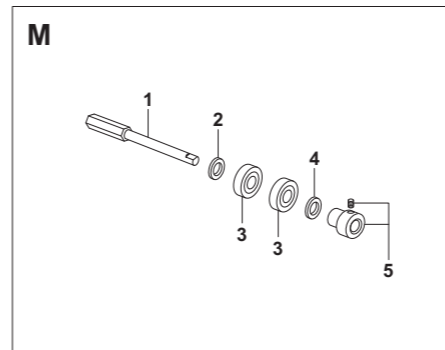
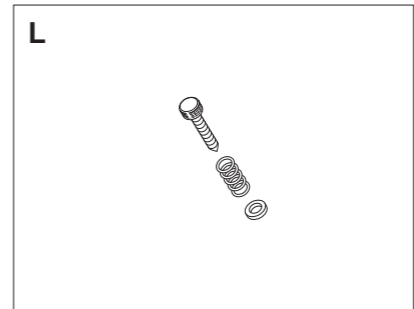
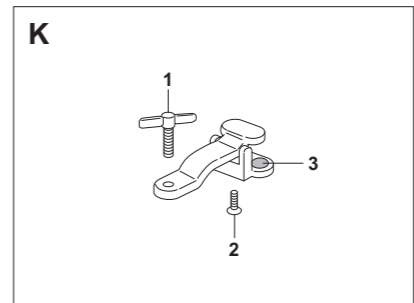
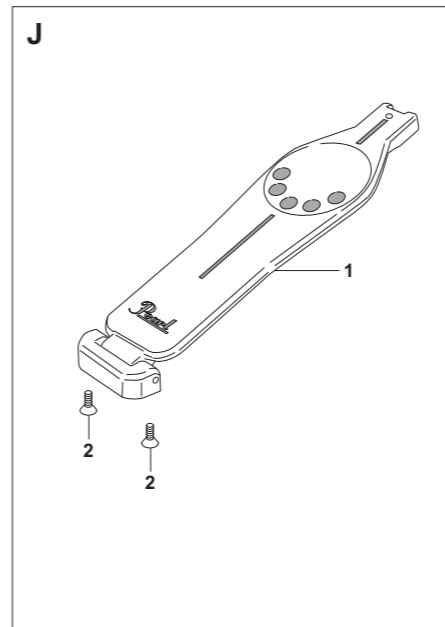
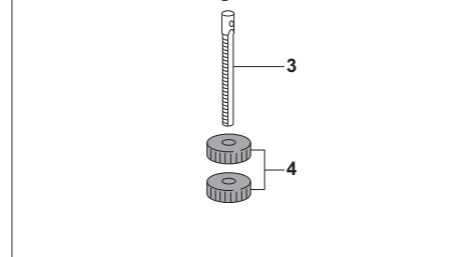
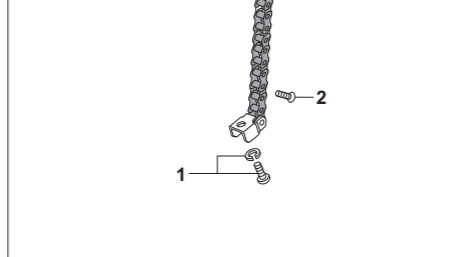
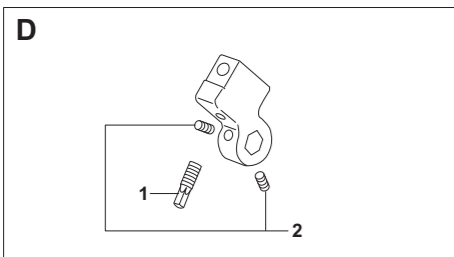
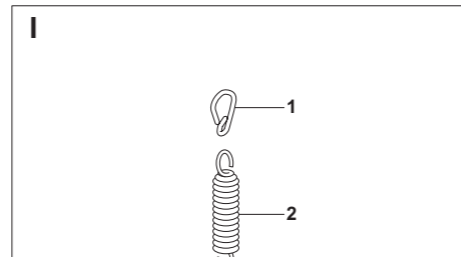
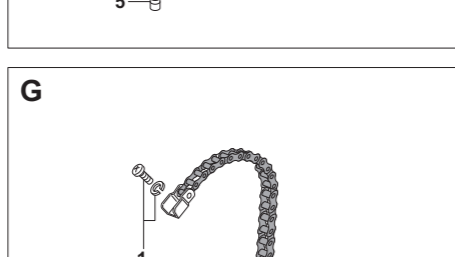
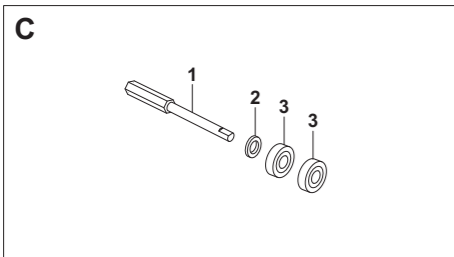
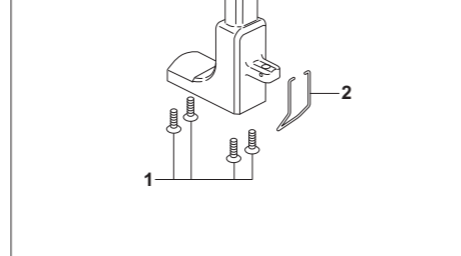
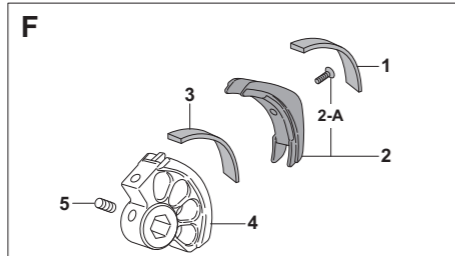
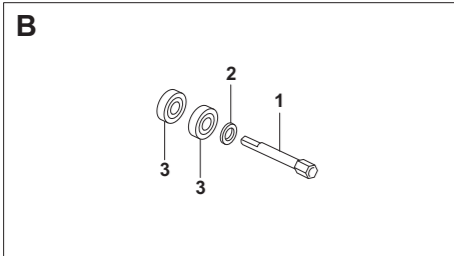
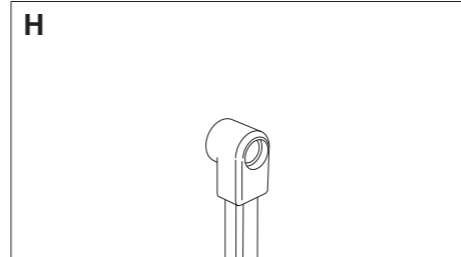
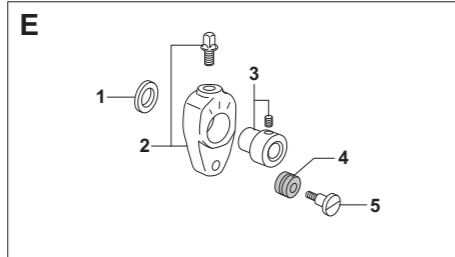
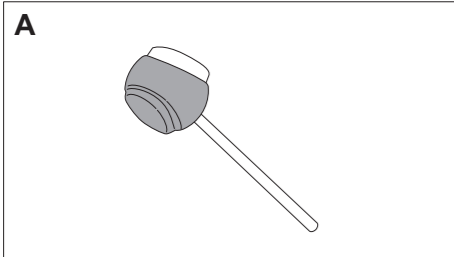
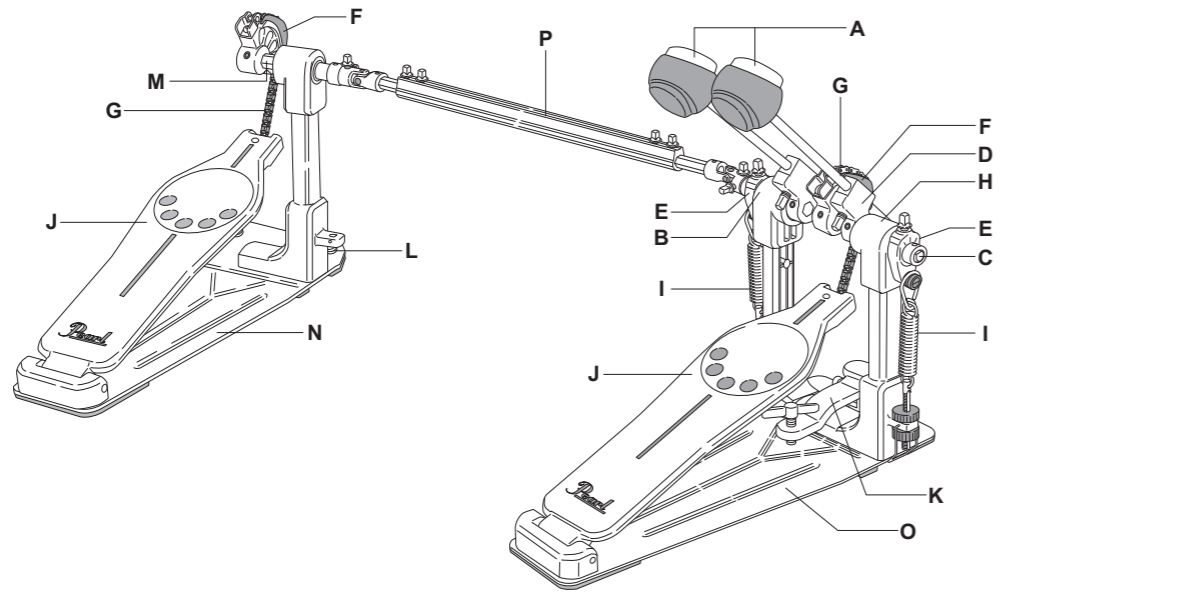
## P-930



- |  |  |  |
|--|--|--|
| <b>A DB-150</b> DuoBeat Beater               | <b>F AD-021A</b> Aluminum Wheel Assy. Complete   | <b>I PWP-930A</b> Powerplate Assy. Complete  |
| <b>B AD-022A</b> Beater Holder Link Complete | 1 FL-003 Felt Strip                              | 1 RB-012 Rubber Mat (Front)                  |
| 1 KB-814 Key Bolt                            | 2 PL-041A Detachable Cam w/Screw                 | 2 RB-013 Rubber Mat (Heel)                   |
| 2 SB-66 Allen Screw (one each)               | 2-A SC-385 Screw                                 | <b>J SM-063A</b> Hexagonal Axle Assy.        |
| <b>C AD-020AH</b> Pedal Post                 | 3 FL-002 Felt Strip                              | 1 SM-063 Hexagonal Axle ONLY                 |
| 1 SC-366SC Screw (one each)                  | 4 AD-021 Aluminum Wheel ONLY                     | 2 WS-49 Washer                               |
| 2 SG-014 Click Lock Lever                    | 5 SB-66 Allen Screw (one each)                   | 3 NU-07B Bearing (one each)                  |
| <b>D AD-023NA</b> Hoop Clamp Assy.           | <b>G ME-805A</b> Connecting Chain Assy. Complete | <b>K ZD-037ACC</b> Beater Angle Cam Complete |
| 1 ME-808 Handle Bolt                         | 1 SC-468W Screw w/Washer (one set)               | 1 WS-43 Washer                               |
| 2 SC-366SC Screw                             | 2 SC-327H Flat Head Screw                        | 2 ZD-037A Beater Angle Cam w/Key Bolt        |
| 3 RB-014 Rubber Grip (one each)              | <b>H SPA-930</b> Spring Assy. Complete           | 3 SM-029AN Axle Sleeve w/Allen Screw         |
| <b>E FB-930A</b> Footboard Assy. Complete    | 1 SCH-01 Hook                                    | 4 PM-003 Cam Roller                          |
| 1 FB-930 Footboard ONLY                      | 2 SP-64F Spring (w/Felt) ONLY                    | 5 ME-170B Cam Bolt                           |
| 2 SC-418 Screw (one each)                    | 3 ME-166 Adjustment Bolt                         |  |
|  | 4 NP-470 Nut (one each)                          |  |

# DRUM PEDALS

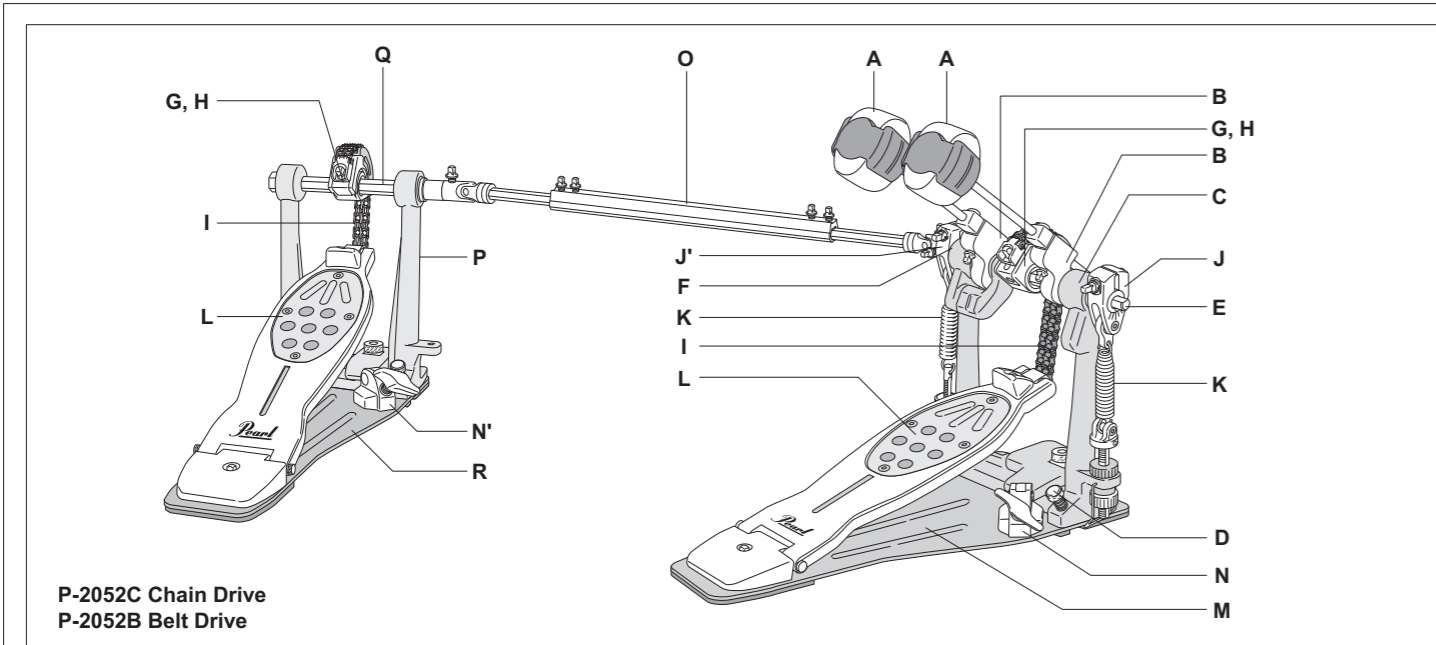
P-932



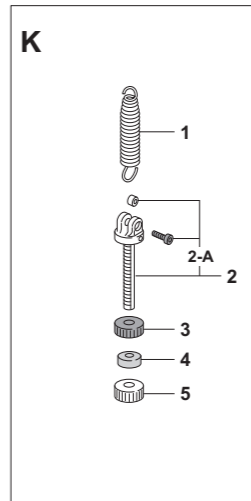
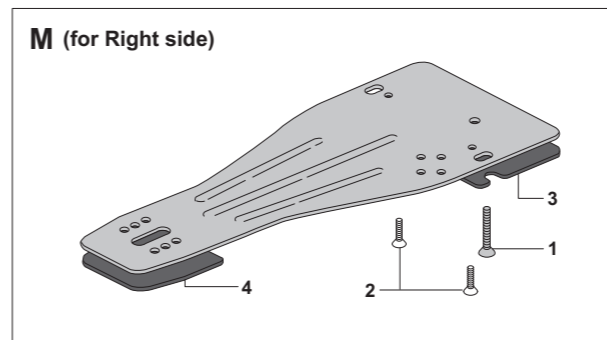
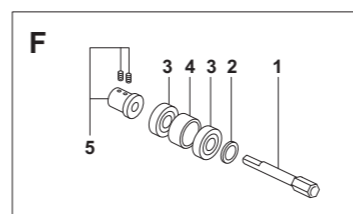
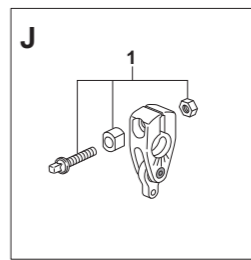
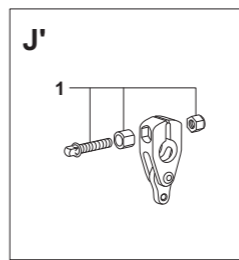
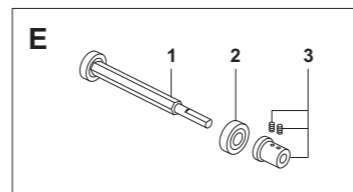
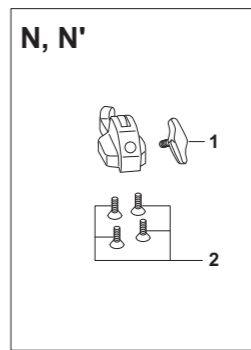
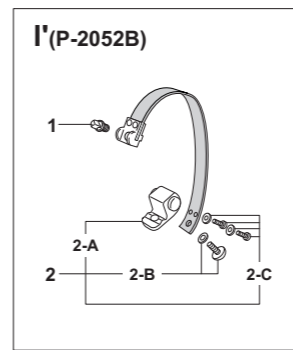
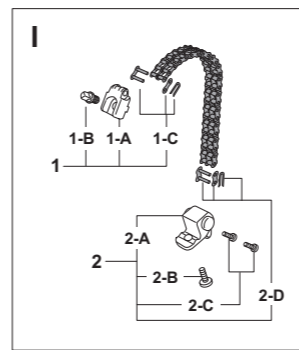
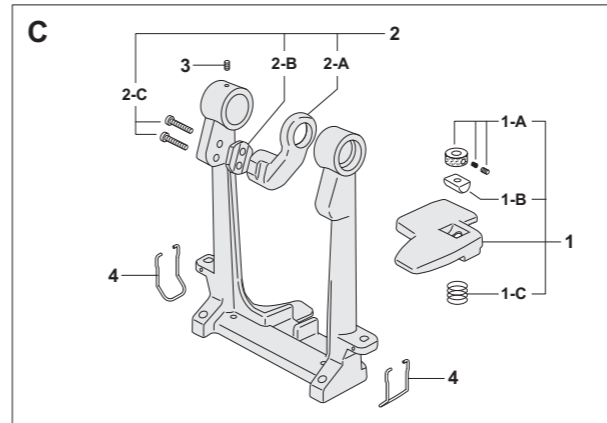
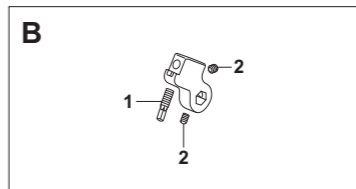
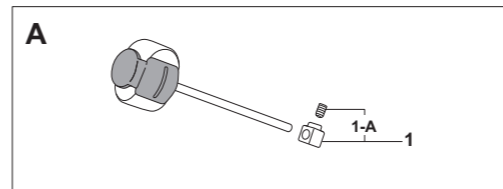
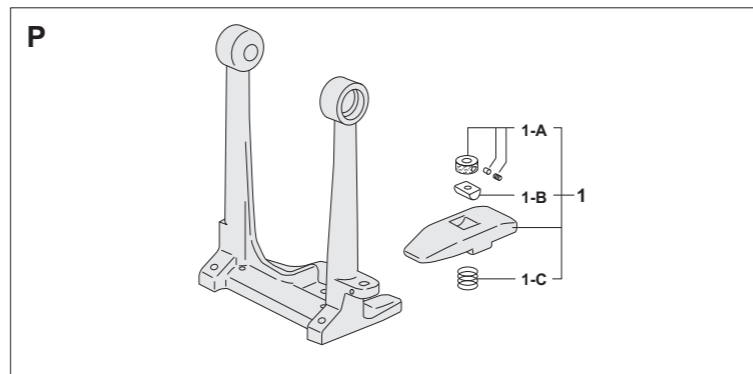
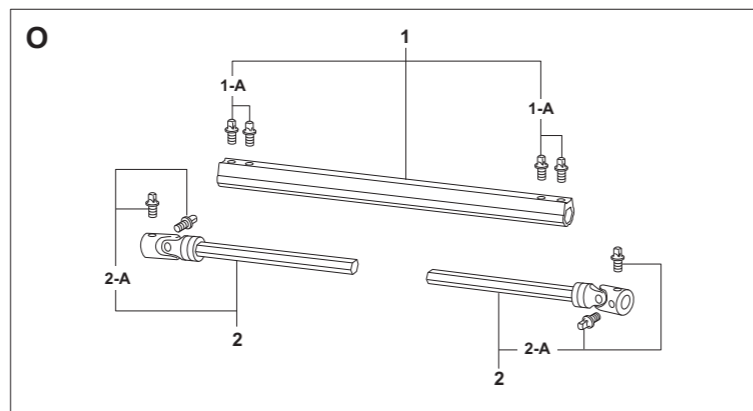
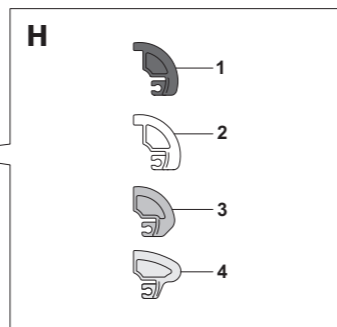
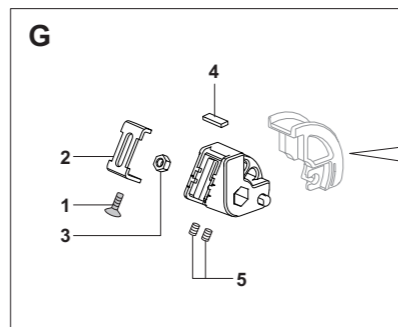
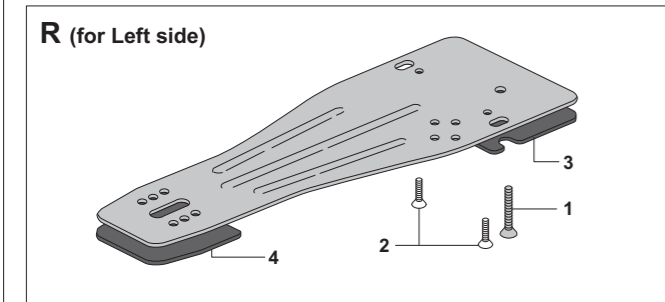
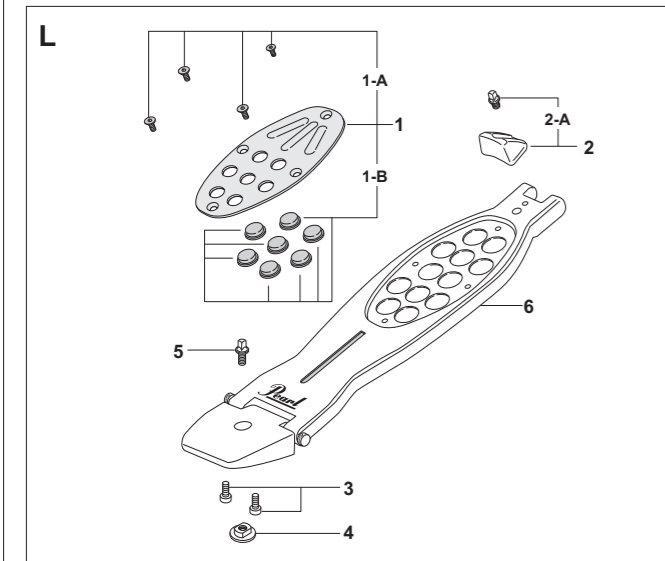
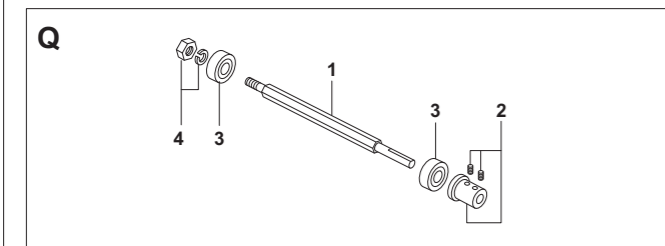
- A DB-150 DuoBeat Beater**
- B SM-065A Hexagonal Axle Assy.**
- 1 SM-065 Hexagonal Axle ONLY
- 2 WS-49 Washer
- 3 NU-07B Bearing (one each)
- C SM-064A Hexagonal Axle Assy.**
- 1 SM-064 Hexagonal Axle ONLY
- 2 WS-49 Washer
- 3 NU-07B Bearing (one each)
- D AD-022A Beater Holder Link Complete**
- 1 KB-814 Key Bolt
- 2 SB-66 Allen Screw (one each)
- E ZD-037ACC Beater Angle Cam Complete**
- 1 WS-43 Washer
- 2 ZD-037A Beater Angle Cam w/Key Bolt
- 3 SM-029AN Axle Sleeve w/Allen Screw
- 4 PM-003 Cam Roller
- 5 ME-170B Cam Bolt
- F AD-021A Aluminum Wheel Assy. Complete**
- 1 FL-003 Felt Strip
- 2 PL-041A Detachable Cam w/Screw
- 3 SC-385 Screw
- 4 FL-002 Felt Strip
- 5 AD-021 Aluminum Wheel ONLY
- SB-66 Allen Screw (one each)
- G ME-805A Connecting Chain Assy. Complete**
- 1 SC-468W Screw w/Washer (one set)
- 2 SC-327H Flat Head Screw
- H AD-020AH Pedal Post**
- 1 SC-366SC Screw (one each)
- 2 SG-014 Click Lock Lever
- I SPA-930 Spring Assy. Complete**
- 1 SCH-01 Hook
- 2 SG-014 Spring (w/Felt) ONLY
- 3 ME-166 Adjustment Bolt
- 4 NP-470 Nut (one each)
- J FB-930A Footboard Assy. Complete**
- 1 FB-930 Footboard ONLY
- 2 SC-418 Screw (one each)
- K AD-023NA Hoop Clamp Assy.**
- 1 ME-808 Handle Bolt
- 2 SC-366SC Screw
- 3 RB-014 Rubber Grip (one each)
- L LT-626W Anchor Screw w/Spring & Washer (one set)**
- M SM-063AC Hexagonal Axle Assy.**
- 1 SM-063 Hexagonal Axle ONLY
- 2 WS-49 Washer
- 3 NU-07B Bearing (one each)
- 4 WS-43 Washer
- 5 SM-029AN Axle Sleeve w/Allen Screw
- N PWP-932SA Powerplate Assy. Complete (Left side)**
- 1 RB-012 Rubber Mat (Front)
- 2 RB-013 Rubber Mat (Heel)
- O PWP-932MA Powerplate Assy. Complete (Right side)**
- 1 RB-011 Rubber Mat (Front)
- 2 RB-013 Rubber Mat (Heel)
- P DS-230A Drive Shaft Assy. Complete**
- 1 SP-604A Drive Shaft Sleeve w/Key Bolts
- 1-A KB-608D Key Bolt (one each)
- 2 HS-230A Hexagonal Drive Shaft w/Key Bolts (one set)
- 2-A KB-508D Key Bolt (one each)

# DRUM PEDALS

## P-2052C / 2052B



P-2052C Chain Drive  
P-2052B Belt Drive

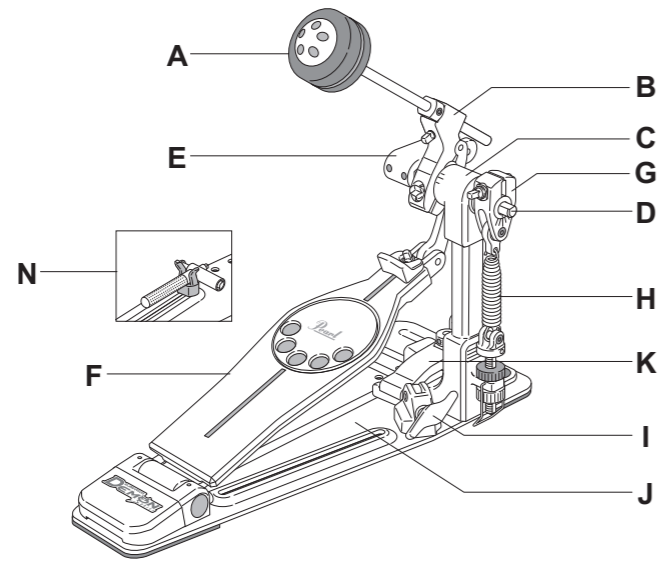


<b>A</b>	<b>B-250QB</b>	<b>Quad Beater Complete</b>
1	DC-394A	Beater Setting Stopper Assy.
1-A	SB-66	Allen Screw
<b>B</b>	<b>AD-035A</b>	<b>Beater Holder Link Complete</b>
1	KB-814	Key Bolt
2	SB-66	Allen Screw (one each)
<b>C</b>	<b>DC-515VA</b>	<b>Pedal Frame w/Hoop Clamp</b>
1	DC-517VCA	Hoop Clamp Assy.
1-A	ME-505A	Adjustment Knob Assy.
1-B	ME-507	Pivot Block
1-C	SG-001	Spring
2	DC-516VA	Axle Support Arm Assy. Comp
2-A	DC-516V	Axle Support Arm
2-B	DC-314V	Axle Support Arm Spacer
2-C	SC-222	Screw (one each)
3	SB-44	Allen Screw
4	SP-82	Click Lock Lever (one each)
<b>D</b>	<b>LT-636</b>	<b>Anchor Screw w/Spring</b>
<b>E</b>	<b>SM-114A</b>	<b>Hexagonal Axle Assy.</b>
1	SM-114B	Hexagonal Axle w/Bearing
2	BE-004	NiNJA Bearing (one each)
3	ME-741A	Axle Sleeve w/Allen Screws
<b>F</b>	<b>SM-113A</b>	<b>Hexagonal Axle Assy.</b>
1	SM-113	Hexagonal Axle ONLY
2	WS-49	Washer
3	BE-004	NiNJA Bearing (one each)
4	ME-506	Bearing Spacer
5	ME-741A	Axle Sleeve w/Allen Screws
<b>G</b>	<b>AD-034A</b>	<b>Aluminum Wheel Assy. Complete</b>
1	SC-327H	Flat-Head Screw
2	PR-546	Slider Bracket
3	NU-10	Hexagonal Nut
4	FE-40C	Felt
5	SB-66	Allen Screw (one each)
<b>H</b>		<b>Interchangeable Cam</b>
1	CAMT-BK	Black Cam
2	CAMT-WT	White Cam
3	CAMT-BL	Blue Cam
4	CAMT-RD	Red Cam
<b>I</b>	<b>CCA-5</b>	<b>Double Chain Assy. Complete / P-2052C</b>
1	DC-511AA	Chain Connecting Bracket Assy. (Top)
1-A	DC-511A	Chain Connecting Bracket ONLY (Top)
1-B	KB-508	Key Bolt
1-C	ME-244	Chain End Connector Assy.
2	DC-511BA	Chain Connecting Bracket Assy. (Bottom)
2-A	DC-511B	Chain Connecting Bracket ONLY (Bottom)
2-B	SC-357	Screw
2-C	SC-284	Screw (one each)
2-D	ME-244	Chain End Connector Assy.
<b>I'</b>	<b>BCA-250</b>	<b>Belt Assy. Complete / P-2052B</b>
1	KB-512	Key Bolt (long)
2	DC-510BA	End Connector Assy. (Bottom)
2-A	DC-510B	End Connector ONLY
2-B	SC-357W	Screw w/Washer
2-C	SC-287W	Screw w/Washer (one each)
<b>J</b>	<b>DC-714A</b>	<b>Uni-Lock Footboard Angle Cam Complete</b>
1	KB-630DA	Bolt & Nut Set
<b>J'</b>	<b>DC-714A</b>	<b>Uni-Lock Footboard Angle Cam Complete</b>
1	KB-630DA	Bolt & Nut Set
<b>K</b>	<b>SPA-64D</b>	<b>Spring Assy. Complete</b>
1	SP-64NF	Spring (w/Felt) ONLY
2	DC-724A	Adjustment Bolt Assy.
2-A	SC-259A	Bolt & Collar Set
3	NP-470	Upper Nut
4	ME-792	Spacer
5	DC-723	Lower Nut
<b>L</b>	<b>FB-2050A</b>	<b>Footboard Assy. Complete</b>
1	AL-24GA	Traction Plate Assy.
1-A	SC-363L	Mounting Screw (one each)
1-B	NP-283RV	Traction Grip (one each)
2	DC-508A	Toe Stopper Assy.
2-A	KB-508	Key Bolt
3	SC-251	Screw (one each)
4	ZD-041	Heel Position Adjust Nut
5	KB-608	Key Bolt
6	AD-032A	Footboard Assy. ONLY
<b>M</b>	<b>PR-549A</b>	<b>Power Plate Assy. Complete (Right Side)</b>
1	SC-325R	Screw
2	SC-149	Screw (one each)
3	NP-284L	Rubber Mat (Front)
4	NP-285	Rubber Mat (Heel)
<b>N</b>	<b>DC-399W</b>	<b>Hoop Clamp Cam Assy. Complete</b>
1	UGB-820C	Die-Cast Wing Bolt
2	SC-191BN	Screw (one each)
<b>N'</b>	<b>DC-399S</b>	<b>Hoop Clamp Cam Assy. Complete</b>
1	UGB-820C	Die-Cast Wing Bolt
2	SC-191BN	Screw (one each)
<b>O</b>	<b>DS-230A</b>	<b>Drive Shaft Assy. Complete</b>
1	SP-604A	Drive Shaft Sleeve w/Key Bolts
1-A	KB-608D	Key Bolt (one each)
2	HS-230A	Hexagonal Drive Shaft w/Key Bolts (one set)
2-A	KB-508D	Key Bolt (one each)
<b>P</b>	<b>DC-514VA</b>	<b>Pedal Frame w/Hoop Clamp</b>
1	DC-514VCA	Hoop Clamp Assy.
1-A	ME-505A	Adjustment Knob Assy.
1-B	ME-507	Pivot Block
1-C	SG-001	Spring
<b>Q</b>	<b>SM-028A</b>	<b>Hexagonal Axle Assy.</b>
1	SM-028	Hexagonal Axle ONLY
2	ME-741A	Axle Sleeve w/Allen Screws
3	BE-004	NiNJA Bearing (one each)
4	BSA-3	End Nut w/Washer
<b>R</b>	<b>PR-548A</b>	<b>Power Plate Assy. Complete (Left Side)</b>
1	SC-325R	Screw
2	SC-149	Screw (one each)
3	NP-284S	Rubber Mat (Front)
4	NP-285	Rubber Mat (Heel)

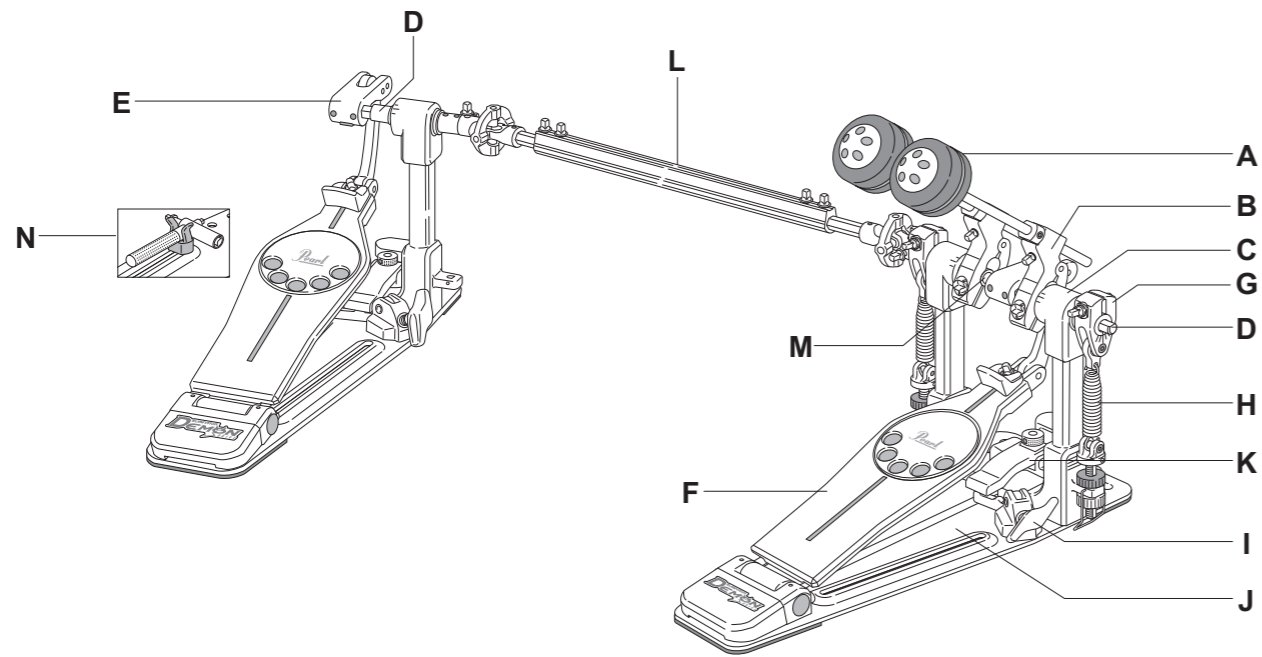


# DRUM PEDALS

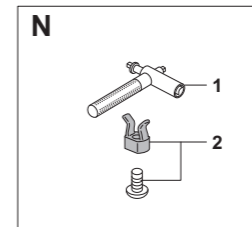
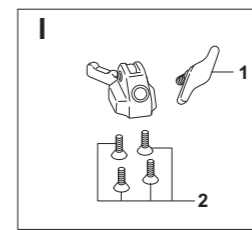
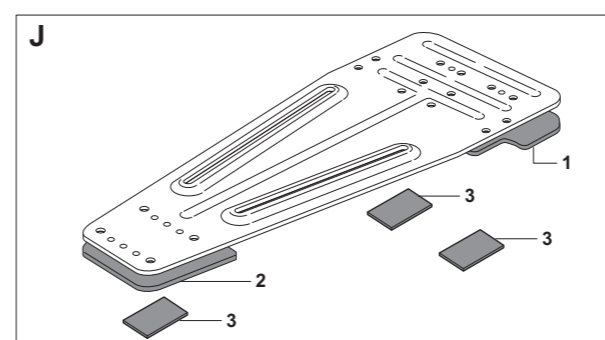
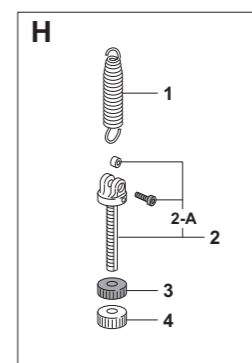
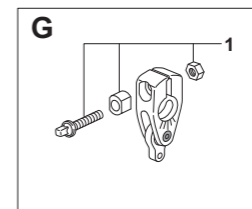
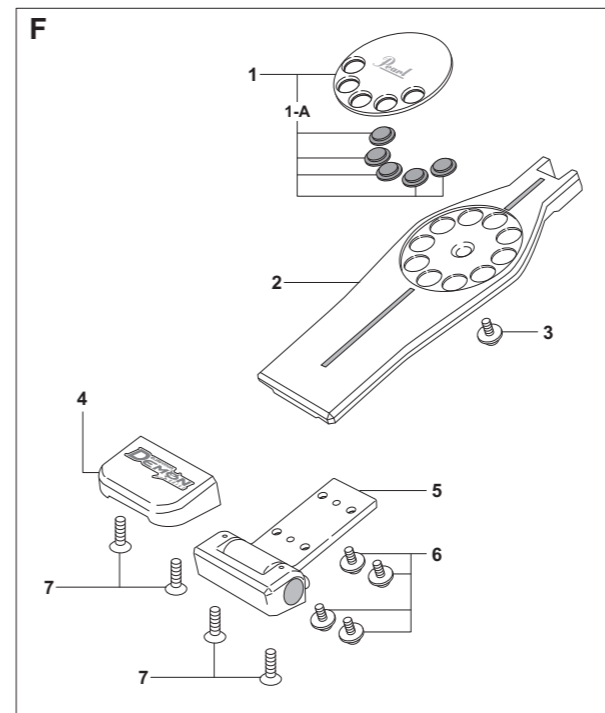
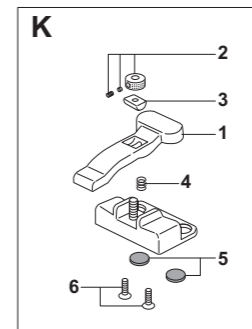
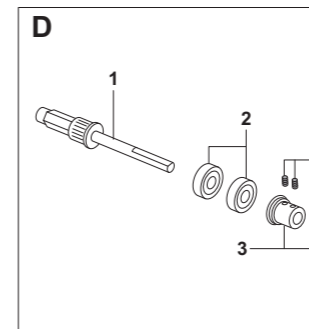
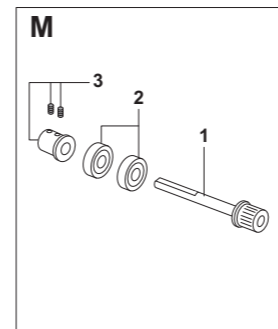
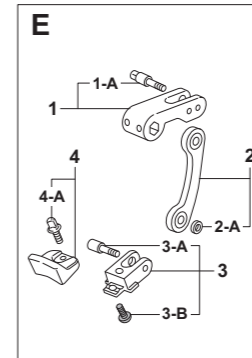
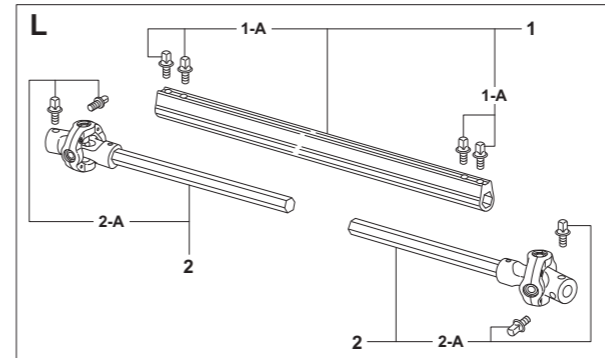
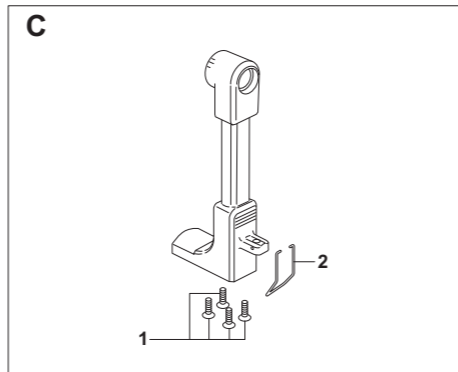
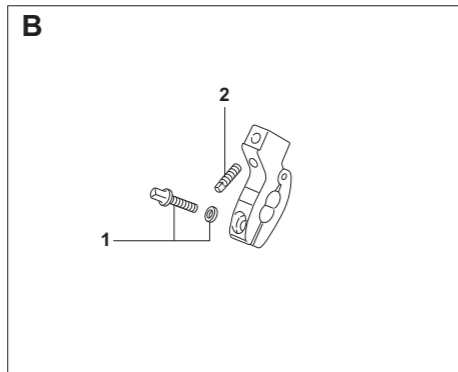
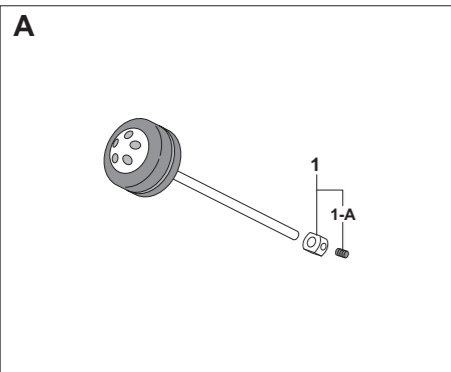
## P-3000D / 3002D



P-3000D



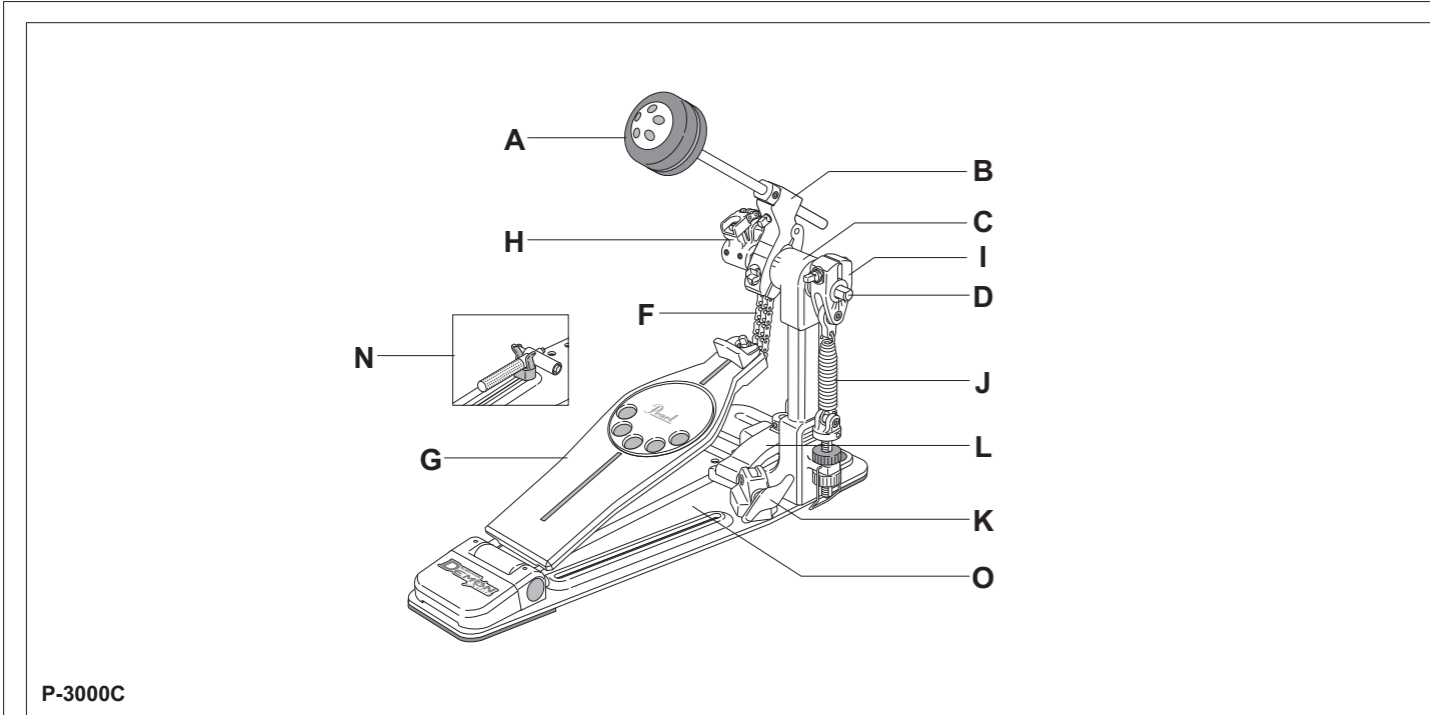
P-3002D



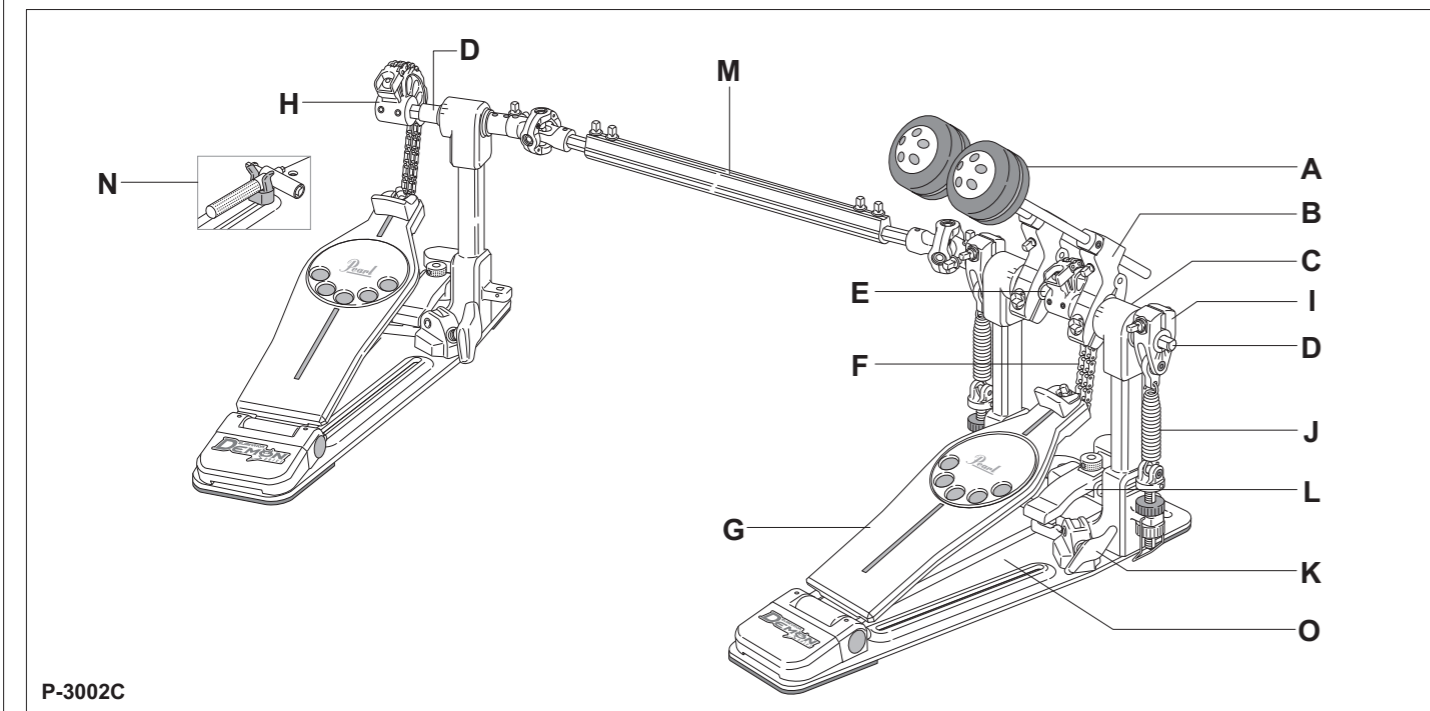
- A B-300F Control Core Felt Beater**
- B-300W Control Core Wood Beater (Option)**
- 1 ME-732A Beater Setting Stopper Assy.
- 1-A SB-65 Allen Screw
- B DC-717ULA Beater Holder Link Complete**
- 1 KB-623DW Key Bolt w/Washer
- 2 SC-415 Key Bolt
- C DC-716A Pedal Post**
- 1 SC-366SC Screw (one each)
- 2 SG-014 Click Lock Lever
- D SFT-DL Hexagonal Axle Shaft Assy.**
- 1 ME-738NA Hexagonal Axle ONLY
- 2 NU-48 NiNjA Bearing (one each)
- 3 ME-741A Axle Sleeve w/Allen Screws
- E DRL-300TSA Direct Link Assy. Complete**
- 1 DC-715UA Direct Link Connecting Bracket Assy. (Top)
- 1-A ME-731UNN Key Bolt
- 2 DC-715LA Direct Link Connecting Bar
- 2-A ME-729 Spacer
- 3 DC-709NA Direct Link Connecting Bracket Assy. (Bottom)
- 3-A ME-731L Bolt
- 3-B SC-357 Screw
- 4 DC-746A Toe Stopper Assy.
- 4-A KB-508 Key Bolt
- F FB-300A Footboard Assy. Complete**
- 1 DC-721A Traction Plate Assy.
- 1-A ME-728 Traction Grip (one each)
- 2 DC-722 Footboard ONLY
- 3 SC-421W Screw w/Washers
- 4 DC-720BAD Heel Plate w/Logo Plate
- 5 DC-720FA Hinge Assy.
- 6 SC-421W Screw w/Washers (one each)
- 7 SC-418 Screw (one each)
- G DC-714A Uni-Lock Footboard Angle Cam Complete**
- 1 KB-630DA Bolt & Nut Set
- H SPA-64D Spring Assy. Complete**
- 1 SP-64NF Spring (w/Felt) ONLY
- 2 DC-724A Adjustment Bolt Assy.
- 2-A SC-259A Bolt & Collar Set
- 3 NP-470 Upper Nut
- 4 DC-723 Lower Nut
- I DC-399D Hoop Clamp Lever Assy.**
- 1 UGB-820C Die-Cast Wing Bolt
- 2 SC-367SC Flat-Head Screw (one each)
- J PR-672A Bottom Plate**
- 1 NP-467A Rubber Mat w/Adhesive Tape (Front)
- 2 NP-468A Rubber Mat w/Adhesive Tape (Heel)
- 3 NP-474 Velcro Tape (one each)
- K DC-719A Hoop Clamp Assy.**
- 1 DC-718A Hoop Clamp Bar w/Rubber Grip
- 2 ME-505A Adjustment Knob Assy.
- 3 ME-507 Pivot Block
- 4 SP-77 Spring
- 5 NP-464 Rubber Grip (one each)
- 6 SC-366SC Flat-Head Screw (one each)
- L DS-300A Drive Shaft Assy. Complete**
- 1 SP-65D Drive Shaft Sleeve w/Key Bolts
- 1-A KB-608D Key Bolt (one each)
- 2 SP-602CCA Hexagonal Drive Shaft w/Key Bolts (one set)
- 2-A KB-508D Key Bolt (one each)
- M SFT-DS Axle Shaft Assy.**
- 1 ME-739NA Axle Shaft ONLY
- 2 NU-48 NiNjA Bearing (one each)
- 3 ME-741A Axle Sleeve w/Allen Screws
- N KMF-300A Multi Function Drum Key Dock Assy.**
- 1 KMF-300 Multi Function Drum Key ONLY
- 2 NP-469A Docking Assy.

# DRUM PEDALS

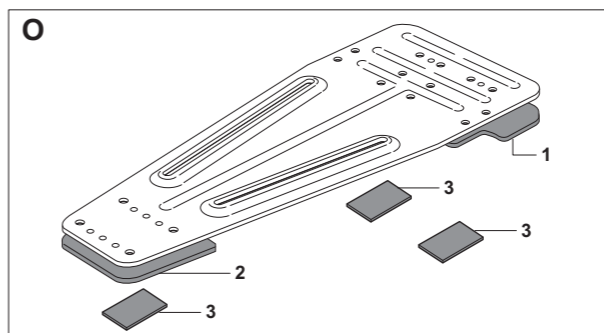
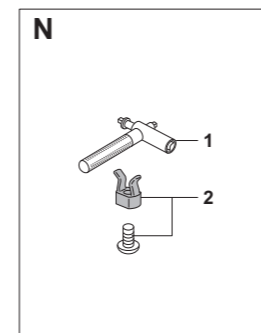
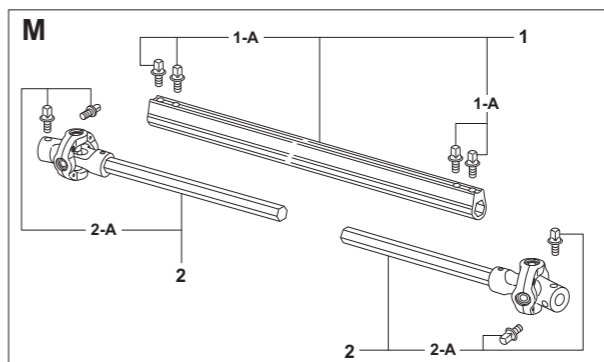
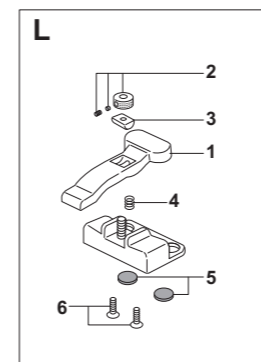
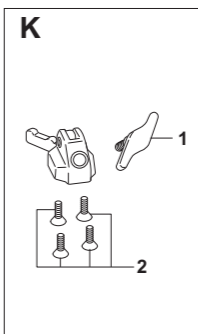
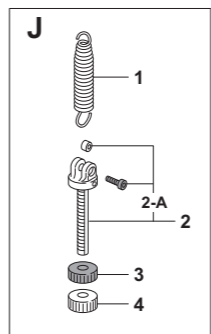
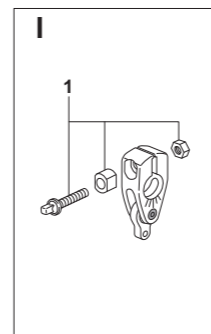
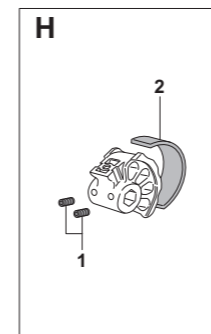
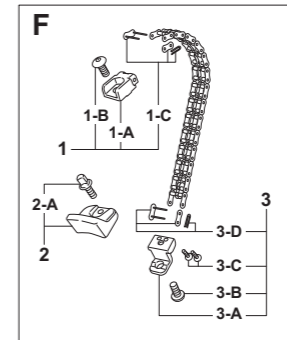
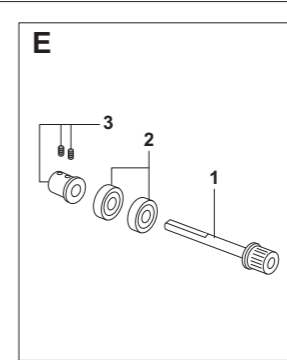
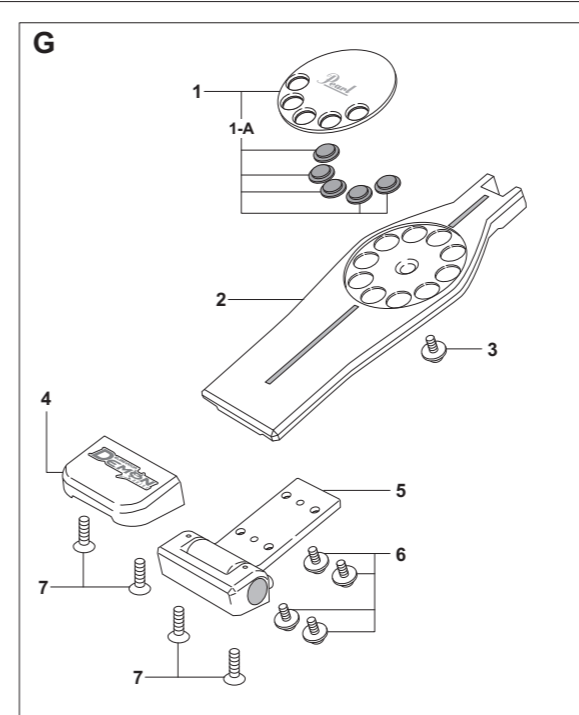
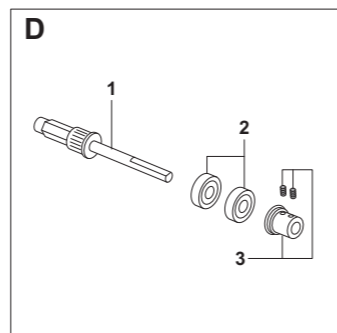
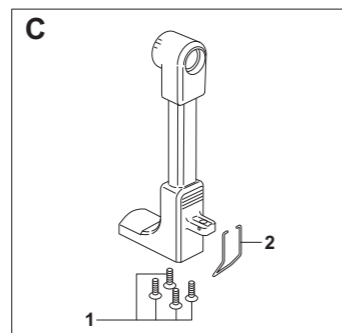
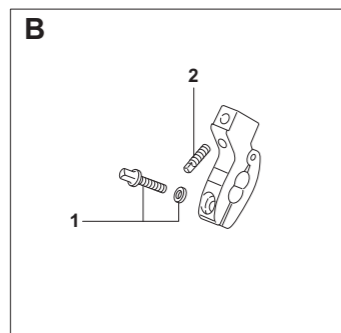
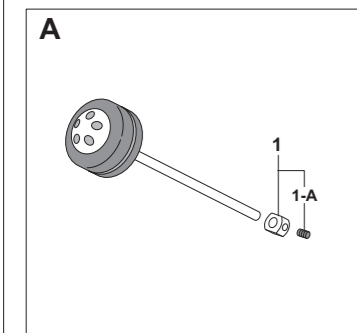
## P-3000C / 3002C



P-3000C



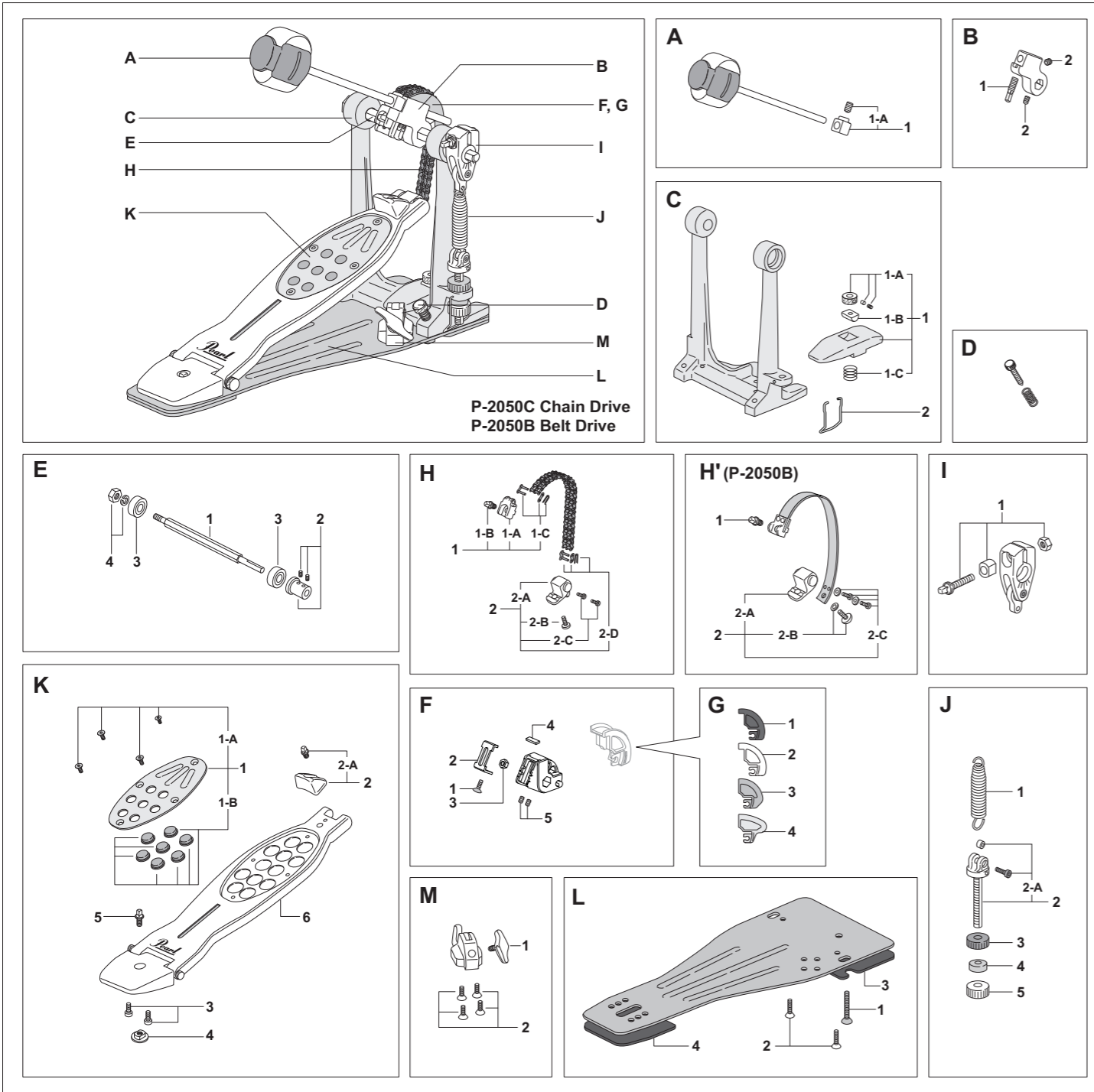
P-3002C



- A B-300F** Control Core Felt Beater
- B-300W** Control Core Wood Beater (Option)
- 1** ME-732A Beater Setting Stopper Assy.
- 1-A** SB-65 Allen Screw
- B DC-717ULA** Beater Holder Link Complete
- 1** KB-623DW Key Bolt w/Washer
- 2** SC-415 Key Bolt
- C DC-716A** Pedal Post
- 1** SC-366SC Screw (one each)
- 2** SG-014 Click Lock Lever
- D SFT-DL** Hexagonal Axle Shaft Assy.
- 1** ME-738NA Hexagonal Axle ONLY
- 2** NU-48 NiNJA Bearing (one each)
- 3** ME-741A Axle Sleeve w/Allen Screws
- E SFT-DS** Axle Shaft Assy.
- 1** ME-739NA Axle Shaft ONLY
- 2** NU-48 NiNJA Bearing (one each)
- 3** ME-741A Axle Sleeve w/Allen Screws
- F CCA-300** Double Chain Assy. Complete
- 1** DC-511ACA Chain Connecting Bracket Assy. (Top)
- 1-A** DC-511A Chain Connecting Bracket ONLY (Top)
- 1-B** SC-468 Button Bolt
- 1-C** ME-803 Chain End Connector Assy.
- 2** DC-746A Toe Stopper Assy.
- 2-A** KB-508 Key Bolt
- 3** DC-747A Chain Connecting Bracket Assy. (Bottom)
- 3-A** DC-747 Chain Connecting Bracket ONLY (Bottom)
- 3-B** SC-357 Button Bolt
- 3-C** SC-284 Screw (one each)
- 3-D** ME-803 Chain End Connector Assy.
- G FB-300AC** Footboard Assy. Complete
- 1** DC-721A Traction Plate Assy.
- 1-A** ME-728 Traction Grip (one each)
- 2** DC-722 Footboard ONLY
- 3** SC-421W Screw w/Washers
- 4** DC-720BAC Heel Plate w/Logo Plate
- 5** DC-720FA Hinge Assy.
- 6** SC-421W Screw w/Washers (one each)
- 7** SC-418 Screw (one each)
- H DC-748A** Aluminum Wheel Assy. Complete
- 1** SC-435 Allen Screw (one each)
- 2** FE-40LN Felt Strip
- I DC-714A** Uni-Lock Footboard Angle Cam Complete
- 1** KB-630DA Bolt & Nut Set
- J SPA-64D** Spring Assy. Complete
- 1** SP-64NF Spring (w/Felt) ONLY
- 2** DC-724A Adjustment Bolt Assy.
- 2-A** SC-259A Bolt & Collar Set
- 3** NP-470 Upper Nut
- 4** DC-723 Lower Nut
- K DC-399D** Hoop Clamp Lever Assy.
- 1** UGB-820C Die-Cast Wing Bolt
- 2** SC-367SC Flat-Head Screw (one each)
- L DC-719A** Hoop Clamp Assy.
- 1** DC-718A Hoop Clamp Bar w/Rubber Grip
- 2** ME-505A Adjustment Knob Assy.
- 3** ME-507 Pivot Block
- 4** SP-77 Spring
- 5** NP-464 Rubber Grip (one each)
- 6** SC-366SC Flat-Head Screw (one each)
- M DS-300A** Drive Shaft Assy. Complete
- 1** SP-65D Drive Shaft Sleeve w/Key Bolts
- 1-A** KB-608D Key Bolt (one each)
- 2** SP-602CCA Hexagonal Drive Shaft w/Key Bolts (one set)
- 2-A** KB-508D Key Bolt (one each)
- N KMF-300A** Multi Function Drum Key Dock Assy.
- 1** KMF-300 Multi Function Drum Key ONLY
- 2** NP-469A Docking Assy.
- O PR-672A** Bottom Plate
- 1** NP-467A Rubber Mat w/Adhesive Tape (Front)
- 2** NP-468A Rubber Mat w/Adhesive Tape (Heel)
- 3** NP-474 Velcro Tape (one each)

# DRUM PEDALS

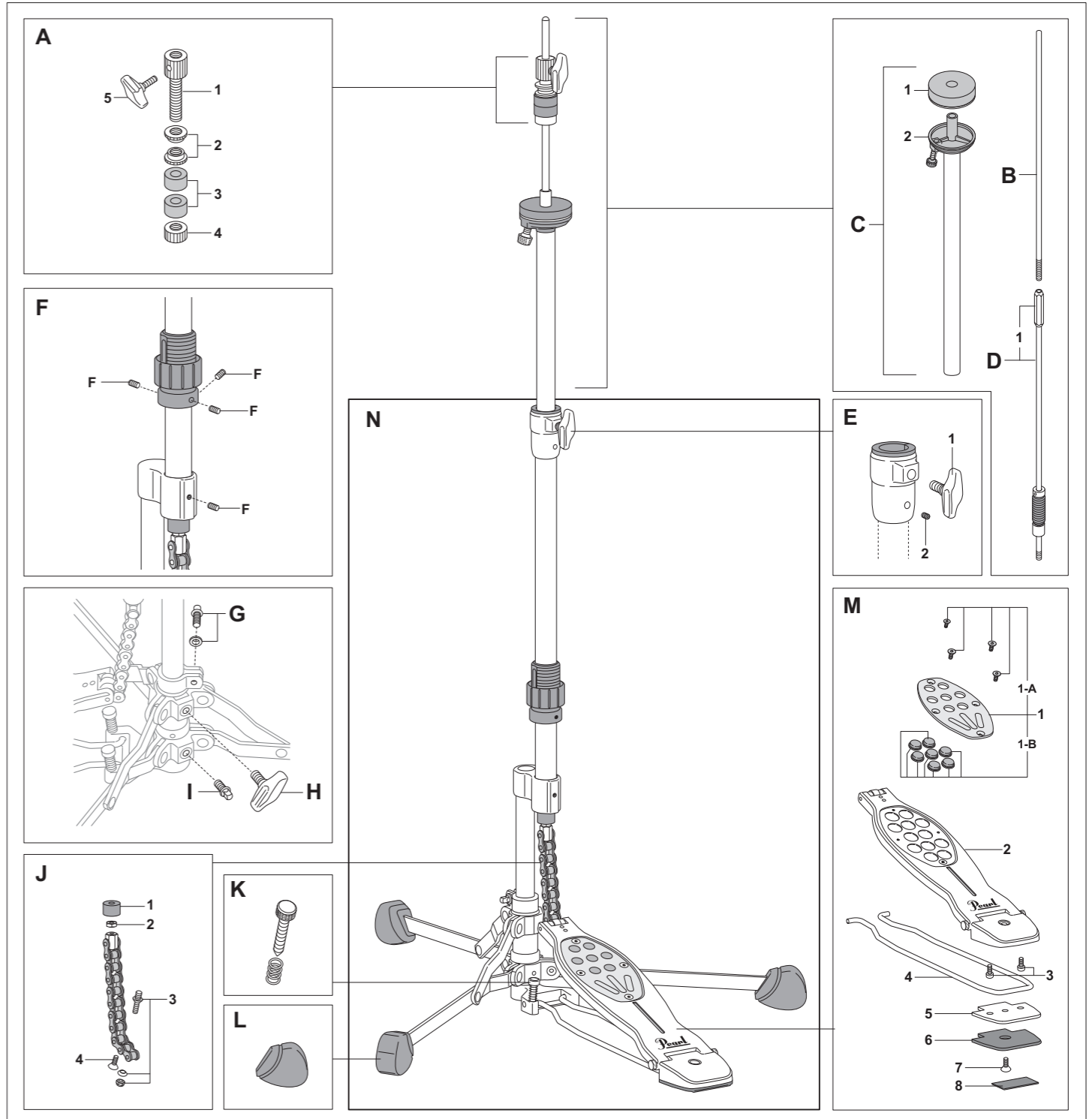
## P-2050C / 2050B



- |          |                 |                                      |           |                            |          |                 |                                      |
|----------|-----------------|--------------------------------------|-----------|----------------------------|----------|-----------------|--------------------------------------|
| <b>A</b> | <b>B-250QB</b>  | <b>Quad Beater Complete</b>          | <b>G</b>  | <b>Interchangeable Cam</b> | <b>J</b> | <b>SPA-64D</b>  | <b>Spring Assy. Complete</b>         |
| 1        | DC-394A         | Beater Setting Stopper Assy.         | 1         | CAMT-BK                    | 1        | SP-64NF         | Spring (w/Felt) ONLY                 |
| 1-A      | SB-66           | Allen Screw                          | 2         | CAMT-WT                    | 2        | DC-724A         | Adjustment Bolt Assy.                |
| <b>B</b> | <b>AD-035A</b>  | <b>Beater Holder Link Complete</b>   | 3         | CAMT-BL                    | 2-A      | SC-259A         | Bolt & Collar Set                    |
| 1        | KB-814          | Key Bolt                             | 4         | CAMT-RD                    | 3        | NP-470          | Upper Nut                            |
| 2        | SB-66           | Allen Screw (one each)               | <b>H</b>  | <b>CCA-5</b>               | 4        | ME-792          | Spacer                               |
| <b>C</b> | <b>DC-514VA</b> | <b>Pedal Frame w/Hoop Clamp</b>      | 1         | DC-511AA                   | 5        | DC-723          | Lower Nut                            |
| 1        | DC-514VCA       | Hoop Clamp Assy.                     | 1-A       | DC-511A                    | <b>K</b> | <b>FB-2050A</b> | <b>Footboard Assy. Complete</b>      |
| 1-A      | ME-505A         | Adjustment Knob Assy.                | 1-B       | KB-508                     | 1        | AL-24GA         | Traction Plate Assy.                 |
| 1-B      | ME-507          | Pivot Block                          | 1-C       | ME-244                     | 1-A      | SC-363L         | Mounting Screw (one each)            |
| 1-C      | SG-001          | Spring                               | 2         | DC-511BA                   | 1-B      | NP-283RV        | Traction Grip (one each)             |
| 2        | SP-82           | Click Lock Lever                     | 2-A       | DC-511B                    | 2        | DC-508A         | Toe Stopper Assy.                    |
| <b>D</b> | <b>LT-636</b>   | <b>Anchor Screw w/Spring</b>         | 2-B       | SC-357                     | 2-A      | KB-508          | Key Bolt                             |
| <b>E</b> | <b>SM-028A</b>  | <b>Hexagonal Axle Assy.</b>          | 2-C       | SC-284                     | 3        | SC-261          | Screw (one each)                     |
| 1        | SM-028          | Hexagonal Axle ONLY                  | 2-D       | ME-244                     | 4        | ZD-041          | Heel Position Adjust Nut             |
| 2        | ME-741A         | Axle Sleeve w/Allen Screws           | <b>H'</b> | <b>BCA-250</b>             | 5        | KB-608          | Key Bolt                             |
| 3        | BE-004          | NiNJA Bearing (one each)             | 1         | KB-512                     | 6        | AD-032A         | Footboard Assy. ONLY                 |
| 4        | BSA-3           | End Nut w/Washer                     | 2         | DC-510BA                   | <b>L</b> | <b>PR-548A</b>  | <b>Power Plate Assy. Complete</b>    |
| <b>F</b> | <b>AD-034A</b>  | <b>Aluminum Wheel Assy. Complete</b> | 2-A       | DC-510B                    | 1        | SC-325R         | Screw                                |
| 1        | SC-327H         | Flat-Head Screw                      | 2-B       | SC-357W                    | 2        | SC-149          | Screw (one each)                     |
| 2        | PR-546          | Slider Bracket                       | 2-C       | SC-287W                    | 3        | NP-284S         | Rubber Mat (Front)                   |
| 3        | NU-10           | Hexagonal Nut                        | <b>I</b>  | <b>DC-714A</b>             | 4        | NP-285          | Rubber Mat (Heel)                    |
| 4        | FE-40C          | Felt                                 | 1         | KB-630DA                   | <b>M</b> | <b>DC-399S</b>  | <b>Hoop Clamp Cam Assy. Complete</b> |
| 5        | SB-66           | Allen Screw (one each)               |           |                            | 1        | UGB-820C        | Die-Cast Wing Bolt                   |
|          |                 |                                      |           |                            | 2        | SC-191BN        | Screw (one each)                     |

# DRUM PEDALS

## H-150S

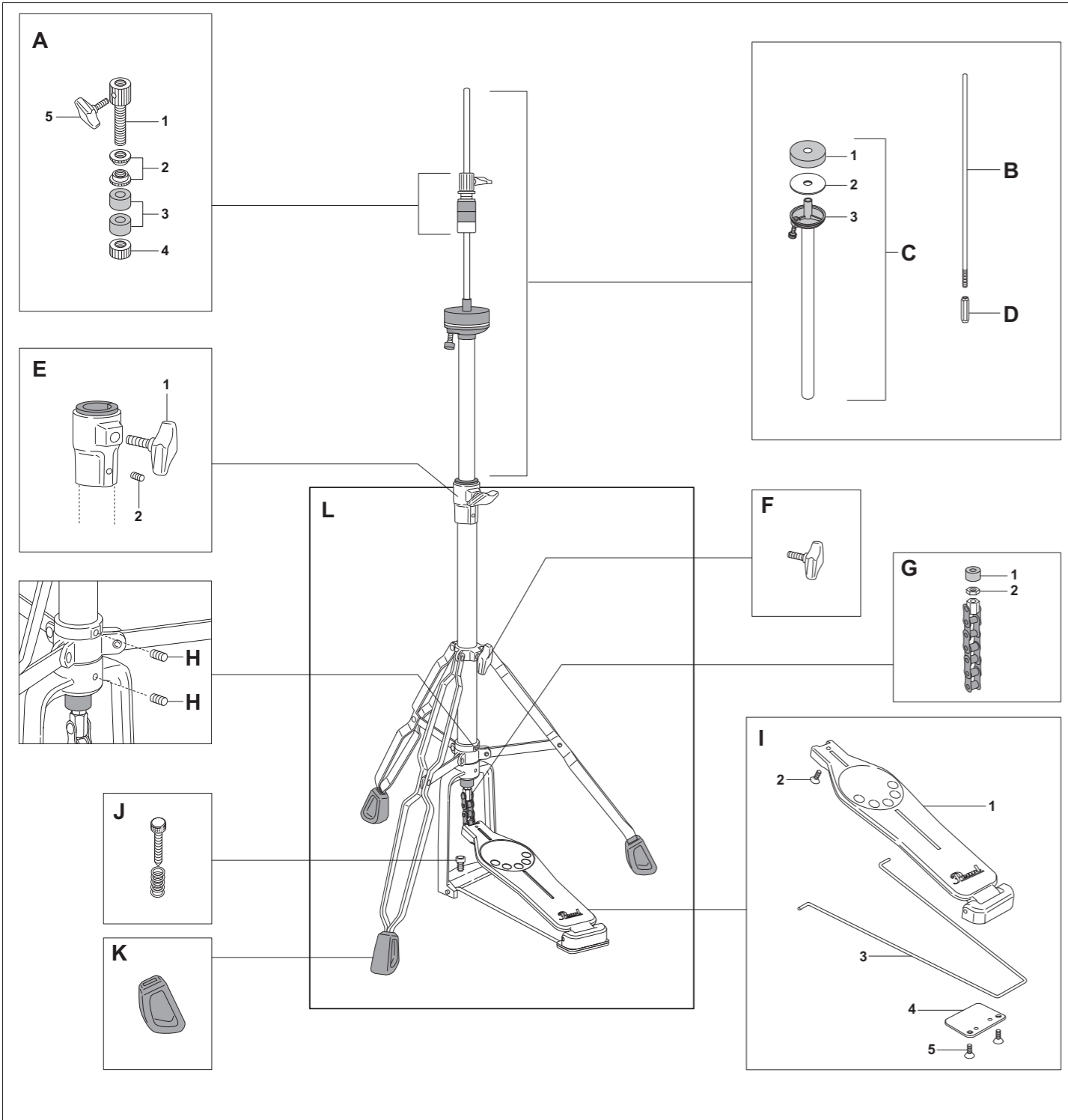


- |          |                |                                  |          |                 |                                      |          |                 |                              |
|----------|----------------|----------------------------------|----------|-----------------|--------------------------------------|----------|-----------------|------------------------------|
| <b>A</b> | <b>HCL-90</b>  | <b>Hi-Hat Clutch Complete</b>    | <b>E</b> | <b>PJ-70</b>    | <b>Die-Cast Joint Assy. Complete</b> | <b>K</b> | <b>LT-636S</b>  | <b>Anchor Screw w/Spring</b> |
| 1        | SM-011         | Pipe Bolt                        | 1        | UGB-815S        | Die-Cast Wing Bolt                   | 1        | AL-24GA         | Traction Plate Assy.         |
| 2        | AM-001         | Lock Nut (one each)              | 2        | SB-44           | Allen Screw                          | 2        | SC-363L         | Mounting Screw (one each)    |
| 3        | FLW-007        | Felt Washer (one each)           | <b>F</b> | <b>SB-55</b>    | <b>Allen Screw (one each)</b>        | <b>G</b> | <b>KB-615WS</b> | <b>Key Bolt w/Washer</b>     |
| 4        | AM-002         | Bottom Lock Nut                  | <b>H</b> | <b>UGB-815S</b> | <b>Die-Cast Wing Bolt</b>            | <b>I</b> | <b>KB-814</b>   | <b>Key Bolt</b>              |
| 5        | UGB-610        | Die-Cast Wing Bolt               | <b>J</b> | <b>LC-15S</b>   | <b>Pull Rod Link Assy.</b>           | 1        | RB-017          | Rubber Washer                |
| <b>B</b> | <b>SM-012S</b> | <b>Upper Pull Rod</b>            | 2        | NU-19           | Nut                                  | 2        | SM-110A         | Chain-Link Post Assy.        |
| <b>C</b> | <b>UT-H15S</b> | <b>Upper Tube Assy. Complete</b> | 3        | SM-110A         | Chain-Link Post Assy.                | 3        | SC-366SC        | Screw                        |
| 1        | FLW-009SW      | Felt Washer w/Steel Washer       | 4        | SC-366SC        | Screw                                | <b>N</b> | <b>BA-H15S</b>  | <b>Base Assy. Complete</b>   |
| 2        | HHC-79         | Plastic Cup w/Filter.            |          |                 |                                      |          |                 |                              |
| <b>D</b> | <b>LPR-150</b> | <b>Lower Pull Rod Complete</b>   |          |                 |                                      |          |                 |                              |
| 1        | SM-116         | Pull Rod Connector ONLY          |          |                 |                                      |          |                 |                              |



# HI-HAT STANDS

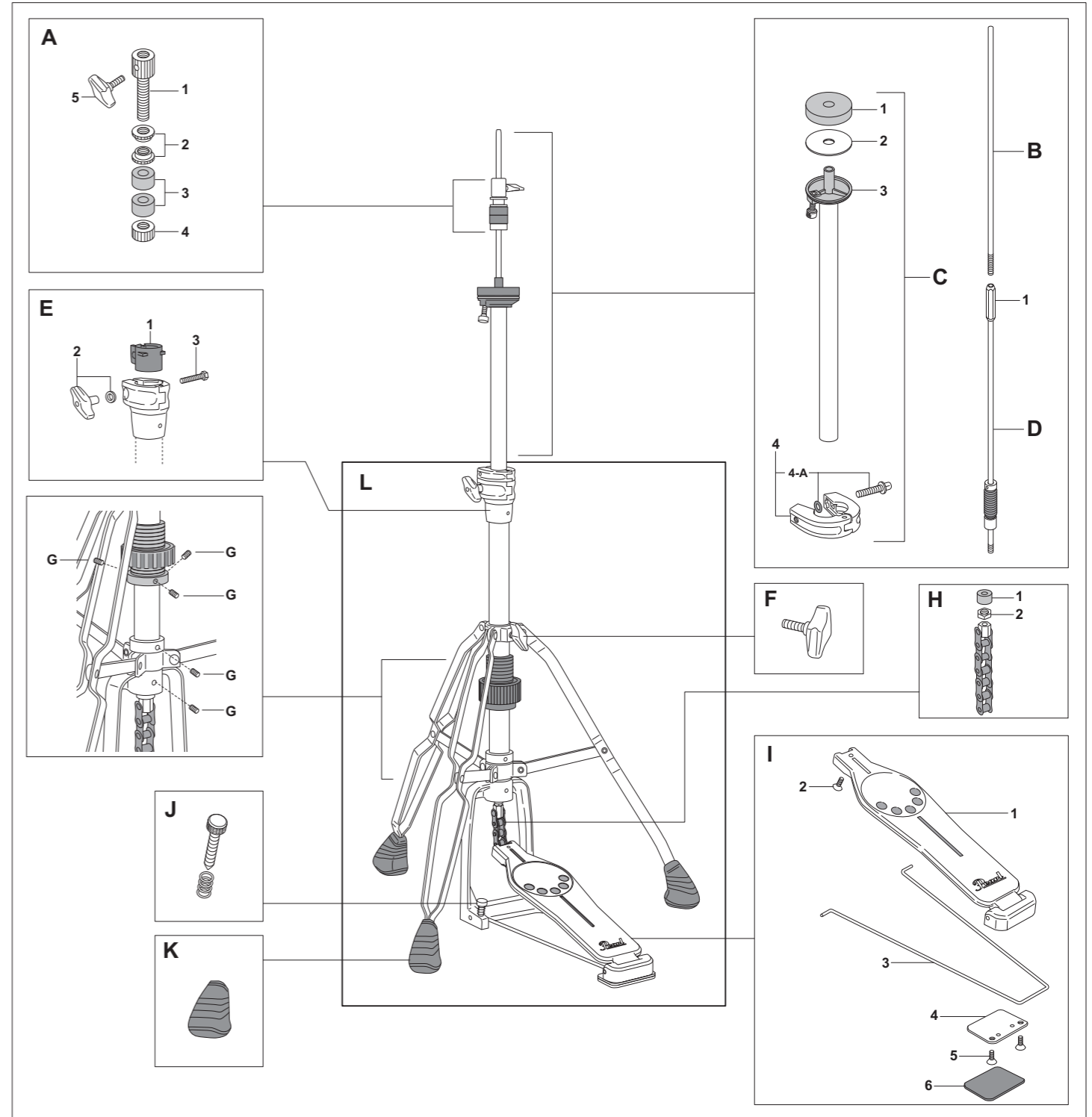
## H-830



<b>A</b>	<b>HCL-79</b>	<b>Hi-Hat Clutch Complete</b>	<b>F</b>	<b>UGB-815S</b>	<b>Die-Cast Wing Bolt</b>
1	SM-011	Pipe Bolt	<b>G</b>	<b>LC-93</b>	<b>Pull Rod Link Assy.</b>
2	AM-001	Lock Nut (one each)	1	RB-017	Rubber Washer
3	FE-10	Felt Washer (one each)	2	NU-19	Nut
4	AM-002	Bottom Lock Nut	<b>H</b>	<b>SB-55</b>	<b>Allen Screw</b>
5	UGB-610	Die-Cast Wing Bolt	<b>I</b>	<b>FB-930UHA</b>	<b>Footboard Assy. Complete</b>
<b>B</b>	<b>SM-012</b>	<b>Upper Pull Rod</b>	1	FB-930U	Footboard ONLY
<b>C</b>	<b>UT-H83</b>	<b>Upper Tube Assy. Complete</b>	2	SC-367	Screw
1	FE-33	Felt Washer	3	RR-93	Radius Rod
2	HCW-90	Steel Washer	4	STL-2	Radius Rod Cover
3	HHC-90	Plastic Cup w/Tilter	5	SC-366SC	Screw (one each)
<b>D</b>	<b>ME-42N</b>	<b>Pull Rod Connector ONLY</b>	<b>J</b>	<b>LT-626</b>	<b>Anchor Screw w/Spring</b>
<b>E</b>	<b>PJ-83L</b>	<b>Die-Cast Joint Assy. Complete</b>	<b>K</b>	<b>RB-022</b>	<b>Rubber Tip (one each)</b>
1	UGB-815S	Die-Cast Wing Bolt	<b>L</b>	<b>BA-H83</b>	<b>Base Assy. Complete</b>
2	SB-44	Allen Screw			

# HI-HAT STANDS

## H-930

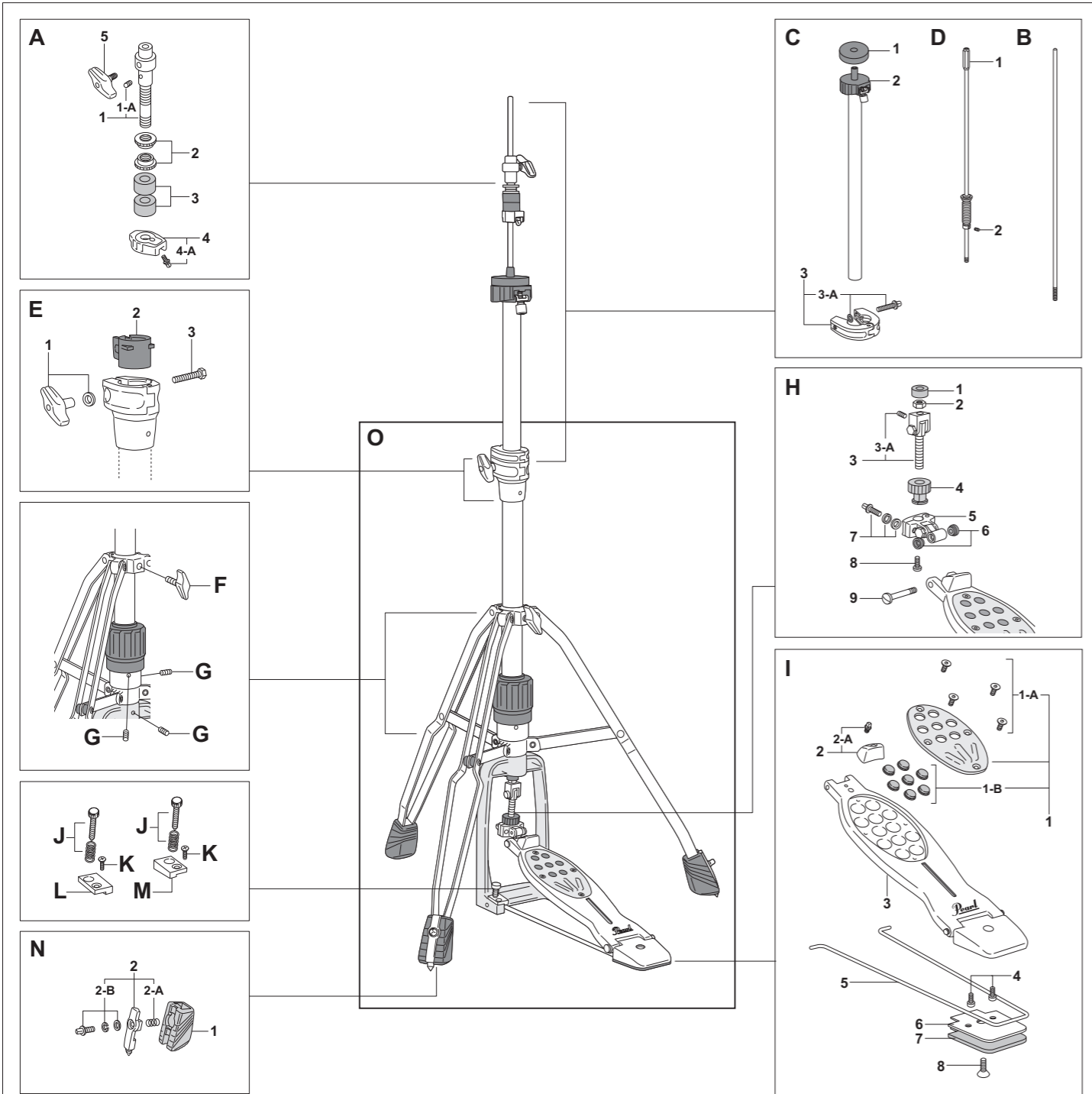


<b>A</b>	<b>HCL-90</b>	<b>Hi-Hat Clutch Complete</b>	<b>E</b>	<b>PJ-100L</b>	<b>Die-Cast Joint Assy. Complete</b>	<b>I</b>	<b>FB-930HA</b>	<b>Footboard Assy. Complete</b>
1	SM-011	Pipe Bolt	1	NP-366	Nylon Bushing	1	FB-930	Footboard ONLY
2	AM-001	Lock Nut (one each)	2	UGN-6	Die-Cast Wing Nut w/Washer	2	SC-367	Screw
3	FLW-007	Felt Washer (one each)	3	SC-169	Clamp Bolt	3	RR-93	Radius Rod
4	AM-002	Bottom Lock Nut	<b>F</b>	<b>UGB-815S</b>	<b>Die-Cast Wing Bolt</b>	4	STL-2	Radius Rod Cover
5	UGB-610	Die-Cast Wing Bolt	<b>G</b>	<b>SB-55</b>	<b>Allen Screw (one each)</b>	5	SC-366SC	Screw (one each)
<b>B</b>	<b>SM-012</b>	<b>Upper Pull Rod</b>	<b>H</b>	<b>LC-93</b>	<b>Pull Rod Link Assy.</b>	6	RB-018	Rubber Mat
<b>C</b>	<b>UT-H93</b>	<b>Upper Tube Assy. Complete</b>	1	RB-017	Rubber Washer	<b>J</b>	<b>LT-626</b>	<b>Anchor Screw w/Spring</b>
1	FLW-003	Felt Washer	2	NU-19	Nut	<b>K</b>	<b>RB-008</b>	<b>Rubber Tip (one each)</b>
2	HCW-90	Steel Washer	<b>L</b>	<b>BA-H93</b>	<b>Base Assy. Complete</b>			
3	HHC-90	Plastic Cup w/Tilter						
4	ZD-104A	Stop Lock Complete						
4-A	KB-625O	Key Bolt w/O-Ring						
<b>D</b>	<b>LPR-90</b>	<b>Lower Pull Rod Complete</b>						
1	SM-116	Pull Rod Connector ONLY						



# HI-HAT STANDS

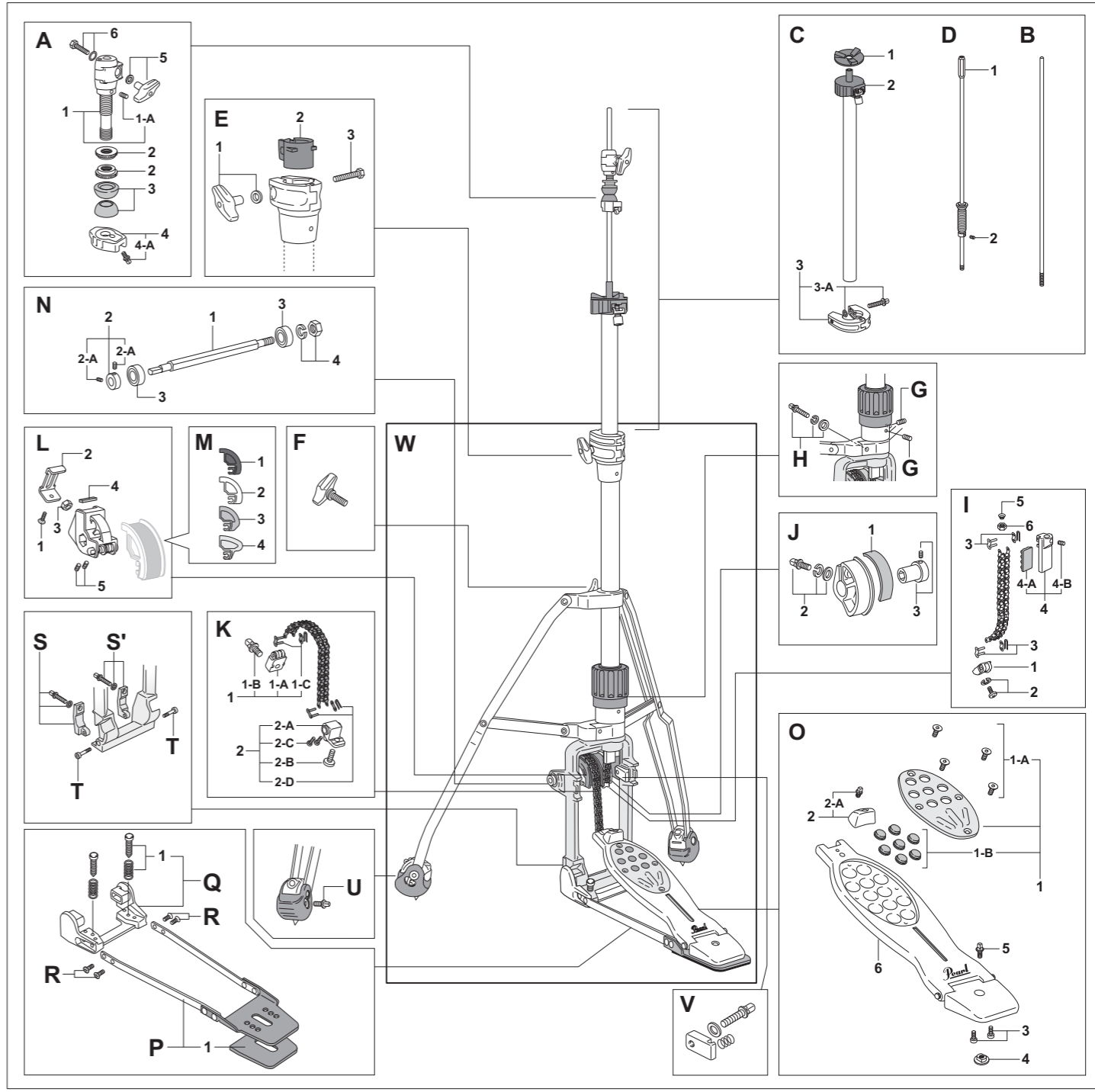
## H-1050



- |  |   |  |
|--|---|--|
| <b>A</b> CL-300 HI-Hat Clutch Complete         | <b>H</b> FCA-100 Pedal Link Complete        | <b>J</b> LT-636 Anchor Screw w/Spring            |
| 1 ME-574AC Pipe Bolt                           | 1 RB-004 Rubber Washer                      | <b>K</b> SC-39 Screw (one each)                  |
| 1-A SB-44 Allen Screw                          | 2 NU-19 Nut                                 | <b>L</b> DC-557LF Anchor Plate, Left             |
| 2 AM-001 Lock Nut (one each)                   | 3 DC-558AC Upper Link Assy.                 | <b>M</b> DC-557RF Anchor Plate, Right            |
| 3 FLW-007 Felt Washer (one each)               | 3-A SB-44 Allen Screw                       | <b>N</b> NP-427AC Convertible Tip Assy. Complete |
| 4 DC-554A Bottom Lock Nut Complete             | 4 NP-353 Height Adjuster                    | 1 NP-427 Rubber Tip ONLY                         |
| 4-A KB-610 Key Bolt                            | 5 DC-556AC Lower Link Assy.                 | 2 DC-523A Spike Assy. Complete                   |
| 5 UGB-610 Die-Cast Wing Bolt                   | 6 NP-352 Nylon Spacer (one each)            | 2-A SG-004 Spring                                |
| <b>B</b> SM-012 Upper Pull Rod                 | 7 KB-615W Key Bolt w/Washers                | 2-B KB-625W Key Bolt w/Washers                   |
| <b>C</b> HUP-105 Upper Tube Assy. Complete     | 8 SC-351 Screw                              | <b>O</b> BA-H105 Base Assy. Complete             |
| 1 FLW-003 Felt Washer                          | 9 ME-569N Pivot Bolt                        |  |
| 2 HHC-20 Plastic Cup w/Tilter                  | <b>I</b> FB-1050HA Footboard Assy. Complete |  |
| 3 ZD-102A Stop Lock Complete                   | 1 AL-24GA Traction Plate Assy.              |  |
| 3-A KB-625O Key Bolt w/O-Ring                  | 1-A SC-363L Mounting Screw (one each)       |  |
| <b>D</b> LS-200 Lower Pull Rod Complete        | 1-B NP-283RV Traction Grip (one each)       |  |
| 1 SM-116 Pull Rod Connector ONLY               | 2 DC-508A Toe Stopper Assy.                 |  |
| 2 SB-44 Allen Screw                            | 2-A KB-508 Key Bolt                         |  |
| <b>E</b> PJ-100H Die-Cast Joint Assy. Complete | 3 AD-032HA Footboard Assy. ONLY             |  |
| 1 UGN-6 Die-Cast Wing Nut w/Washer             | 4 SC-261 Screw (one each)                   |  |
| 2 NP-365 Nylon Bushing                         | 5 RR-90 Radius Rod                          |  |
| 3 SC-169 Clamp Bolt                            | 6 RRC-90 Radius Rod Cover                   |  |
| <b>F</b> UGB-815S Die-Cast Wing Bolt           | 7 NP-387 Rubber Mat                         |  |
| <b>G</b> SB-55 Allen Screw (one each)          | 8 SC-258 Screw                              |  |

# HI-HAT STANDS

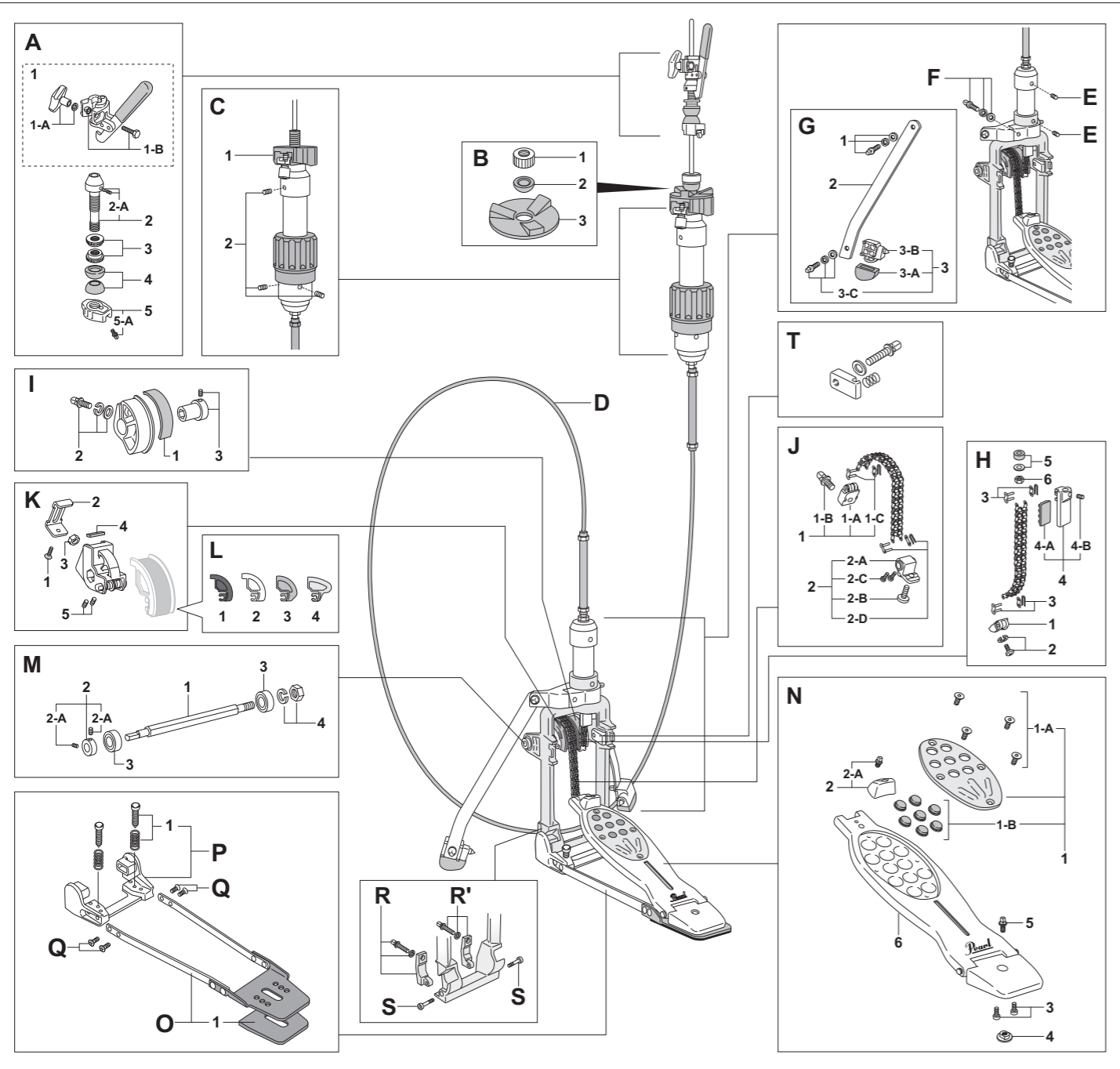
## H-2050



- |  |  |  |
|--|--|--|
| <b>A</b> SGC-300P Super Grip Clutch                  | <b>4</b> DC-524A Rod Connector, Complete           | <b>N</b> SM-115A Hexagonal Axle Assy.                              |
| 1 DC-526A Pipe Bolt                                  | 4-A NP-296 Rubber Cushion                          | 1 SM-115 Hexagonal Axle ONLY                                       |
| 1-A SB-44 Allen Screw                                | 4-B SB-44 Allen Screw                              | 2 ME-518A Axle Sleeve w/Allen Screws                               |
| 2 AM-001 Lock Nut (one each)                         | 5 SG-013 Waggle Spring                             | 2-A SB-44 Allen Screw (one each)                                   |
| 3 NP-210 Rubber Washer (one each)                    | 6 NU-19 Nut  | 3 NU-07B Bearing (one each)  |
| 4 DC-554A Bottom Lock Nut Complete                   | <b>J</b> DC-525NA Aluminum Pull Cam Assy. Complete | 4 BSA-3 End Nut w/Washer   |
| 4-A KB-610 Key Bolt                                  | 1 FE-41 Felt Strip                                 | <b>O</b> FB-2050HA Footboard Assy. Complete                        |
| 5 UGN-6 Die-Cast Wing Nut w/Washer                   | 2 KB-625W Drive Shaft Sleeve w/Allen Screw         | 1 AL-24GA Traction Plate Assy.                                     |
| 6 SC-168O Clamp Bolt w/O-Ring                        | 3 SM-098A Chain End Connector Assy.                | 1-A SC-363L Mounting Screw (one each)                              |
| <b>B</b> SM-012S Upper Pull Rod                      | <b>K</b> CCA-5H Double Chain Assy. Complete        | 1-B NP-283RV Traction Grip (one each)                              |
| <b>C</b> HUP-205 Upper Tube Assy. Complete           | 1 DC-511AA Chain Connecting Bracket Assy. (Top)    | 2 DC-508A Toe Stopper Assy.  |
| 1 NP-208 Rubber Cup Washer                           | 1-A DC-511A Chain Connecting Bracket ONLY (Top)    | 2-A KB-508 Key Bolt  |
| 2 HHC-20 Plastic Cup w/Tilter                        | 1-B KB-508 Key Bolt                                | 3 SC-261 Screw (one each)  |
| 3 ZD-102A Stop Lock Complete                         | 1-C ME-244 Chain End Connector Assy.               | 4 ZD-041 Heel Position Adjust Nut                                  |
| 3-A KB-625O Key Bolt w/O-Ring                        | 2 DC-511BA Chain Connecting Bracket Assy. (Bottom) | 5 KB-608 Key Bolt  |
| <b>D</b> LS-200 Lower Pull Rod Complete              | 2-A DC-511B Chain Connecting Bracket ONLY (Bottom) | 6 AD-032A Footboard Assy. ONLY                                     |
| 1 SM-116 Pull Rod Connector ONLY                     | 2-B SC-357 Screw                                   | <b>P</b> PR-660F Pedal Frame Assy. Complete                        |
| 2 SB-44 Allen Screw                                  | 2-C SC-284 Screw (one each)                        | 1 NP-285 Rubber Mat  |
| <b>E</b> PJ-100H Die-Cast Joint Assy. Complete       | 2-D ME-244 Chain End Connector Assy.               | <b>Q</b> DC-701A Frame Sleeve w/Screw                              |
| 1 UGN-6 Die-Cast Wing Nut w/Washer                   | <b>L</b> AD-034A Aluminum Wheel Assy. Complete     | 1 LT-626 Anchor Screw w/Spring                                     |
| 2 NP-365 Nylon Bushing                               | 1 SC-327H Flat-Head Screw                          | <b>R</b> SC-39 Screw (one each)                                    |
| 3 SC-169 Clamp Bolt                                  | 2 PR-546 Slider Bracket                            | <b>S</b> DC-700VLA Receiver Clamp w/Key Bolt & Washer - Left       |
| <b>F</b> UGB-815S Die-Cast Wing Bolt                 | 3 NU-10 Hexagonal Nut                              | <b>S'</b> DC-700VRA Receiver Clamp w/Key Bolt & Washer - Right     |
| <b>G</b> SB-55 Allen Screw (one each)                | 4 FE-40C Felt                                      | <b>T</b> ME-712 Pivot Screw  |
| <b>H</b> KB-625W Key Bolt w/Washers                  | 5 SB-66 Allen Screw (one each)                     | <b>U</b> KB-625 Key Bolt   |
| <b>I</b> CCA-6H Chain Assy. Complete (pull cam side) | <b>M</b> Interchangeable Cam                       | <b>V</b> DC-699A Docking Station Clamp w/Key Bolt, Washer & Spring |
| 1 DC-400 Chain Connector                             | 1 CAMT-BK Black Cam                                | <b>W</b> BA-H205 Base Assy. Complete                               |
| 2 SC-94W Screw w/Washer                              | 2 CAMT-WT White Cam                                |  |
| 3 ME-244 Chain End Connector Assy. (one each)        | 3 CAMT-BL Blue Cam                                 |  |
|  | 4 CAMT-RD Red Cam                                  |  |

# REMOTE HI-HAT

## RH-2050



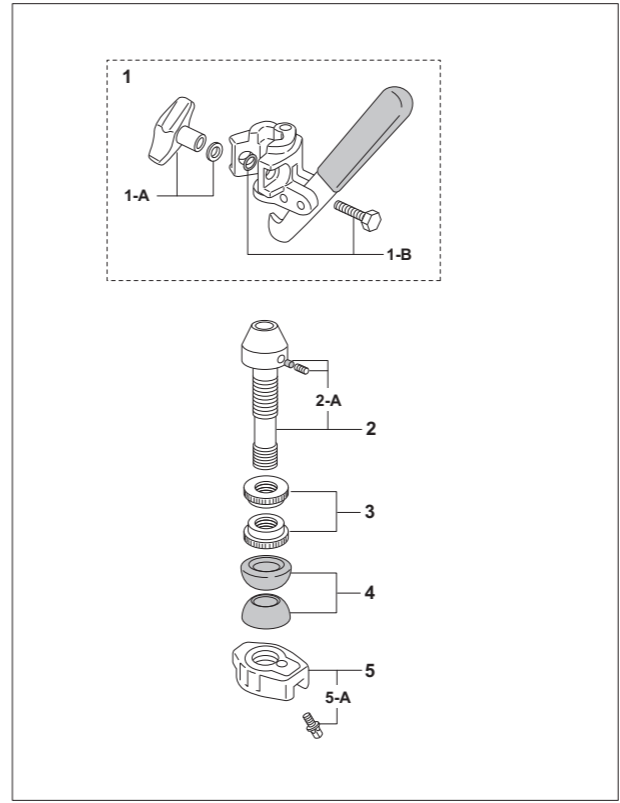
- A DCL-300P Drop Clutch**
- 1 DCL-300T Drop Clutch Head Assy.
- 1-A UGN-6 Die-Cast Wing Nut w/Washer
- 1-B SC-168O Clamp Bolt w/O-Ring
- 2 ME-642A Drop Clutch Bolt
- 2-A SB-55S Allen Screw w/Spacer
- 3 AM-001 Lock Nut (one each)
- 4 NP-210 Rubber Washer (one each)
- 5 DC-554A Bottom Lock Nut Complete
- 5-A KB-610 Key Bolt
- B CYS-200AA Cymbal Seat Assy.**
- 1 ME-188 Lock Nut
- 2 NP-210 Rubber Washer
- 3 NP-208 Rubber Cup Washer
- C HUP-200R Upper Tube Assy. Complete**
- 1 HHC-20R Plastic Cup w/Tiltler
- 2 SB-55 Allen Screw (one each)
- D CAU-2000 Cable Unit Complete, w/Nuts & Washers**
- E SB-55 Allen Screw (one each)**
- F KB-625W Key Bolt w/Washers**
- G PS-061A Leg Assy. Complete**
- 1 KB-625W Key Bolt w/Washers
- 2 PS-061 Leg ONLY
- 3 CT-88A Convertible Tip Assy. Complete
- 3-A R-8H Rubber Tip (one each)
- 3-B AN-88 Spike
- 3-C KB-615W Key Bolt w/Washers
- H CCA-6RH Chain Assy. Complete (pull cam side)**
- 1 DC-400 Chain Connector
- 2 SC-94W Screw w/Washer
- 3 ME-244 Chain End Connector Assy. (one each)

- 4 DC-524A Rod Connector, Complete
- 4-A NP-296 Rubber Cushion
- 4-B SB-44 Allen Screw
- 5 FE-42W Felt Washer w/Washer
- 6 NU-19 Nut
- I DC-525NA Aluminum Pull Cam Assy. Complete**
- 1 FE-41 Felt Strip
- 2 KB-625W Key Bolt w/Washers
- 3 SM-098A Drive Shaft Sleeve w/Allen Screw
- J CCA-5H Double Chain Assy. Complete**
- 1 DC-511AA Chain Connecting Bracket Assy. (Top)
- 1-A DC-511A Chain Connecting Bracket ONLY (Top)
- 1-B KB-508 Key Bolt
- 1-C ME-244 Chain End Connector Assy.
- 2 DC-511BA Chain Connecting Bracket Assy. (Bottom)
- 2 DC-511B Chain Connecting Bracket ONLY (Bottom)
- 2-B SC-357 Screw
- 2-C SC-284 Screw (one each)
- 2-D ME-244 Chain End Connector Assy.
- K AD-034A Aluminum Wheel Assy. Complete**
- 1 SC-327H Flat-Head Screw
- 2 PR-546 Slider Bracket
- 3 NU-10 Hexagonal Nut
- 4 FE-40C Felt
- 5 SB-66 Allen Screw (one each)
- L Interchangeable Cam**
- 1 CAMT-BK Black Cam
- 2 CAMT-WT White Cam
- 3 CAMT-BL Blue Cam
- 4 CAMT-RD Red Cam

- M SM-115A Hexagonal Axle Assy.**
- 1 SM-115 Hexagonal Axle ONLY
- 2 ME-518A Axle Sleeve w/Allen Screws
- 2-A SB-44 Allen Screw (one each)
- 3 NU-07B Bearing (one each)
- 4 BSA-3 End Nut w/Washer
- N FB-2050HA Footboard Assy. Complete**
- 1 AL-24GA Traction Plate Assy.
- 1-A SC-363L Mounting Screw (one each)
- 1-B NP-283RV Traction Grip (one each)
- 2 DC-508A Toe Stopper Assy.
- 2-A KB-508 Key Bolt
- 3 SC-261 Screw (one each)
- 4 ZD-041 Heel Position Adjust Nut
- 5 KB-608 Key Bolt
- 6 AD-032A Footboard Assy. ONLY
- O PR-660F Pedal Frame Assy. Complete**
- 1 NP-285 Rubber Mat
- P DC-701A Frame Sleeve w/Screw**
- 1 LT-626 Anchor Screw w/Spring
- Q SC-39 Screw (one each)**
- R DC-700VLA Receiver Clamp w/Key Bolt & Washer - Left**
- R' DC-700VRA Receiver Clamp w/Key Bolt & Washer - Right**
- S ME-712 Pivot Screw**
- T DC-699A Docking Station Clamp w/Key Bolt, Washer & Spring**

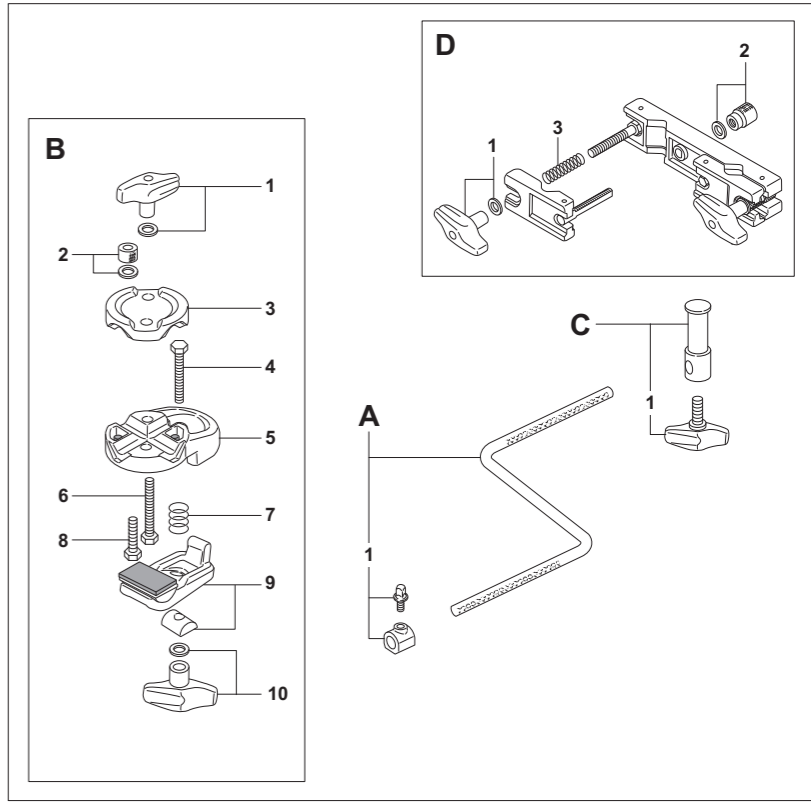
# HI-HAT ACCESSORIES

## DCL-300P Drop Clutch



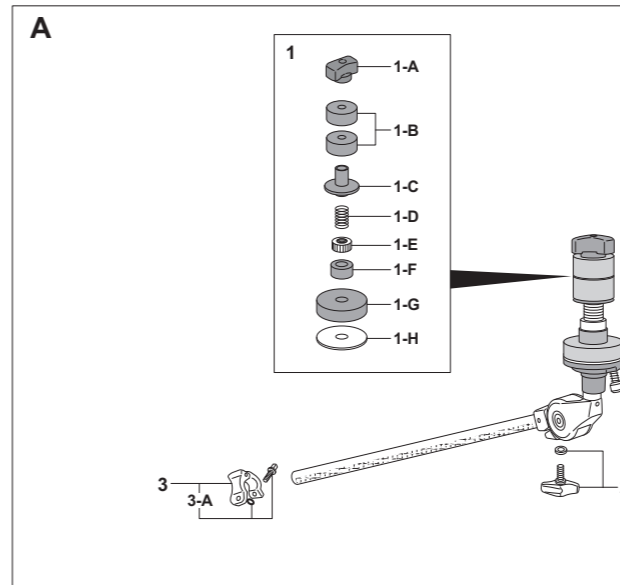
- 1 DCL-300T Drop Clutch Head Assy.
- 1-A UGN-6 Die-Cast Wing Nut w/Washer
- 1-B SC-168O Clamp Bolt w/O-Ring
- 2 ME-642A Drop Clutch Bolt
- 2-A SB-55S Allen Screw w/Spacer
- 3 AM-001 Lock Nut (one each)
- 4 NP-210 Rubber Washer (one each)
- 5 DC-554A Bottom Lock Nut Complete
- 5-A KB-610 Key Bolt

## HA-130 Hi-Hat Attachment

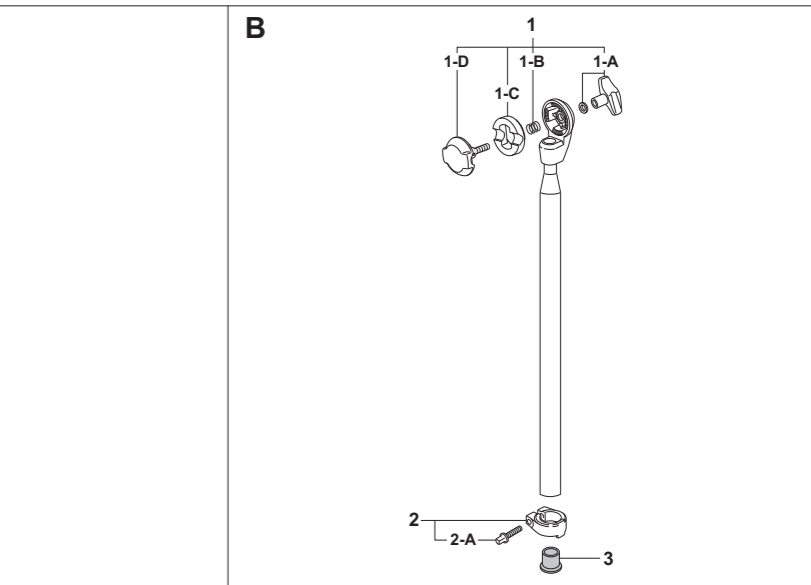


- A SM-081A Crank Rod Assy. Complete**
- 1 AD-031A Stop Lock Complete
- B HCP-130 Hoop Mount Assy. Complete**
- 1 UGN-6 Die-Cast Wing Nut w/Washer
- 2 SM-083A Knurled Round Nut w/Washer
- 3 AD-028 Clamp Plate
- 4 SC-181 Clamp Bolt
- 5 AD-027A Hoop Mount Holder
- 6 SC-181 Clamp Bolt
- 7 SG-006N Spring
- 8 SC-168 Clamp Bolt
- 9 AD-029A Hoop Clamp Assy.
- 10 UGN-6 Die-Cast Wing Nut w/Washer
- C SM-082A Crank Rod Bracket**
- 1 UGB-815 Wing Bolt
- D ADP-20 Adaptor**
- 1 UGN-8 Die-Cast Wing Nut w/Washer (one set)
- 2 M-8RN Knurled Round Nut w/Washer
- 3 SG-009 Spring

## CLH-930



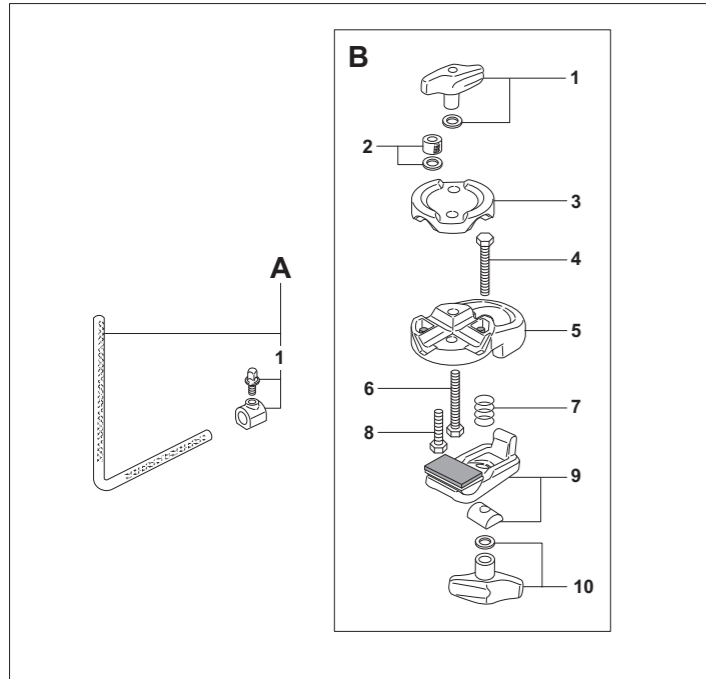
- A AA-CLH93 Upper Section Assy. Complete**
- 1 UTS-CLH93 Top Section Assy.
- 1-A PL-010 Plastic Cymbal Nut
- 1-B FLW-001 Felt Washer (one each)
- 1-C NP-123 Plastic Sleeve
- 1-D SP-41 Spring
- 1-E ME-188 Lock Nut
- 1-F FLW-008 Felt Washer
- 1-G FLW-003 Felt Washer
- 1-H HCW-90 Steel Washer
- 2 UGB-830W Die-Cast Wing Bolt w/Washer
- 3 DC-627AN Stop Lock Complete
- 3-A KB-615O Key Bolt w/O-Ring



- B UT-CH93BC Tube Assy. Complete**
- 1 BC-BC90 Boom Clamp Assy. Complete
- 1-A UGN-8 Die-Cast Wing Nut w/Washer
- 1-B SG-001 Spring
- 1-C ZD-018N Clamp Gear Link
- 1-D ZD-019A Boom Clamp Bolt
- 2 ZD-081A Stop Lock Complete
- 2-A KB-625 Key Bolt
- 3 NP-164 Plastic End Cap

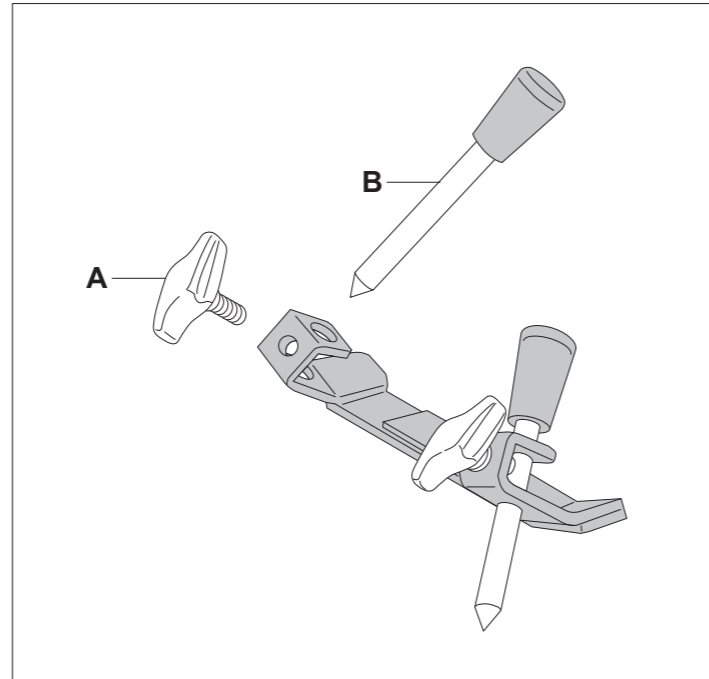
# ACCESSORIES

## CA-130 Cowbell Holder



- |          |                |                                  |           |                |                            |
|----------|----------------|----------------------------------|-----------|----------------|----------------------------|
| <b>A</b> | <b>SM-080A</b> | <b>L Rod Assy. Complete</b>      | <b>5</b>  | <b>AD-027A</b> | Hoop Mount Holder          |
| <b>1</b> | <b>AD-031A</b> | Stop Lock Complete               | <b>6</b>  | <b>SC-181</b>  | Clamp Bolt                 |
| <b>B</b> | <b>HCP-130</b> | <b>Hoop Mount Assy. Complete</b> | <b>7</b>  | <b>SG-006N</b> | Spring                     |
| <b>1</b> | <b>UGN-6</b>   | Die-Cast Wing Nut w/Washer       | <b>8</b>  | <b>SC-168</b>  | Clamp Bolt                 |
| <b>2</b> | <b>SM-083A</b> | Knurled Round Nut w/Washer       | <b>9</b>  | <b>AD-029A</b> | Hoop Clamp Assy.           |
| <b>3</b> | <b>AD-028</b>  | Clamp Plate                      | <b>10</b> | <b>UGN-6</b>   | Die-Cast Wing Nut w/Washer |
| <b>4</b> | <b>SC-181</b>  | Clamp Bolt                       |           |                |                            |

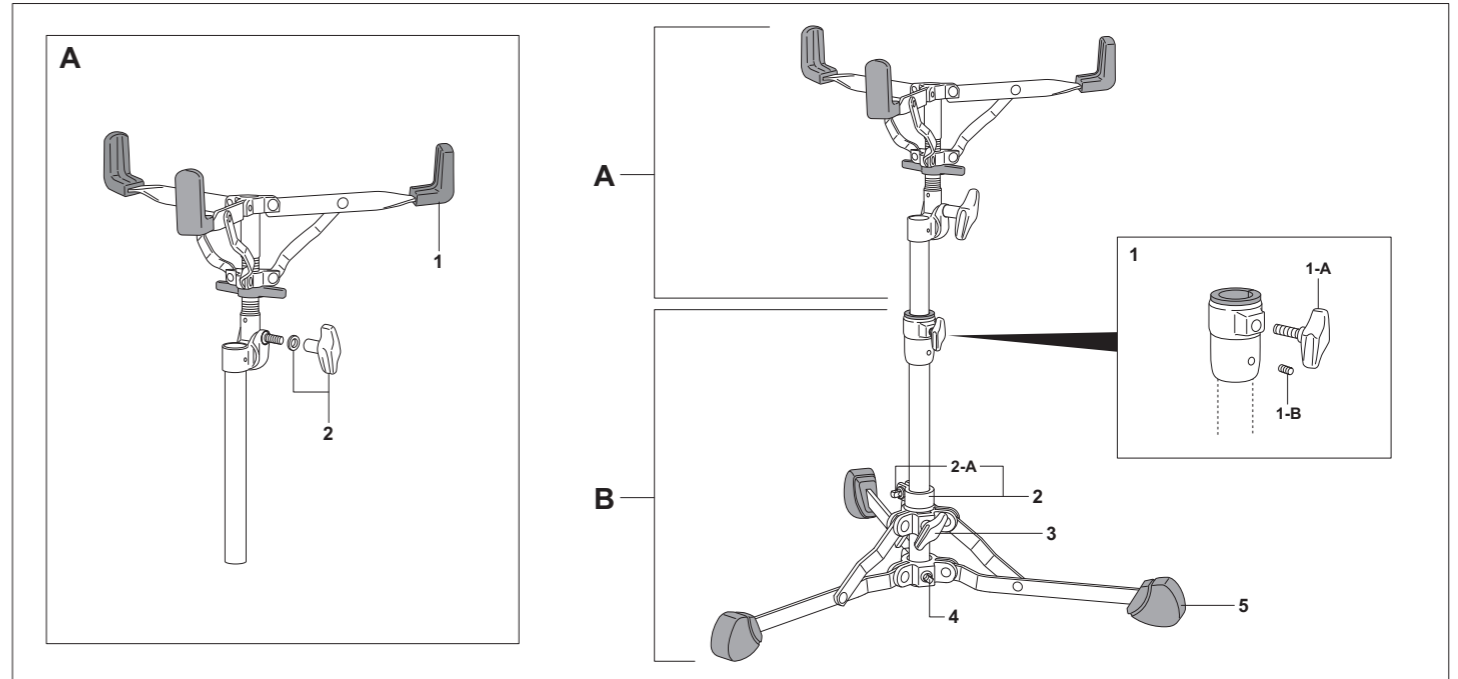
## PS-85 Stabilizer



- |          |                |                               |
|----------|----------------|-------------------------------|
| <b>A</b> | <b>UGB-815</b> | Die-Cast Wing Bolt (one each) |
| <b>B</b> | <b>ME-209A</b> | Spike w/Rubber Tip (one each) |

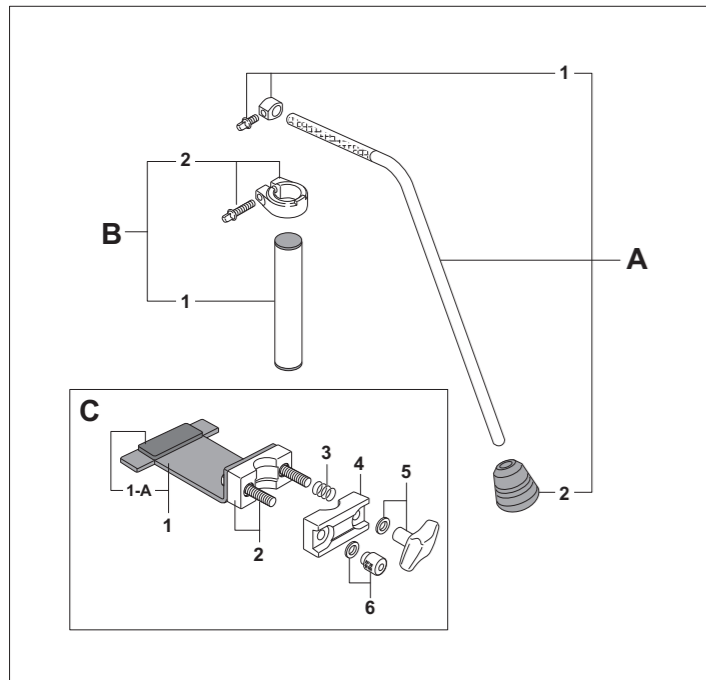
# SNARE STANDS

## S-150S



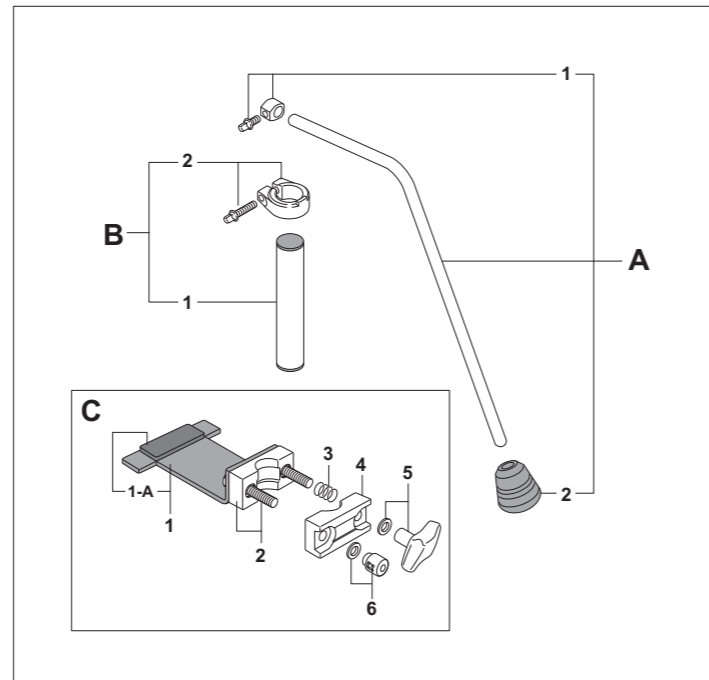
- |          |               |                            |            |                 |                               |
|----------|---------------|----------------------------|------------|-----------------|-------------------------------|
| <b>A</b> | <b>S-15SA</b> | <b>Basket Complete</b>     | <b>B</b>   | <b>BA-S15S</b>  | <b>Base Assy. Complete</b>    |
| <b>1</b> | <b>RB-015</b> | Rubber Sleeve (one each)   | <b>1</b>   | <b>PJ-60</b>    | Die-Cast Joint Assy. Complete |
| <b>2</b> | <b>UGN-8L</b> | Die-Cast Wing Nut w/Washer | <b>1-A</b> | <b>UGB-815S</b> | Die-Cast Wing Bolt            |
|          |               |                            | <b>1-B</b> | <b>SB-44</b>    | Allen Screw                   |
|          |               |                            | <b>2</b>   | <b>STB-19A</b>  | Stop Lock Complete            |
|          |               |                            | <b>2-A</b> | <b>KB-615WS</b> | Key Bolt w/Washer             |
|          |               |                            | <b>3</b>   | <b>UGB-815S</b> | Die-Cast Wing Bolt            |
|          |               |                            | <b>4</b>   | <b>KB-814</b>   | Key Bolt                      |
|          |               |                            | <b>5</b>   | <b>NP-454N</b>  | Rubber Tip (one each)         |

## JG-16 Jungle Gig Adapter



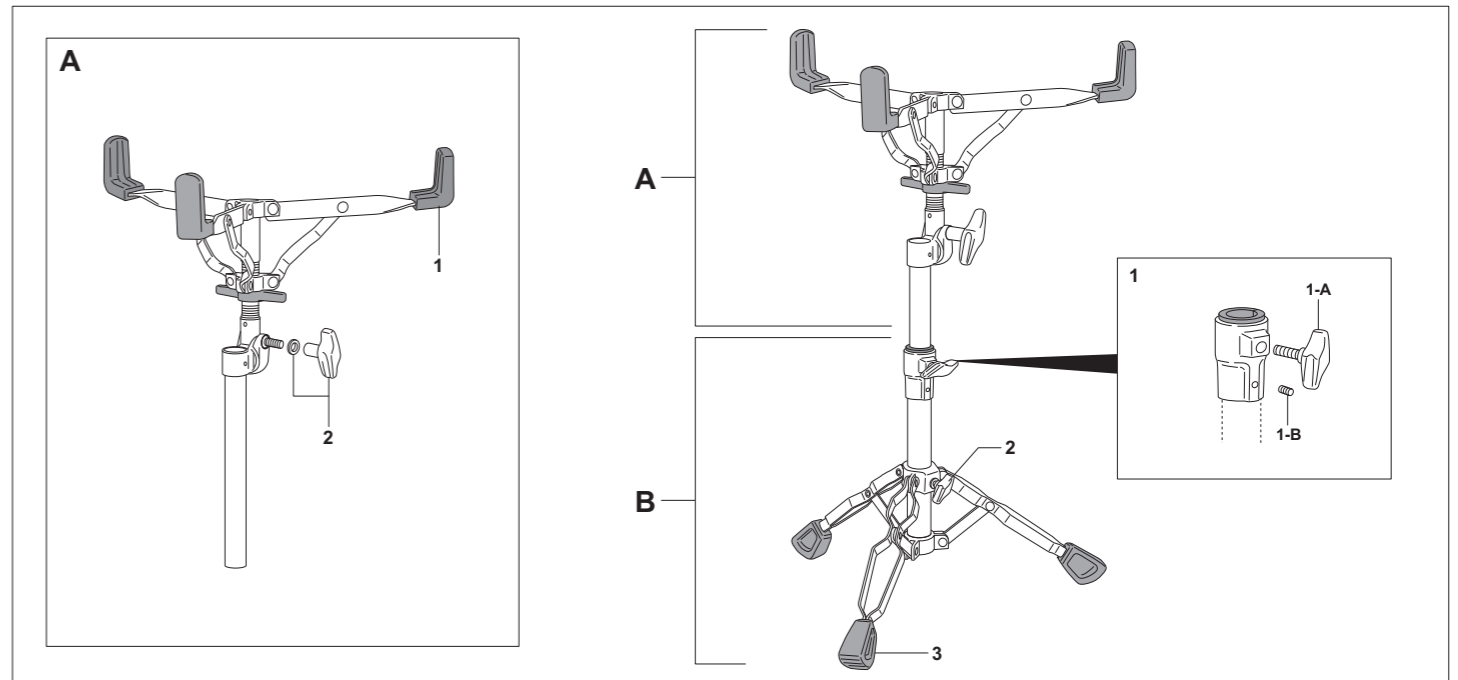
- |          |                 |                            |            |                 |                                   |
|----------|-----------------|----------------------------|------------|-----------------|-----------------------------------|
| <b>A</b> | <b>ME-508A</b>  | <b>Leg Assy. Complete</b>  | <b>C</b>   | <b>PR-551AC</b> | <b>Pedal Plate Assy. Complete</b> |
| <b>1</b> | <b>LG-04S</b>   | Stop Lock Complete         | <b>1</b>   | <b>PR-551A</b>  | Pedal Plate ONLY                  |
| <b>2</b> | <b>R-5</b>      | Rubber Tip (one each)      | <b>1-A</b> | <b>NP-140</b>   | Rubber Protector                  |
| <b>B</b> | <b>PP-182AA</b> | <b>Pipe Assy. Complete</b> | <b>2</b>   | <b>DC-365A</b>  | Pipe Bracket w/Bolts              |
| <b>1</b> | <b>PP-182A</b>  | Pipe w/Plastic Caps        | <b>3</b>   | <b>SP-45S</b>   | Spring                            |
| <b>2</b> | <b>ZD-081A</b>  | Stop Lock Complete         | <b>4</b>   | <b>DC-366</b>   | Die-Cast Link                     |
|          |                 |                            | <b>5</b>   | <b>UGN-8</b>    | Die-Cast Wing Nut w/Washer        |
|          |                 |                            | <b>6</b>   | <b>M-8RN</b>    | Knurled Round Nut w/Washer        |

## JG-16NK Jungle Gig Adapter



- |          |                 |                            |            |                 |                                   |
|----------|-----------------|----------------------------|------------|-----------------|-----------------------------------|
| <b>A</b> | <b>ME-723A</b>  | <b>Leg Assy. Complete</b>  | <b>C</b>   | <b>PR-551AC</b> | <b>Pedal Plate Assy. Complete</b> |
| <b>1</b> | <b>LG-02NS</b>  | Stop Lock Complete         | <b>1</b>   | <b>PR-551A</b>  | Pedal Plate ONLY                  |
| <b>2</b> | <b>R-5</b>      | Rubber Tip (one each)      | <b>1-A</b> | <b>NP-140</b>   | Rubber Protector                  |
| <b>B</b> | <b>PP-182AA</b> | <b>Pipe Assy. Complete</b> | <b>2</b>   | <b>DC-365A</b>  | Pipe Bracket w/Bolts              |
| <b>1</b> | <b>PP-182A</b>  | Pipe w/Plastic Caps        | <b>3</b>   | <b>SP-45S</b>   | Spring                            |
| <b>2</b> | <b>ZD-081A</b>  | Stop Lock Complete         | <b>4</b>   | <b>DC-366</b>   | Die-Cast Link                     |
|          |                 |                            | <b>5</b>   | <b>UGN-8</b>    | Die-Cast Wing Nut w/Washer        |
|          |                 |                            | <b>6</b>   | <b>M-8RN</b>    | Knurled Round Nut w/Washer        |

## S-830

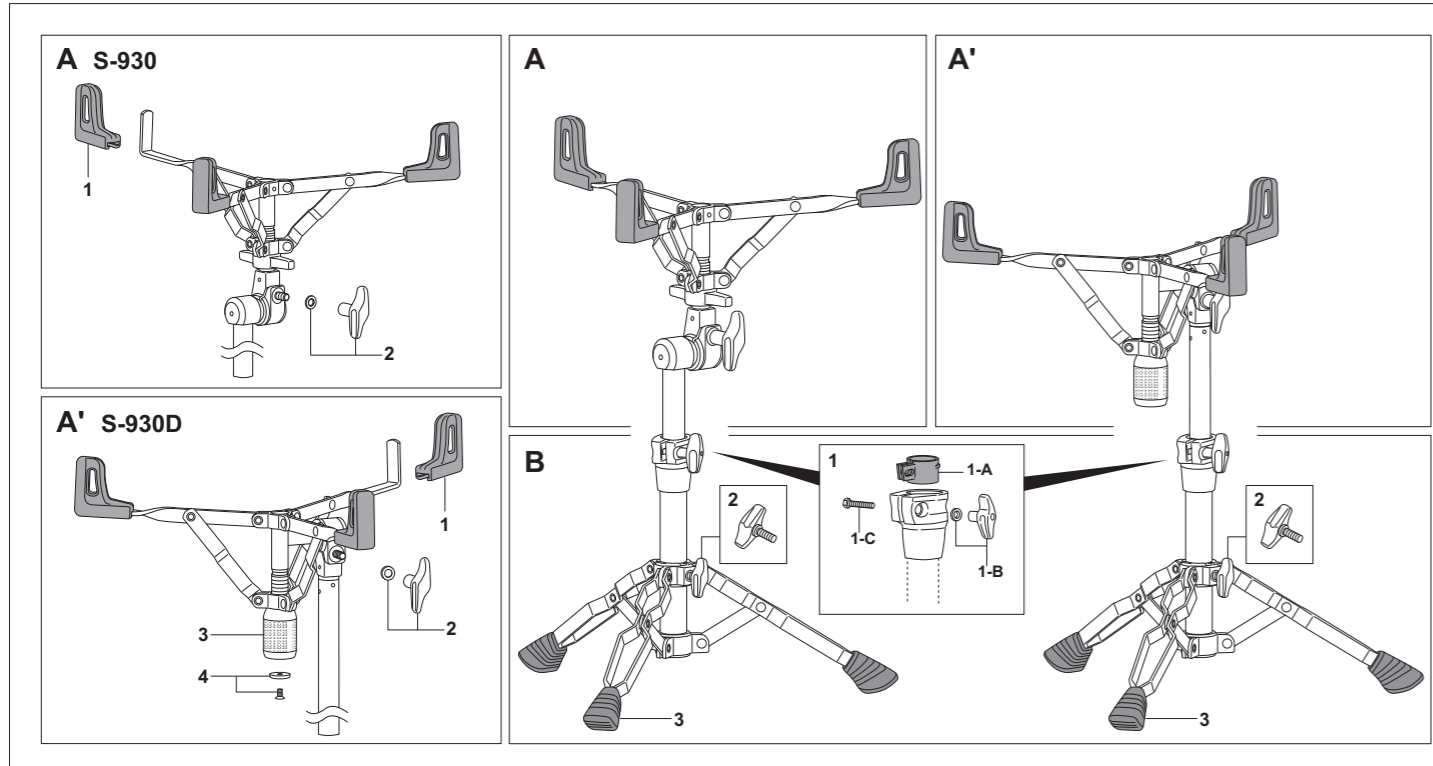


- |          |               |                            |            |                 |                               |
|----------|---------------|----------------------------|------------|-----------------|-------------------------------|
| <b>A</b> | <b>S-83A</b>  | <b>Basket Complete</b>     | <b>B</b>   | <b>BA-S83</b>   | <b>Base Assy. Complete</b>    |
| <b>1</b> | <b>RB-015</b> | Rubber Sleeve (one each)   | <b>1</b>   | <b>PJ-83L</b>   | Die-Cast Joint Assy. Complete |
| <b>2</b> | <b>UGN-8L</b> | Die-Cast Wing Nut w/Washer | <b>1-A</b> | <b>UGB-815S</b> | Die-Cast Wing Bolt            |
|          |               |                            | <b>1-B</b> | <b>SB-44</b>    | Allen Screw                   |
|          |               |                            | <b>2</b>   | <b>UGB-815S</b> | Die-Cast Wing Bolt            |
|          |               |                            | <b>3</b>   | <b>RB-022</b>   | Rubber Tip (one each)         |



# SNARE STANDS

## S-930 / S-930D

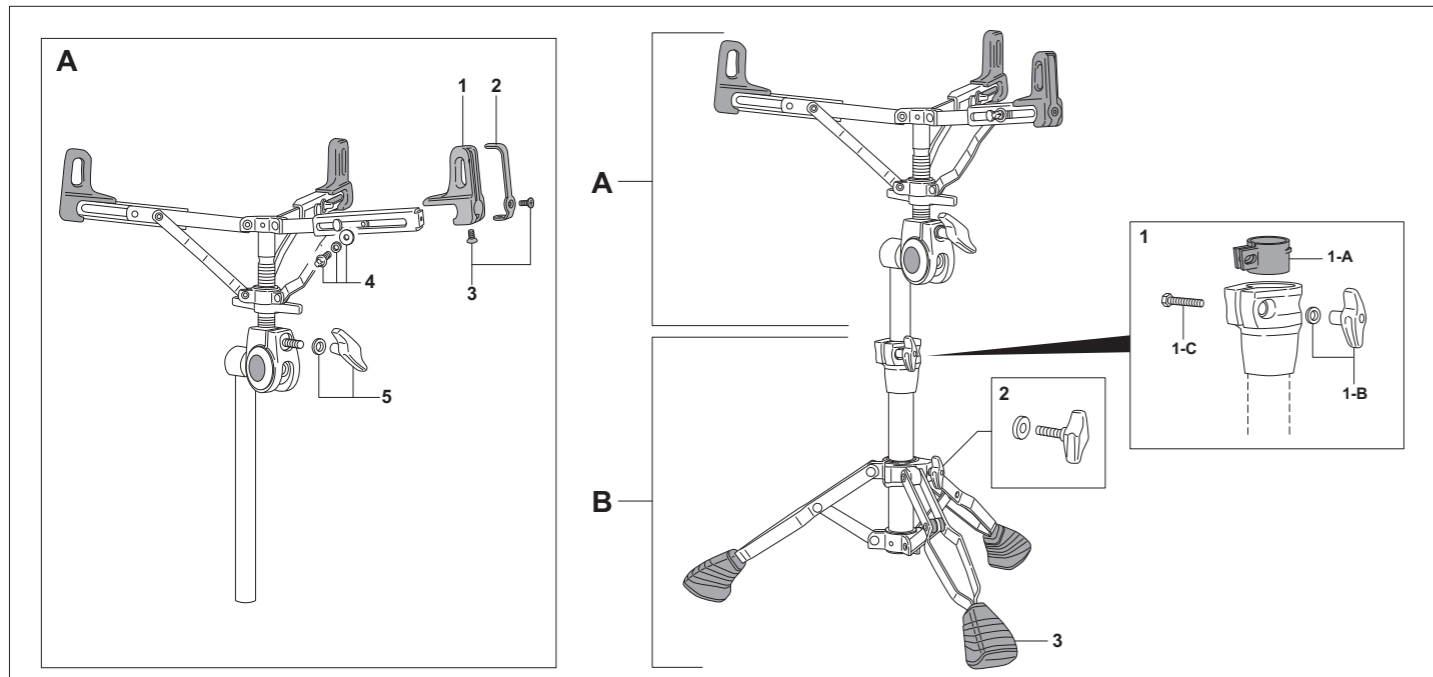


**A S-93A Basket Complete**  
 1 RB-010 Rubber Sleeve (one each)  
 2 UGN-8L Die-Cast Wing Nut w/Washer

**A' S-93DA Basket Complete**  
 1 RB-010 Rubber Sleeve (one each)  
 2 UGN-8L Die-Cast Wing Nut w/Washer  
 3 SM-069 Adjustment Dial  
 4 ME-697A Flat Head Screw w/Washer

**B BA-S93 Base Assy. Complete**  
 1 PJ-100L Die-Cast Joint Assy. Complete  
 1-A NP-366 Nylon Bushing  
 1-B UGN-6 Die-Cast Wing Nut w/Washer  
 1-C SC-169 Clamp Bolt  
 2 UGB-815S Die-Cast Wing Bolt  
 3 RB-009 Rubber Tip (one each)

## S-1030

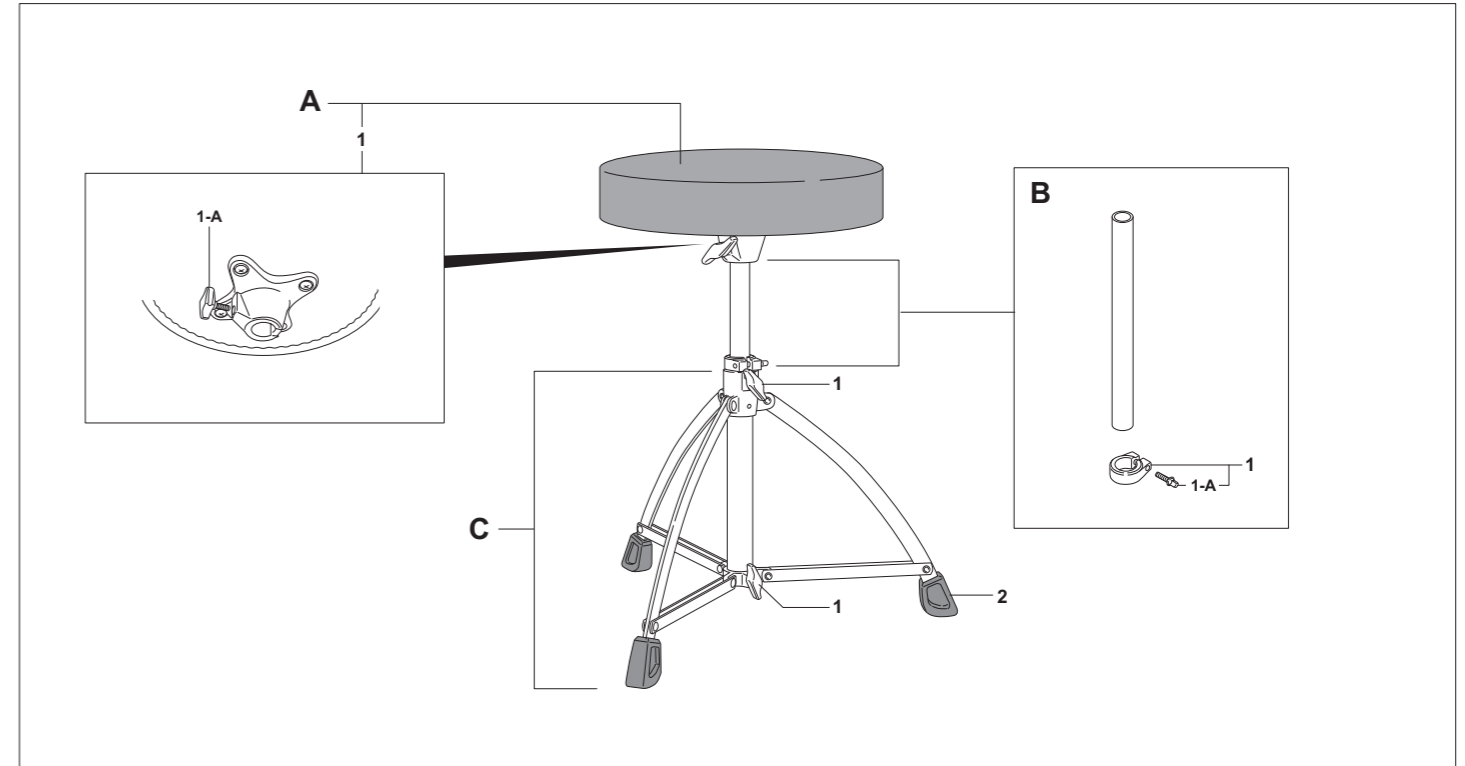


**A S-103A Basket Complete**  
 1 NP-320 Rubber Sleeve (one each)  
 2 PR-573 Rubber Sleeve Support Plate  
 3 SC-363 Screw (one each)  
 4 KB-615W Key Bolt w/Washers  
 5 UGN-8L Die-Cast Wing Nut w/Washer

**B BA-S103 Base Assy. Complete**  
 1 PJ-100L Die-Cast Joint Assy. Complete  
 1-A NP-366 Nylon Bushing  
 1-B UGN-6 Die-Cast Wing Nut w/Washer  
 1-C SC-169 Clamp Bolt  
 2 UGB-815SW Die-Cast Wing Bolt w/Washer  
 3 RB-001 Rubber Tip (one each)

# DRUM THRONES

## D-730S

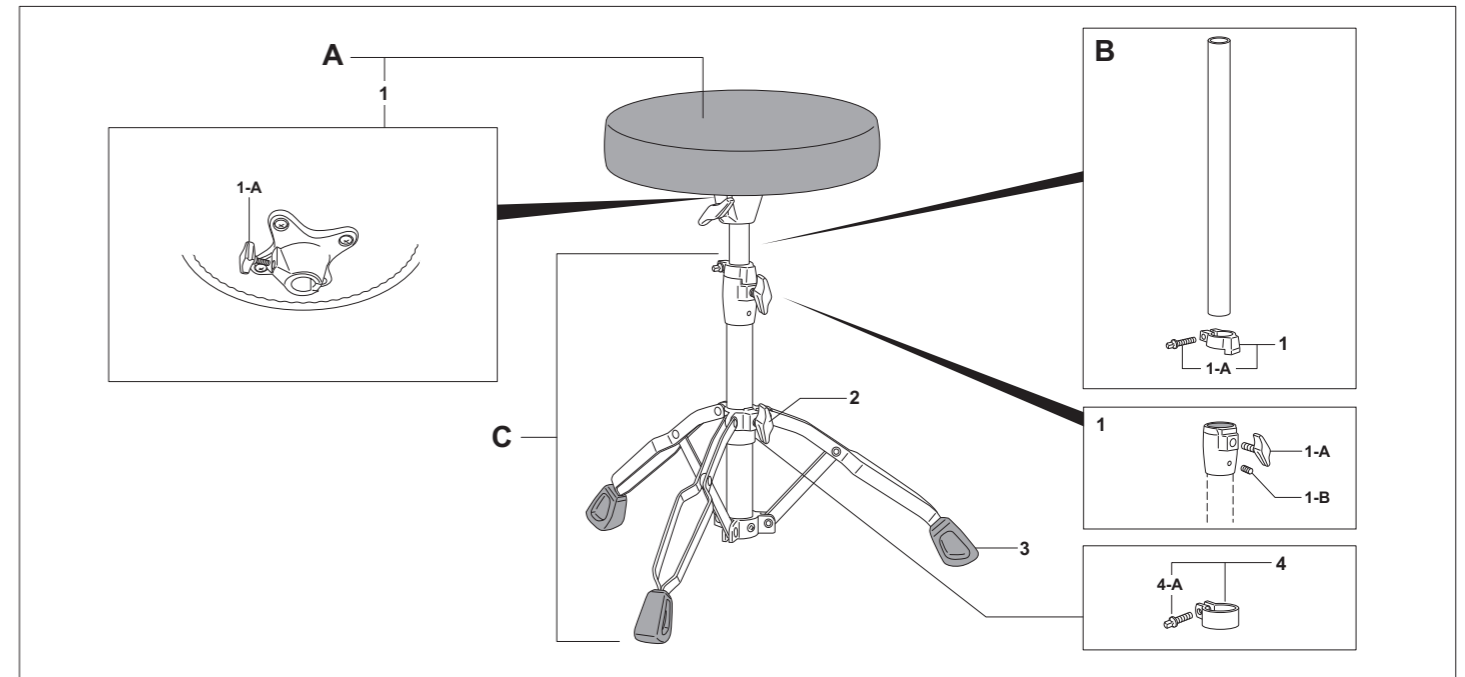


**A SEA-73A Vinyl Seat Top w/Rod Bracket**  
 1 AD-026A Rod Bracket Assy. Complete  
 1-A UGB-820C Die-Cast Wing Bolt

**B UT-D73 Height Adjustment Rod Assy. Complete**  
 1 ZD-081HA Stop Lock Complete  
 1-A KB-625 Key Bolt

**C BA-D73S Base Assy. Complete**  
 1 UGB-815S Die-Cast Wing Bolt (one each)  
 2 RB-016 Rubber Tip (one each)

## D-790



**A SEA-73A Vinyl Seat Top w/Rod Bracket**  
 1 AD-026A Rod Bracket Assy. Complete  
 1-A UGB-820C Die-Cast Wing Bolt

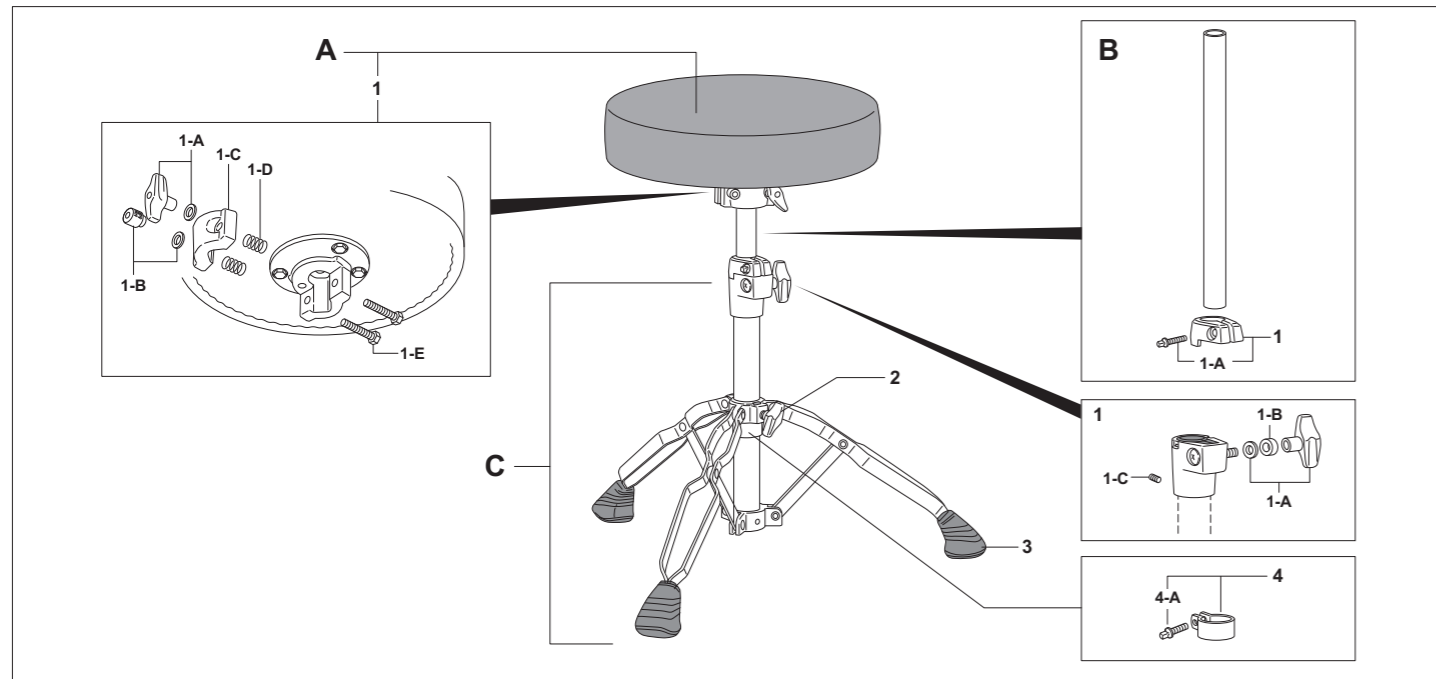
**B UT-D79 Height Adjustment Rod Assy. Complete**  
 1 ZD-091A Stop Lock Complete  
 1-A KB-625 Key Bolt

**C BA-D79 Base Assy. Complete**  
 1 DJ-08A Die-Cast Joint Assy. Complete  
 1-A UGB-815S Die-Cast Wing Bolt  
 1-B SB-44 Allen Screw  
 2 UGB-815S Die-Cast Wing Bolt  
 3 PL-034 Rubber Tip (one each)  
 4 STB-28A Stop Lock Complete  
 4-A KB-615 Key Bolt



# DRUM THRONES

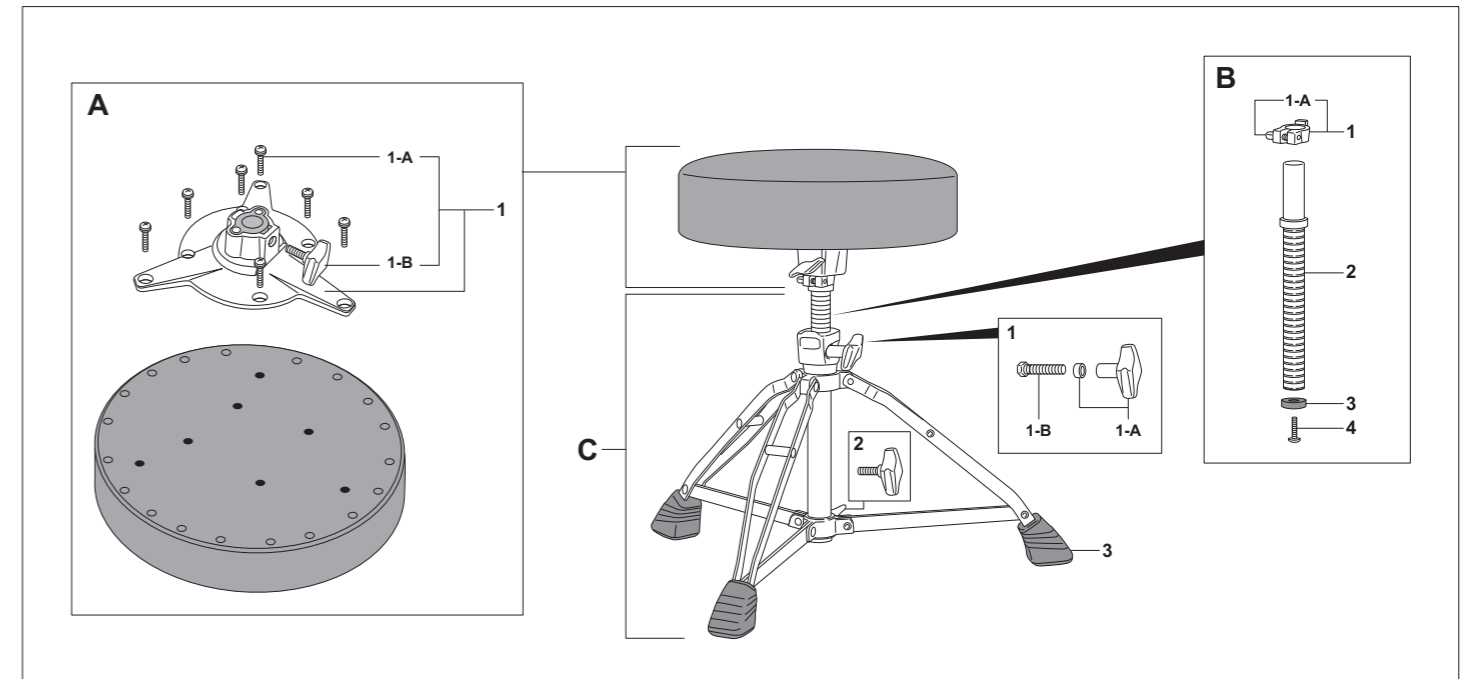
## D-930



- |          |                |   |          |               |   |          |               |                               |
|----------|----------------|---|----------|---------------|---|----------|---------------|-------------------------------|
| <b>A</b> | <b>SEA-93A</b> | <b>Seat Top ONLY, Vinyl w/Two-piece Bracket</b> | <b>B</b> | <b>UT-D93</b> | <b>Height Adjustment Rod Assy. Complete</b> | <b>C</b> | <b>BA-D93</b> | <b>Base Assy. Complete</b>    |
| 1        | RBA-900A       | Rod Bracket Assy. Complete                      | 1        | DC-551A       | Stop Lock Complete                          | 1        | DC-550A       | Die-Cast Joint Assy. Complete |
| 1-A      | UGN-8          | Die-Cast Wing Nut w/Washer                      | 1-A      | KB-625        | Key Bolt                                    | 1-A      | UGN-8         | Die-Cast Wing Nut w/Washer    |
| 1-B      | M-8RN          | Knurled Round Nut w/Washer                      |          |               |   | 1-B      | ME-661        | Collar                        |
| 1-C      | AD-009         | Die-Cast Clamp                                  |          |               |   | 1-C      | SB-44         | Allen Screw                   |
| 1-D      | SG-006N        | Spring (one each)                               |          |               |   | 2        | UGB-815S      | Die-Cast Wing Bolt            |
| 1-E      | SC-133         | Clamp Bolt (one each)                           |          |               |   | 3        | RB-002        | Rubber Tip (one each)         |
|          |                |   |          |               |   | 4        | STB-28A       | Stop Lock Complete            |
|          |                |   |          |               |   | 4-A      | KB-615        | Key Bolt                      |

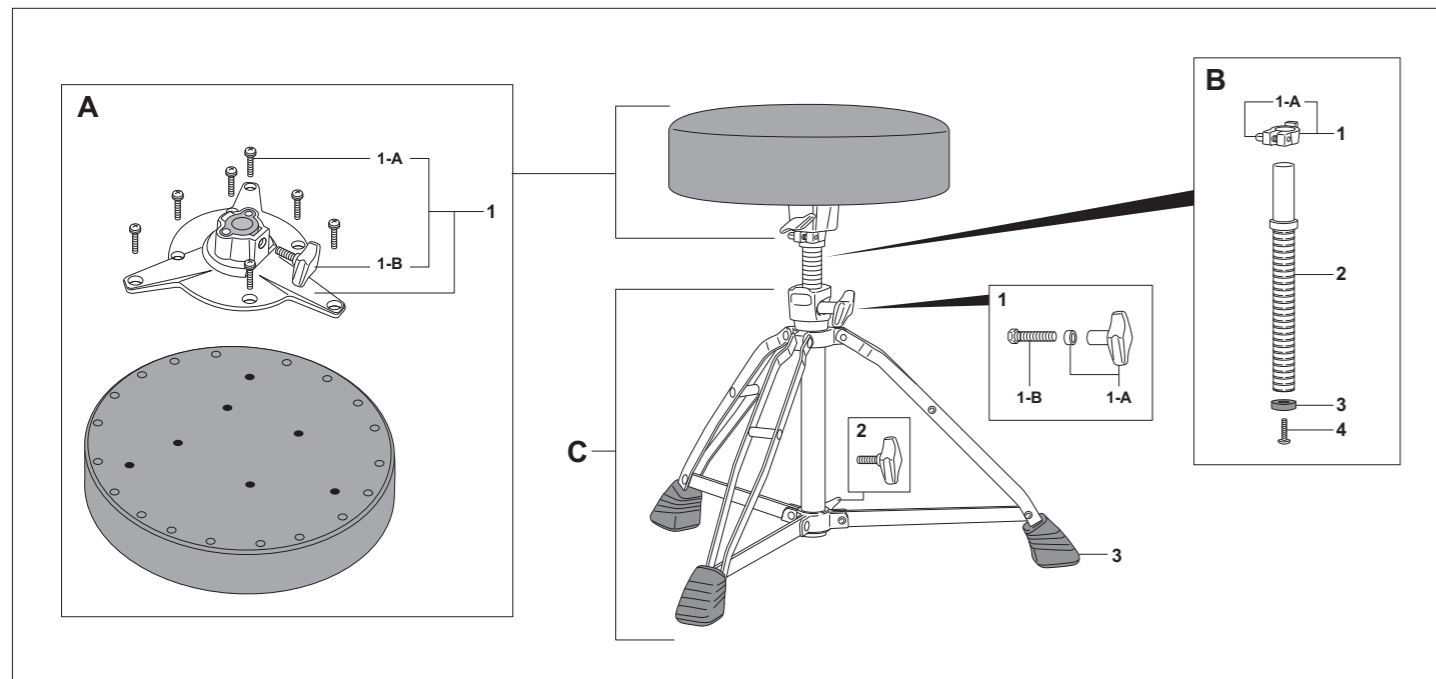
# DRUM THRONES

## D-1000SN



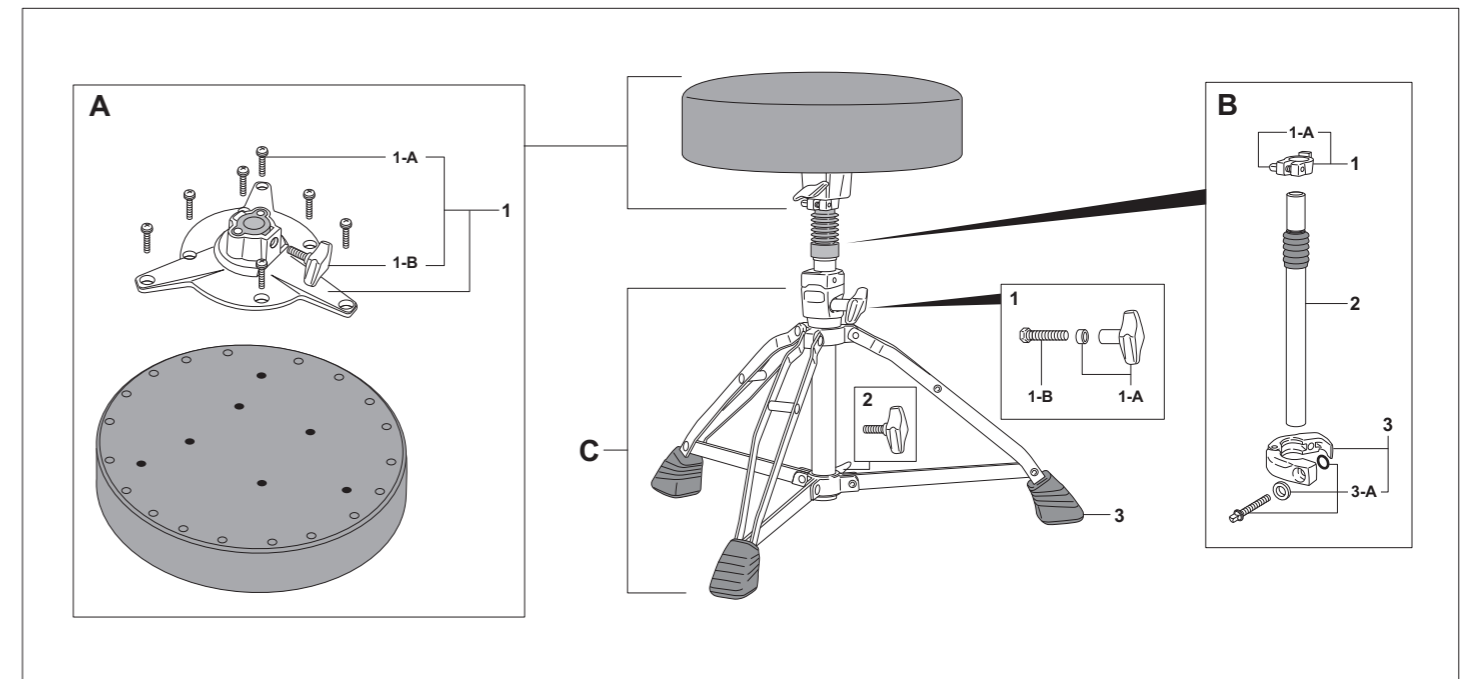
- |          |                  |                            |          |                |   |          |                 |                            |
|----------|------------------|----------------------------|----------|----------------|---|----------|-----------------|----------------------------|
| <b>A</b> | <b>SE-100NNA</b> | <b>Seat Top ONLY</b>       | <b>B</b> | <b>ME-767A</b> | <b>Height Adjustment Post, Complete</b> | <b>C</b> | <b>BA-D100S</b> | <b>Base Assy. Complete</b> |
| 1        | DC-728AA         | Rod Bracket Assy. Complete | 1        | DC-729A        | Stop Lock Complete                      | 1        | SC-121HA        | Bolt & Nut Set w/Spacer    |
| 1-A      | SC-437           | Mounting Screw (one each)  | 1-A      | KB-625         | Key Bolt                                | 1-A      | UGN-8LS         | Die-Cast Wing Nut w/Spacer |
| 1-B      | UGB-815          | Die-Cast Wing Bolt         | 2        | ME-767         | Threaded Post                           | 1-B      | SC-121H         | Clamp Bolt                 |
|          |                  |                            | 3        | NP-238N        | Post Stopper                            | 2        | UGB-815S        | Die-Cast Wing Bolt         |
|          |                  |                            | 4        | SC-352         | Screw                                   | 3        | RB-019          | Rubber Tip (one each)      |

## D-1000N



- |          |                  |                            |          |                |   |          |                |                            |
|----------|------------------|----------------------------|----------|----------------|---|----------|----------------|----------------------------|
| <b>A</b> | <b>SE-100NNA</b> | <b>Seat Top ONLY</b>       | <b>B</b> | <b>ME-767A</b> | <b>Height Adjustment Post, Complete</b> | <b>C</b> | <b>BA-D100</b> | <b>Base Assy. Complete</b> |
| 1        | DC-728AA         | Rod Bracket Assy. Complete | 1        | DC-729A        | Stop Lock Complete                      | 1        | SC-121HA       | Bolt & Nut Set w/Spacer    |
| 1-A      | SC-437           | Mounting Screw (one each)  | 1-A      | KB-625         | Key Bolt                                | 1-A      | UGN-8LS        | Die-Cast Wing Nut w/Spacer |
| 1-B      | UGB-815          | Die-Cast Wing Bolt         | 2        | ME-767         | Threaded Post                           | 1-B      | SC-121H        | Clamp Bolt                 |
|          |                  |                            | 3        | NP-238N        | Post Stopper                            | 2        | UGB-815S       | Die-Cast Wing Bolt         |
|          |                  |                            | 4        | SC-352         | Screw                                   | 3        | RB-019         | Rubber Tip (one each)      |

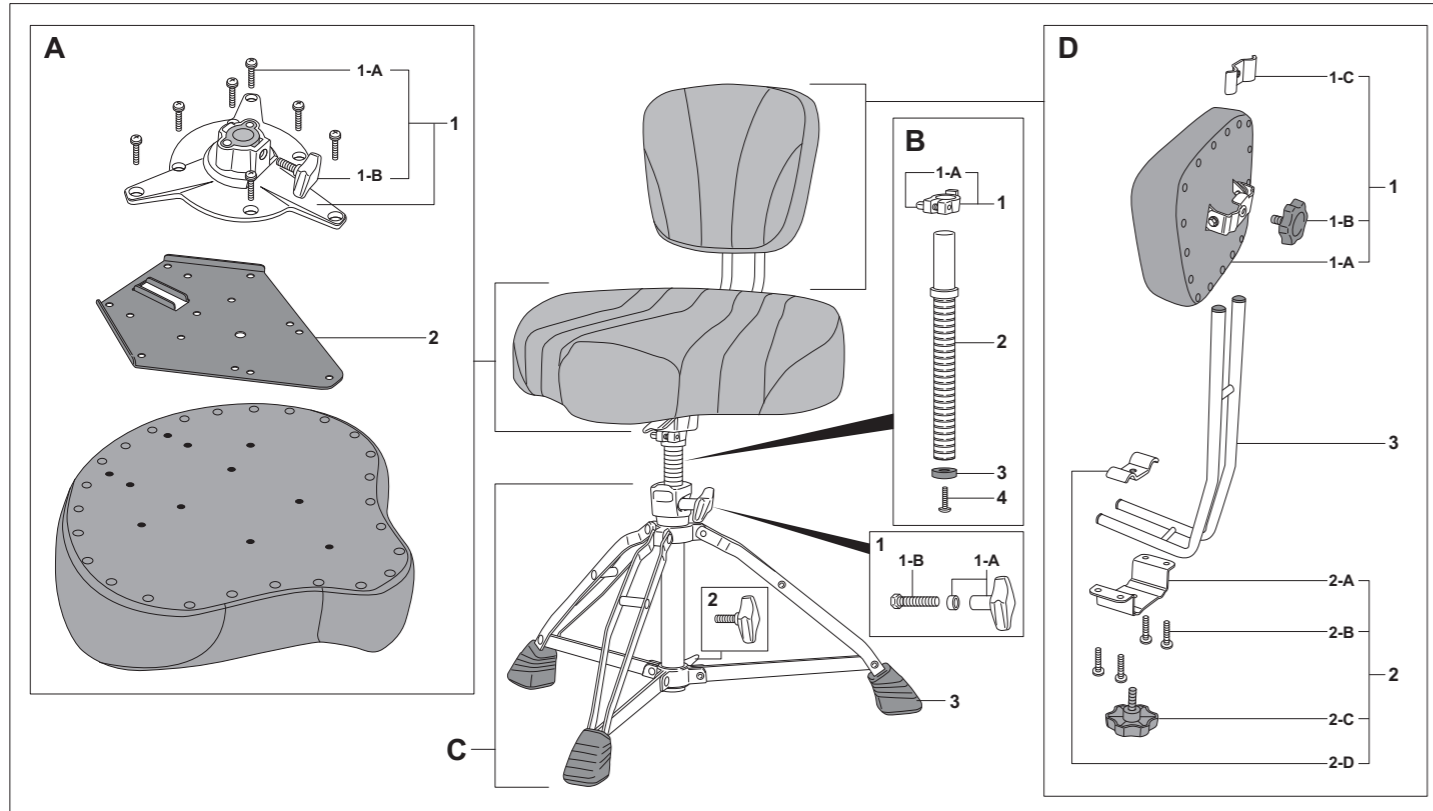
## D-1000SPN



- |          |                  |                            |          |                 |                                      |          |                  |                            |
|----------|------------------|----------------------------|----------|-----------------|--------------------------------------|----------|------------------|----------------------------|
| <b>A</b> | <b>SE-100NNA</b> | <b>Seat Top ONLY</b>       | <b>B</b> | <b>SAP-100A</b> | <b>Shock Absorber Post, Complete</b> | <b>C</b> | <b>BA-D100SP</b> | <b>Base Assy. Complete</b> |
| 1        | DC-728AA         | Rod Bracket Assy. Complete | 1        | DC-729A         | Stop Lock Complete                   | 1        | SC-121HA         | Bolt & Nut Set w/Spacer    |
| 1-A      | SC-437           | Mounting Screw (one each)  | 1-A      | KB-625          | Key Bolt                             | 1-A      | UGN-8LS          | Die-Cast Wing Nut w/Spacer |
| 1-B      | UGB-815          | Die-Cast Wing Bolt         | 2        | SAP-100         | Shock Absorber Post ONLY             | 1-B      | SC-121H          | Clamp Bolt                 |
|          |                  |                            | 3        | DC-580A         | Stop Lock Complete                   | 2        | UGB-815S         | Die-Cast Wing Bolt         |
|          |                  |                            | 3-A      | KB-625WO        | Key Bolt w/Washer & O-Ring           | 3        | RB-019           | Rubber Tip (one each)      |

# DRUM THRONES

## D-2500BR / 2500



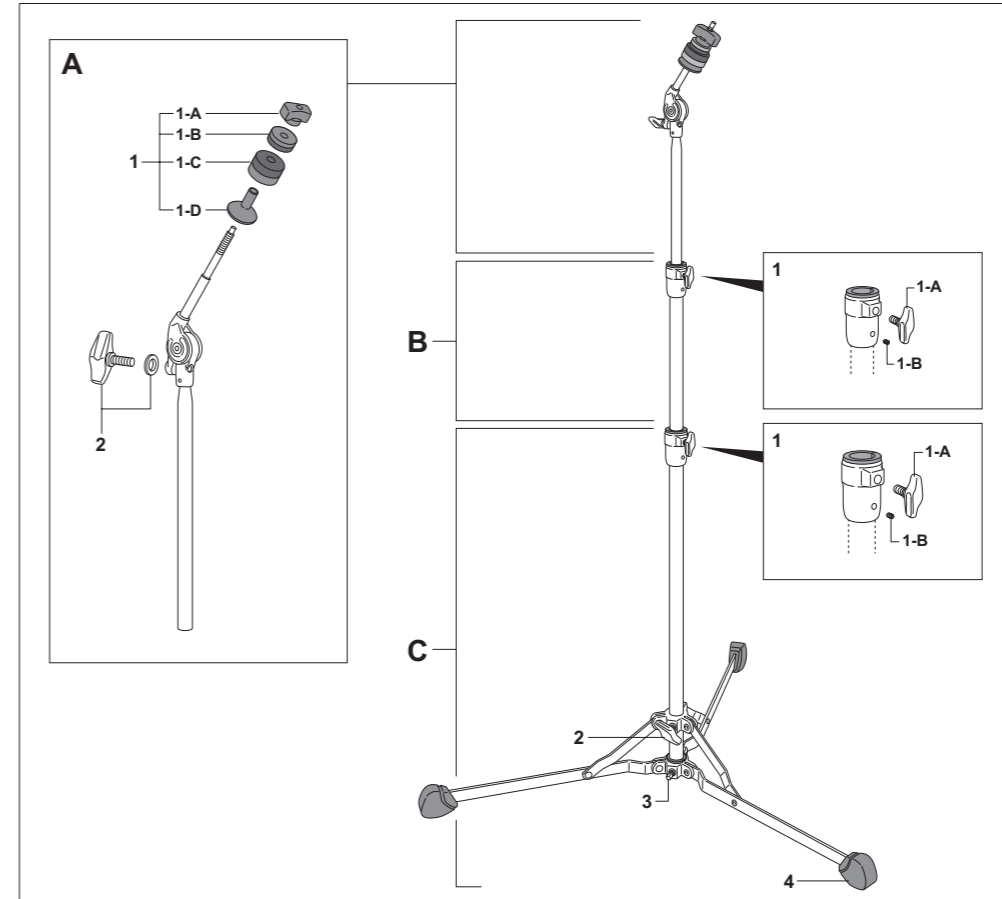
- A SE-250A Seat Top ONLY for D-2500BR / D-2500**  
 1 DC-728AA Rod Bracket Assy. Complete  
 1-A SC-437 Mounting Screw (one each)  
 1-B UGB-815 Die-Cast Wing Bolt  
 2 PR-689 Back Rest Attachment Plate  
**B ME-767A Height Adjustment Post, Complete**  
 1 DC-729A Stop Lock Complete  
 1-A KB-625 Key Bolt  
 2 ME-767 Threaded Post  
 3 NP-238N Post Stopper  
 4 SC-352 Screw

- C BA-D100 Base Assy. Complete**  
 1 SC-121HA Bolt & Nut Set w/Spacer  
 1-A UGN-8LS Die-Cast Wing Nut w/Spacer  
 1-B SC-121H Clamp Bolt  
 2 UGB-815S Die-Cast Wing Bolt  
 3 RB-019 Rubber Tip (one each)

- D BR-2500A Back Rest ONLY for D-2500BR**  
 1 NP-423BNB Back Rest Cushion Assy. Complete  
 1-A NP-423BNA Back Rest Cushion ONLY  
 1-B NP-389L Adjustment Bolt  
 1-C PR-685 Metal Clamp Plate  
 2 PR-687A Back Rest Bracket Assy.  
 2-A PR-687 Back Rest Bracket  
 2-B SC-437 Mounting Screw (one each)  
 2-C NP-389L Adjustment Bolt  
 2-D PR-685 Metal Clamp Plate  
 3 PP-216 Back Rest Tube

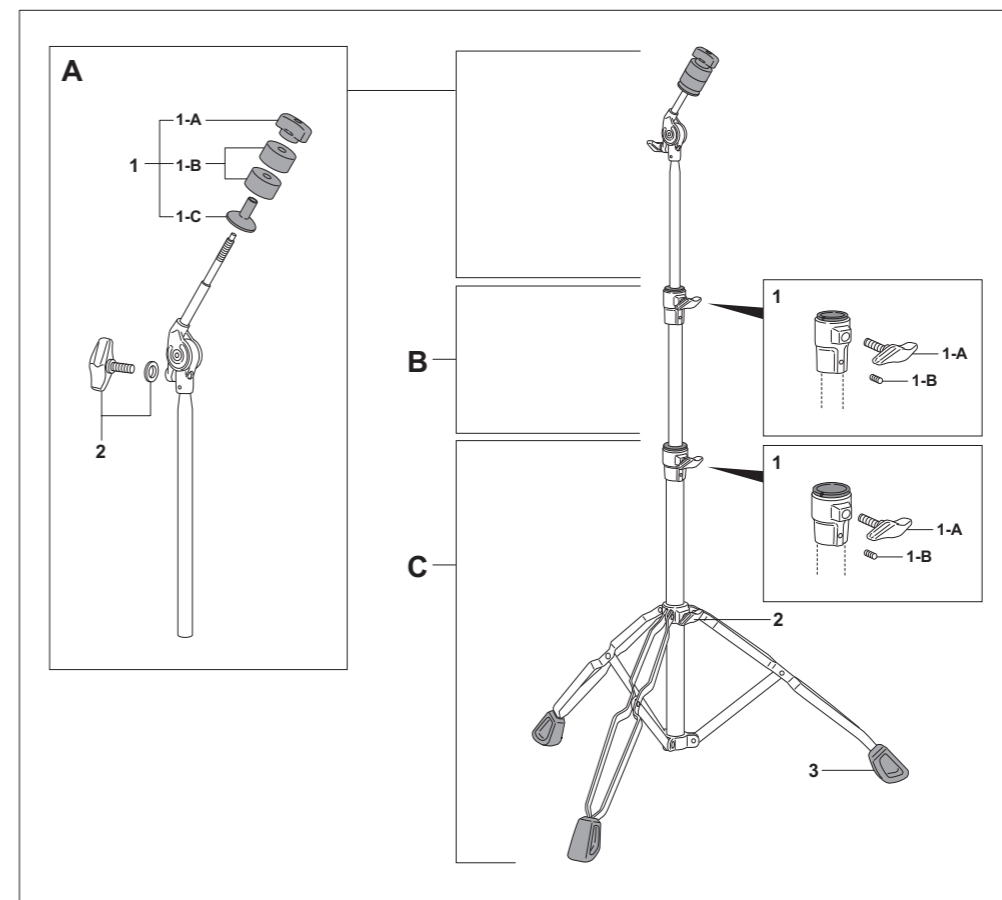
# CYMBAL STANDS

## C-150S



- A UT-C15S Upper Tube Assy. Complete**  
 1 UTS-15S Upper Tilter Section Complete  
 1-A PL-010 Plastic Cymbal Nut  
 1-B FLW-006 Top Reversible Felt/Foam Washer  
 1-C FLW-005 Bottom Reversible Felt/Foam Washer  
 1-D PL-011 Cymbal Seat Cup  
 2 UGB-830TW Die-Cast Wing Bolt w/Washer  
**B CT-C15S Center Tube Assy. Complete**  
 1 PJ-45 Die-Cast Joint Assy. Complete  
 1-A UGB-815S Die-Cast Wing Bolt  
 1-B SB-44 Allen Screw  
**C BA-C15S Base Assy. Complete**  
 1 PJ-60 Die-Cast Joint Assy. Complete  
 1-A UGB-815S Die-Cast Wing Bolt  
 1-B SB-44 Allen Screw  
 2 UGB-815S Die-Cast Wing Bolt  
 3 KB-814 Key Bolt  
 4 NP-454N Rubber Tip (one each)

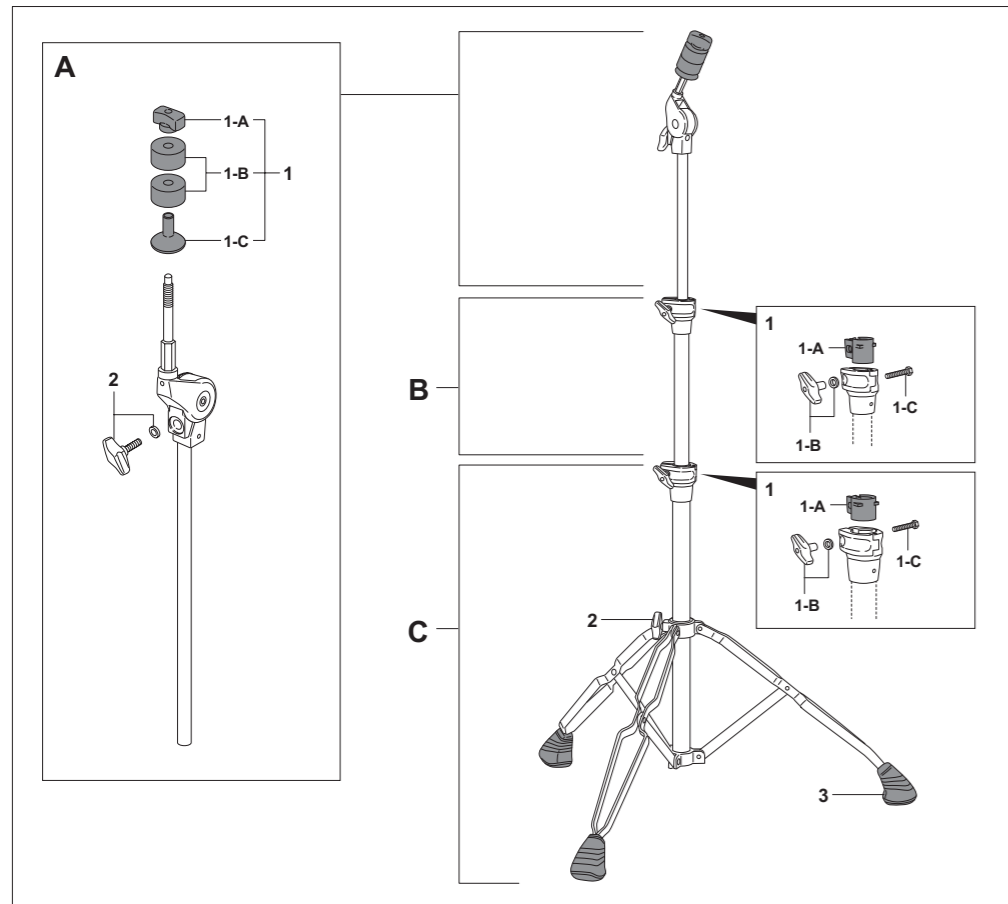
## C-830



- A UT-C83 Upper Tube Assy. Complete**  
 1 UTS-83 Upper Tilter Section Complete  
 1-A PL-010 Plastic Cymbal Nut  
 1-B FLW-004 Felt Washer (one each)  
 1-C PL-011 Cymbal Seat Cup  
 2 UGB-830TW Die-Cast Wing Bolt w/Washer  
**B CT-83 Center Tube Assy. Complete**  
 1 PJ-83S Die-Cast Joint Assy. Complete  
 1-A UGB-815S Die-Cast Wing Bolt  
 1-B SB-44 Allen Screw  
**C BA-83 Base Assy. Complete**  
 1 PJ-83L Die-Cast Joint Assy. Complete  
 1-A UGB-815S Die-Cast Wing Bolt  
 1-B SB-44 Allen Screw  
 2 UGB-815S Die-Cast Wing Bolt  
 3 RB-022 Rubber Tip (one each)

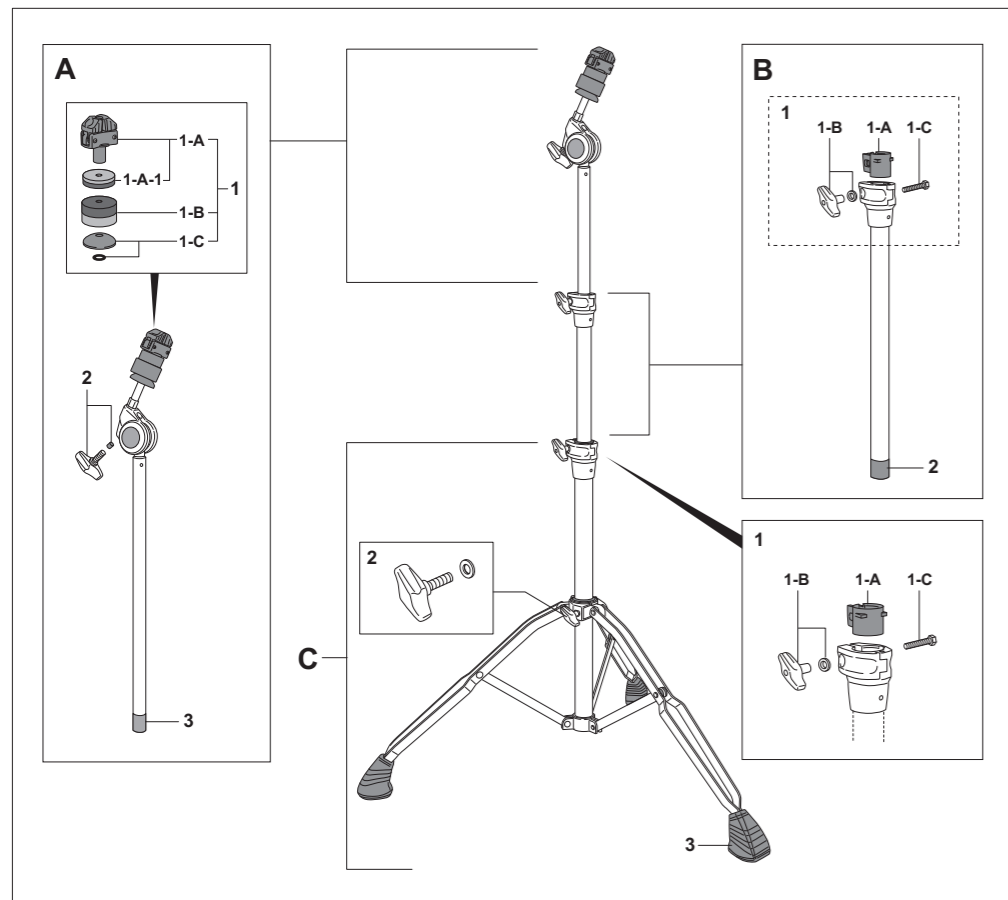
# CYMBAL STANDS

## C-930



- A UT-C93 Upper Tube Assy. Complete**  
 1 UTS-93 Upper Tilter Section Complete  
 1-A PL-010 Plastic Cymbal Nut  
 1-B FLW-001 Felt Washer (one each)  
 1-C PL-011 Cymbal Seat Cup  
 2 UGB-830W Die-Cast Wing Bolt w/Washer
- B CT-93 Center Tube Assy. Complete**  
 1 PJ-100S Die-Cast Joint Assy. Complete  
 1-A NP-367 Nylon Bushing  
 1-B UGN-6 Die-Cast Wing Nut w/Washer  
 1-C SC-169 Clamp Bolt
- C BA-93 Base Assy. Complete**  
 1 PJ-100L Die-Cast Joint Assy. Complete  
 1-A NP-366 Nylon Bushing  
 1-B UGN-6 Die-Cast Wing Nut w/Washer  
 1-C SC-169 Clamp Bolt  
 2 UGB-815S Die-Cast Wing Bolt  
 3 RB-008 Rubber Tip (one each)

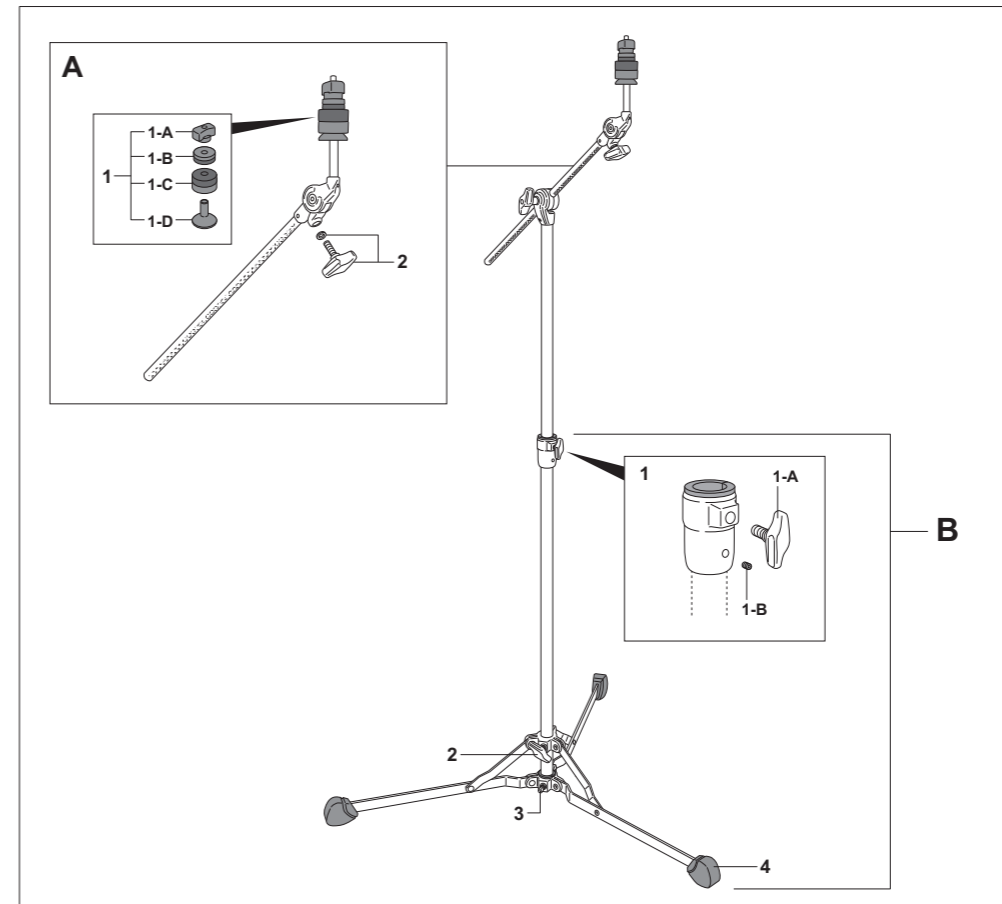
## C-1030



- A UT-C103 Upper Tube Assy. Complete**  
 1 WL-230A WingLoc Assy. Complete  
 1-A WL-230 WingLoc Quick Release Wing Nut w/Reversible Felt/Foam Washer  
 1-A-1 FLW-006 Top Reversible Felt/Foam Washer  
 1-B FLW-005 Bottom Reversible Felt/Foam Washer  
 1-C RC-20 Reversible Seat Cup w/O-Ring  
 2 UGB-815P Die-Cast Wing Bolt w/Pin  
 3 NP-375 Plastic Tip
- B CT-103 Center Tube Assy. Complete**  
 1 PJ-100S Die-Cast Joint Assy. Complete  
 1-A NP-367 Nylon Bushing  
 1-B UGN-6 Die-Cast Wing Nut w/Washer  
 1-C SC-169 Clamp Bolt  
 2 NP-376 Plastic Tip
- C BA-103 Base Assy. Complete**  
 1 PJ-100L Die-Cast Joint Assy. Complete  
 1-A NP-366 Nylon Bushing  
 1-B UGN-6 Die-Cast Wing Nut w/Washer  
 1-C SC-169 Clamp Bolt  
 2 UGB-815SW Die-Cast Wing Bolt w/Washer  
 3 RB-001 Rubber Tip (one each)

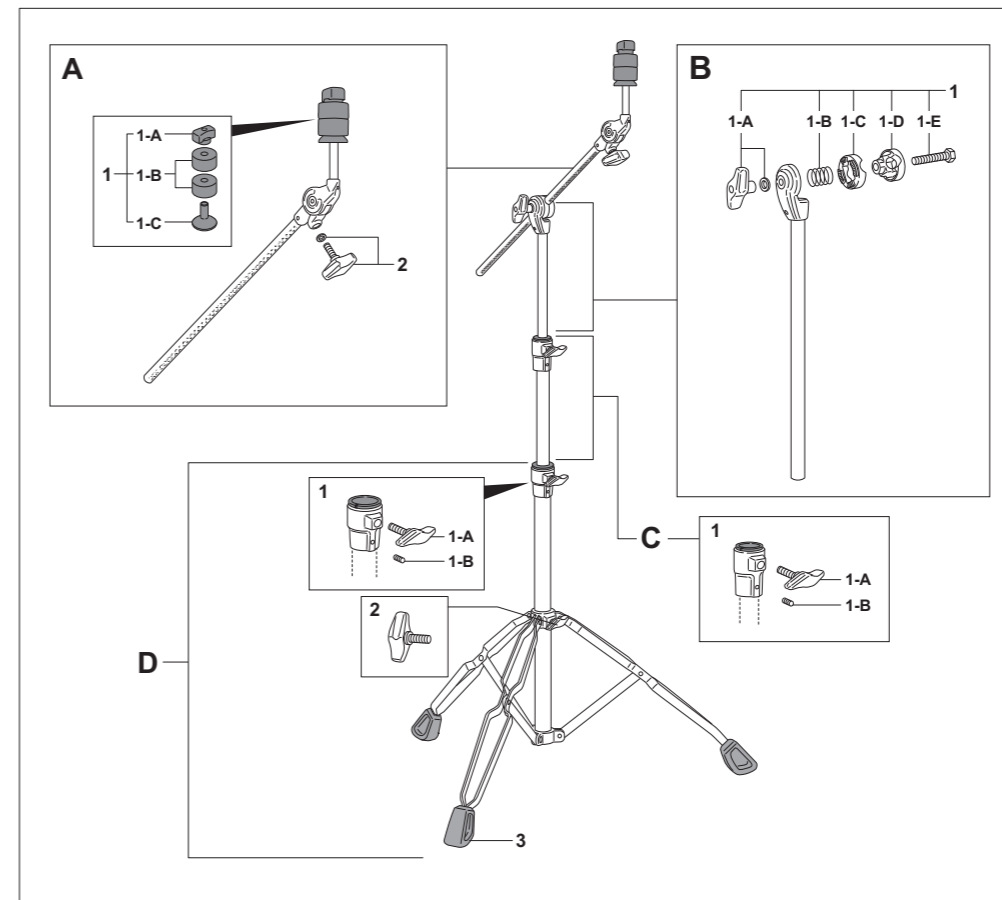
# CYMBAL BOOM STANDS

## BC-150S



- A AA-BC15S Boom Assy. Complete**  
 1 UTS-15S Upper Tilter Section Complete  
 1-A PL-010 Plastic Cymbal Nut  
 1-B FLW-006 Top Reversible Felt/Foam Washer  
 1-C FLW-005 Bottom Reversible Felt/Foam Washer  
 1-D PL-011 Cymbal Seat Cup  
 2 UGB-830TW Die-Cast Wing Bolt w/Washer
- B BA-BC15S Base Assy. Complete**  
 1 PJ-60 Die-Cast Joint Assy. Complete  
 1-A UGB-815S Die-Cast Wing Bolt  
 1-B SB-44 Allen Screw  
 2 UGB-815S Die-Cast Wing Bolt  
 3 KB-814 Key Bolt  
 4 NP-454N Rubber Tip (one each)

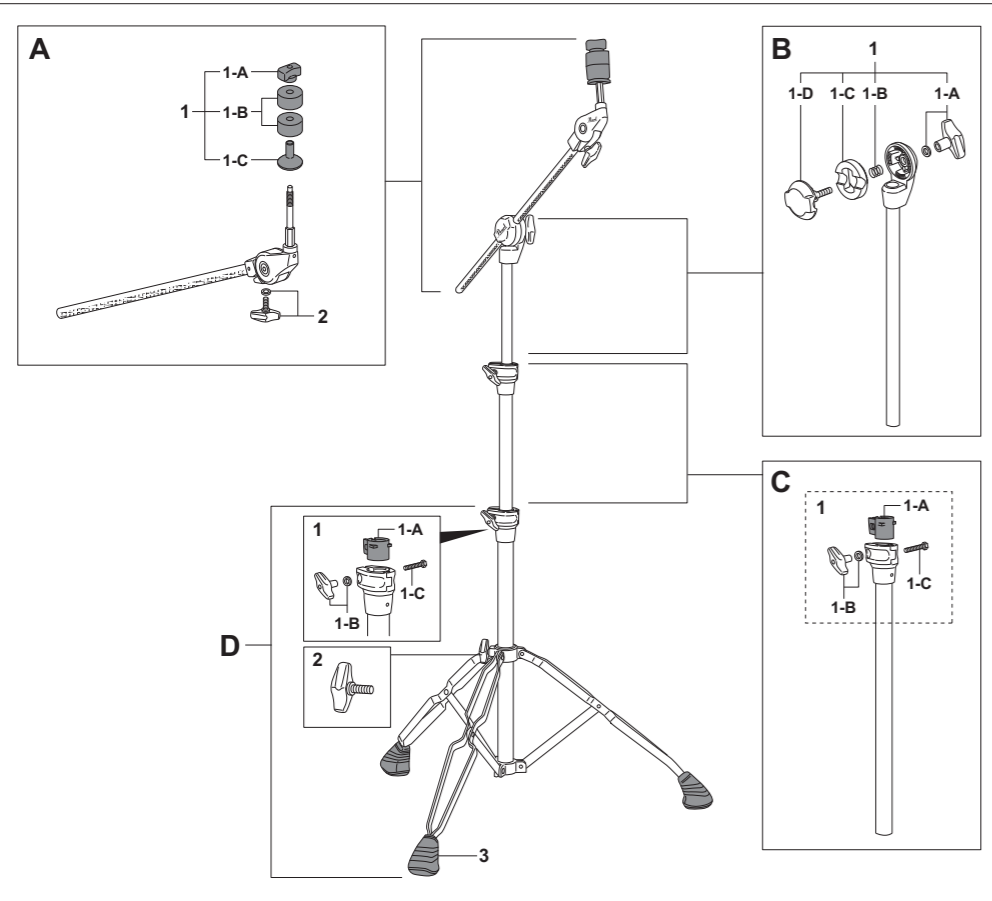
## BC-830



- A AA-BC83 Boom Assy. Complete**  
 1 UTS-83 Upper Tilter Section Complete  
 1-A PL-010 Plastic Cymbal Nut  
 1-B FLW-004 Felt Washer (one each)  
 1-C PL-011 Cymbal Seat Cup  
 2 UGB-830TW Die-Cast Wing Bolt w/Washer
- B UT-BC83 Upper Tube Assy. Complete**  
 1 BC-BC83 Boom Clamp Assy. Complete  
 1-A UGN-8T Die-Cast Wing Nut w/Washer  
 1-B SG-001 Spring  
 1-C ZD-118 Clamp Gear Link  
 1-D ZD-119 Boom Clamp  
 1-E SC-471 Boom Clamp Bolt
- C CT-83 Center Tube Assy. Complete**  
 1 PJ-83S Die-Cast Joint Assy. Complete  
 1-A UGB-815S Die-Cast Wing Bolt  
 1-B SB-44 Allen Screw
- D BA-83 Base Assy. Complete**  
 1 PJ-83L Die-Cast Joint Assy. Complete  
 1-A UGB-815S Die-Cast Wing Bolt  
 1-B SB-44 Allen Screw  
 2 UGB-815S Die-Cast Wing Bolt  
 3 RB-022 Rubber Tip (one each)

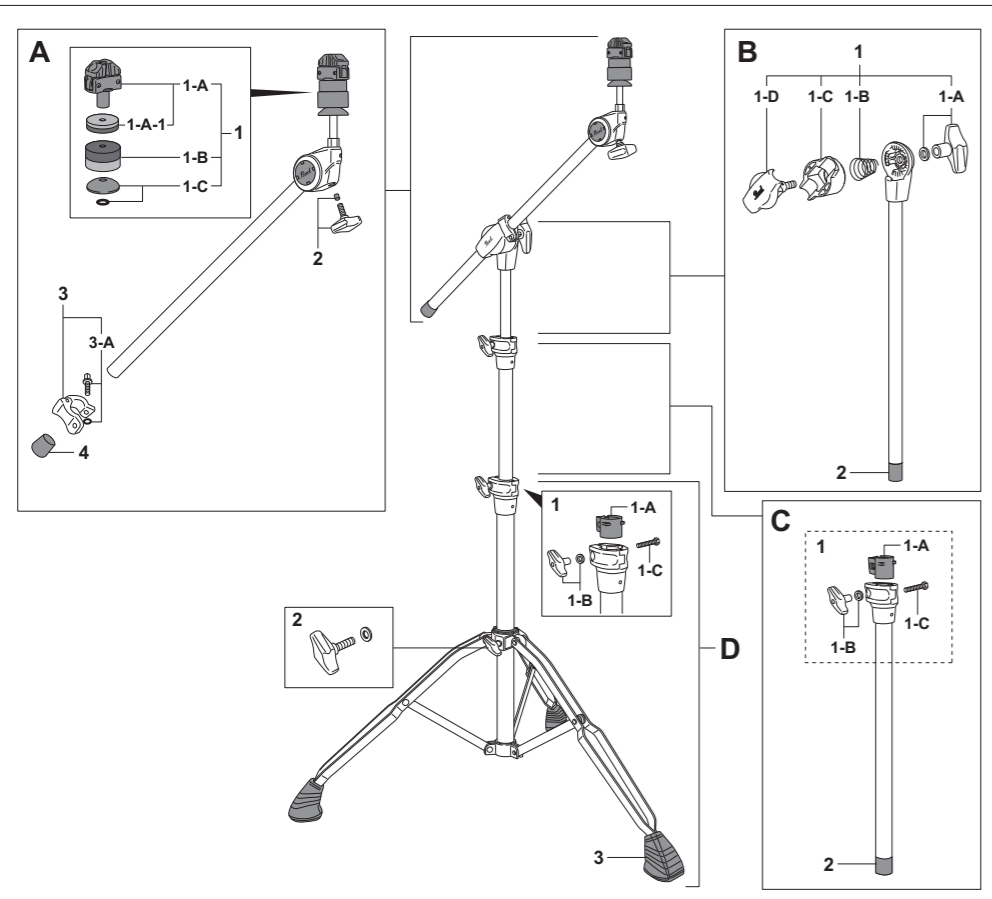
# CYMBAL BOOM STANDS

## BC-930



- A AA-BC90 Boom Assy. Complete**  
 1 UTS-93 Upper Tilter Section Complete  
 1-A PL-010 Plastic Cymbal Nut  
 1-B FLW-001 Felt Washer (one each)  
 1-C PL-011 Cymbal Seat Cup  
 2 UGB-830W Die-Cast Wing Bolt w/Washer
- B UT-BC89 Upper Tube Assy. Complete**  
 1 BC-BC90 Boom Clamp Assy. Complete  
 1-A UGN-8 Die-Cast Wing Nut w/Washer  
 1-B SG-001 Spring  
 1-C ZD-018N Clamp Gear Link  
 1-D ZD-019A Boom Clamp Bolt
- C CT-93 Center Tube Assy. Complete**  
 1 PJ-100S Die-Cast Joint Assy. Complete  
 1-A NP-367 Nylon Bushing  
 1-B UGN-6 Die-Cast Wing Nut w/Washer  
 1-C SC-169 Clamp Bolt
- D BA-93 Base Assy. Complete**  
 1 PJ-100L Die-Cast Joint Assy. Complete  
 1-A NP-366 Nylon Bushing  
 1-B UGN-6 Die-Cast Wing Nut w/Washer  
 1-C SC-169 Clamp Bolt  
 2 UGB-815S Die-Cast Wing Bolt  
 3 RB-008 Rubber Tip (one each)

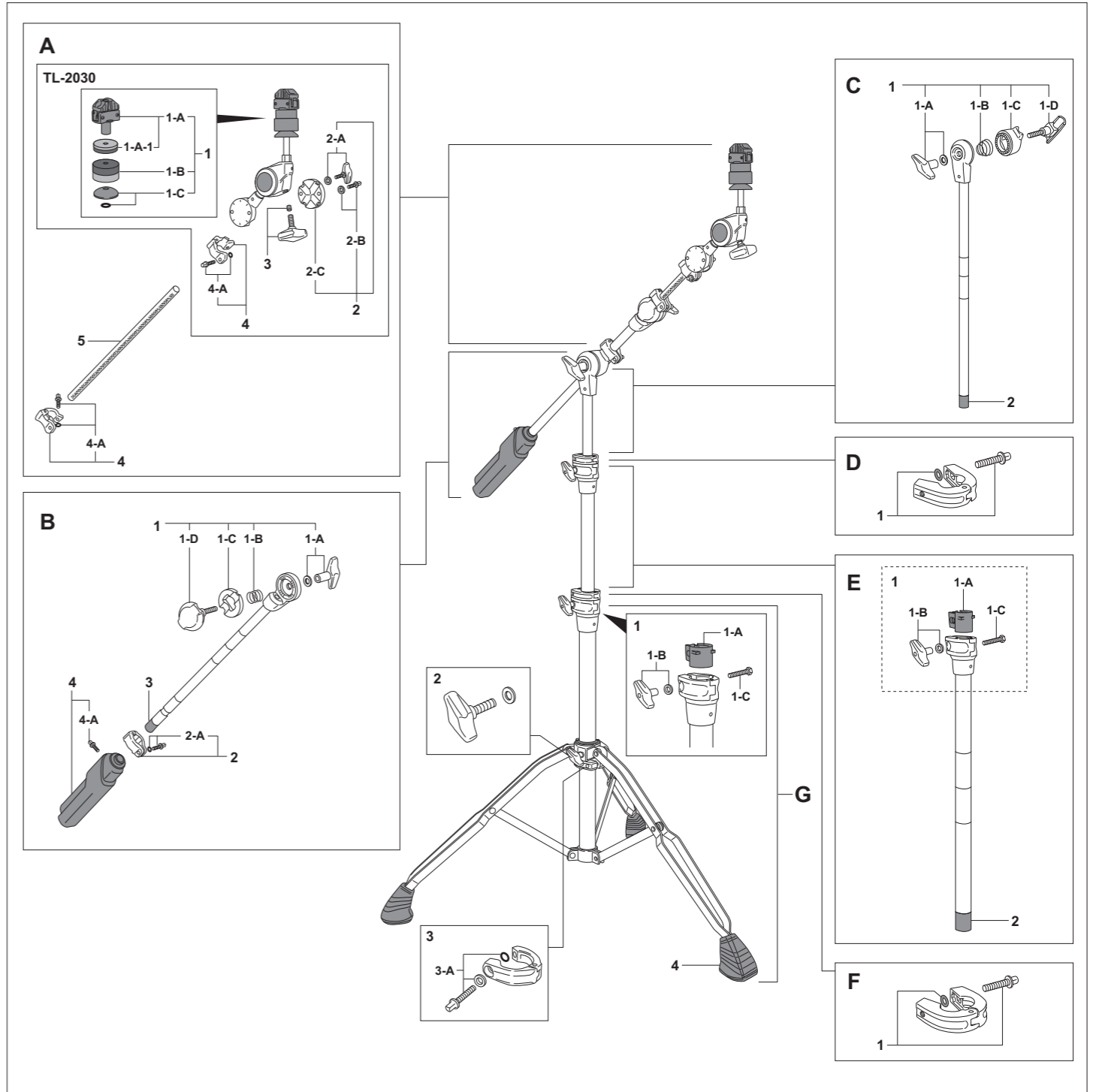
## B-1030



- A AA-B103 Boom Assy. Complete**  
 1 WL-230A WingLoc Assy. Complete  
 1-A WL-230 WingLoc Quick Release Wing Nut w/Reversible Felt/Foam Washer  
 1-A-1 FLW-006 Top Reversible Felt/Foam Washer  
 1-B FLW-005 Bottom Reversible Felt/Foam Washer  
 1-C RC-20 Reversible Seat Cup w/O-Ring  
 2 UGB-815P Die-Cast Wing Bolt w/Pin  
 3 DC-625A Stop Lock Complete  
 3-A KB-615O Key Bolt w/O-Ring  
 4 NP-71 Plastic Tip
- B UT-B103 Upper Tube Assy. Complete**  
 1 BC-BC203 Boom Clamp Assy. Complete  
 1-A UGN-8L Die-Cast Wing Nut w/Washer  
 1-B SG-007N Spring  
 1-C ZD-129 Clamp Gear Link  
 1-D ZD-128A Boom Clamp Bolt  
 2 NP-375 Plastic Tip
- C CT-103 Center Tube Assy. Complete**  
 1 PJ-100S Die-Cast Joint Assy. Complete  
 1-A NP-367 Nylon Bushing  
 1-B UGN-6 Die-Cast Wing Nut w/Washer  
 1-C SC-169 Clamp Bolt  
 2 NP-376 Plastic Tip
- D BA-103 Base Assy. Complete**  
 1 PJ-100L Die-Cast Joint Assy. Complete  
 1-A NP-366 Nylon Bushing  
 1-B UGN-6 Die-Cast Wing Nut w/Washer  
 1-C SC-169 Clamp Bolt  
 2 UGB-815SW Die-Cast Wing Bolt w/Washer  
 3 RB-001 Rubber Tip (one each)

# CYMBAL BOOM STANDS

## BC-2030

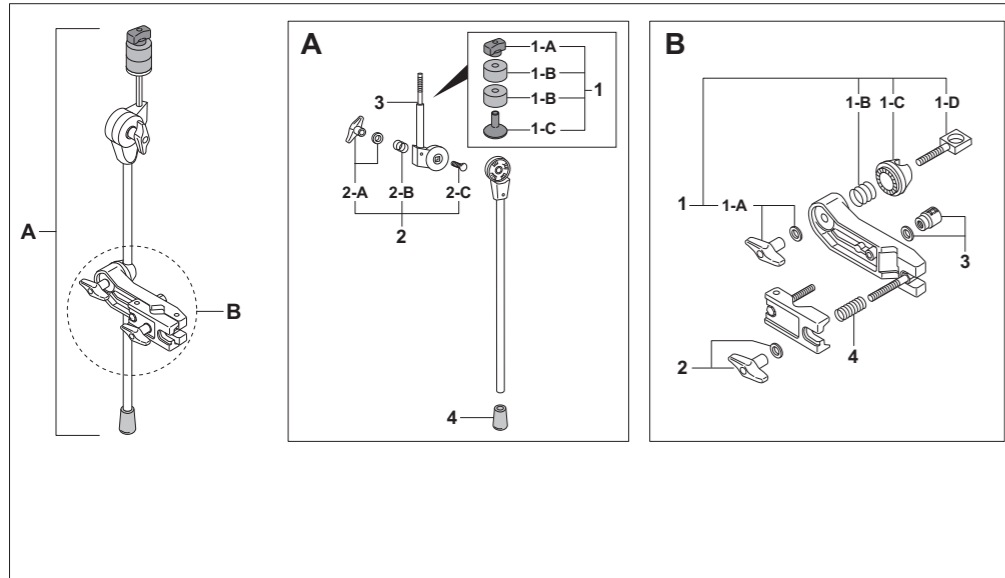


- A UB-BC203 Upper Boom Assy. Complete**  
 1 WL-230A WingLoc Assy. Complete  
 1-A WL-230 WingLoc Quick Release Wing Nut w/Reversible Felt/Foam Washer  
 1-A-1 FLW-006 Top Reversible Felt/Foam Washer  
 1-B FLW-005 Bottom Reversible Felt/Foam Washer  
 1-C RC-20 Reversible Seat Cup w/O-Ring  
 2 DC-634AN Clamp Assy. Complete  
 2-A UGB-620W Die-Cast Wing Bolt w/Washer  
 2-B KB-620W Key Bolt w/Washer  
 2-C DC-634N Clamp Plate  
 3 UGB-815P Die-Cast Wing Bolt w/Pin  
 4 DC-627AN Stop Lock Complete (one set)  
 4-A KB-615O Key Bolt w/O-Ring  
 5 ME-651N Knurled Boom Arm
- B LB-BC203 Lower Boom Assy. Complete**  
 1 BC-BC90 Boom Clamp Assy. Complete  
 1-A UGN-8 Die-Cast Wing Nut w/Washer  
 1-B SG-001 Spring  
 1-C ZD-018N Clamp Gear Link  
 1-D ZD-019A Boom Clamp Bolt  
 2 DC-625A Stop Lock Complete  
 2-A KB-615O Key Bolt w/O-Ring  
 3 NP-430 Plastic Tip  
 4 NP-373A Boom Arm Counterweight w/Key Bolt  
 4-A KB-615 Key Bolt
- C UT-BC203 Upper Tube Assy. Complete**  
 1 BC-BC203 Boom Clamp Assy. Complete  
 1-A UGN-8L Die-Cast Wing Nut w/Washer  
 1-B SG-007N Spring  
 1-C ZD-129 Clamp Gear Link  
 1-D ZD-128A Boom Clamp Bolt  
 2 NP-375 Plastic Tip
- D ZD-106A Stop Lock Complete**  
 1 KB-625O Key Bolt w/O-Ring
- E CT-203 Center Tube Assy. Complete**  
 1 PJ-100S Die-Cast Joint Assy. Complete  
 1-A NP-367 Nylon Bushing  
 1-B UGN-6 Die-Cast Wing Nut w/Washer  
 1-C SC-169 Clamp Bolt  
 2 NP-376 Plastic Tip
- F ZD-104A Stop Lock Complete**  
 1 KB-625O Key Bolt w/O-Ring
- G BA-203 Base Assy. Complete**  
 1 PJ-100L Die-Cast Joint Assy. Complete  
 1-A NP-366 Nylon Bushing  
 1-B UGN-6 Die-Cast Wing Nut w/Washer  
 1-C SC-169 Clamp Bolt  
 2 UGB-815SW Die-Cast Wing Bolt w/Washer  
 3 DC-582A Stop Lock Complete  
 3-A KB-625WO Key Bolt w/Washer & O-Ring  
 4 RB-001 Rubber Tip (one each)



# CYMBAL HOLDERS

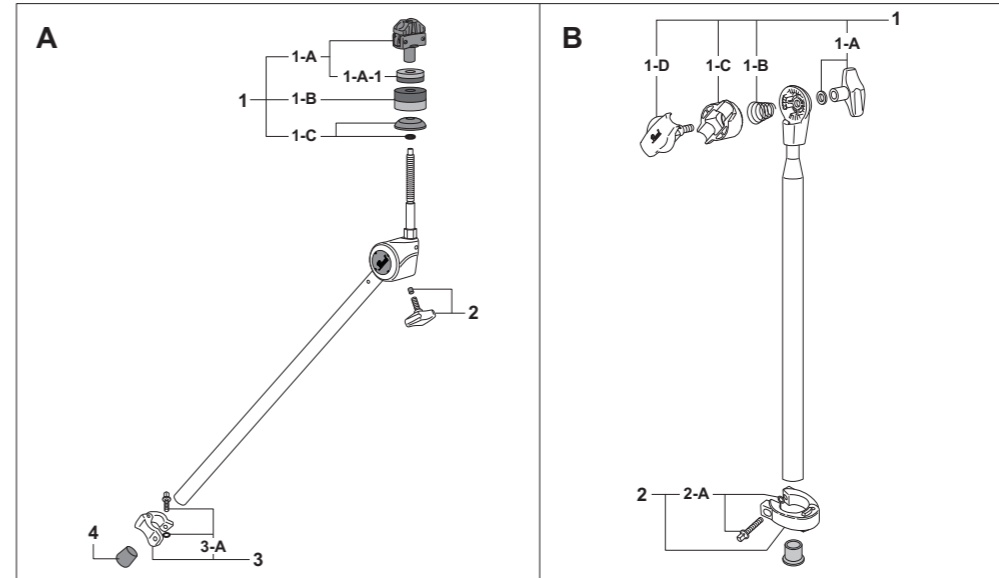
## CH-70



- A AA-CH70 Boom Assy. Complete**  
 1 UTS-83 Upper Tilter Section Complete  
 1-A PL-010 Plastic Cymbal Nut  
 1-B FLW-004 Felt Washer (one each)  
 1-C PL-011 Cymbal Seat Cup  
 2 SN-800A Bolt & Nut Set w/Spring  
 2-A UGN-8 Die-Cast Wing Nut w/Washer  
 2-B SG-001 Spring  
 2-C SC-36B-ED Clamp Bolt  
 3 ZD-072A Tilter Unit  
 4 NP-72 Plastic Tip
- B CA-70A Clamp Assy. Complete**  
 1 BC-70AN Boom Clamp Assy. Complete  
 1-A UGN-8 Die-Cast Wing Nut w/Washer  
 1-B SG-001 Spring  
 1-C DC-335 Clamp Gear Link  
 1-D ME-67 Boom Clamp Bolt  
 2 UGN-8 Die-Cast Wing Nut w/Washer  
 3 M-8RN Knurled Round Nut w/Washer  
 4 SG-009 Spring

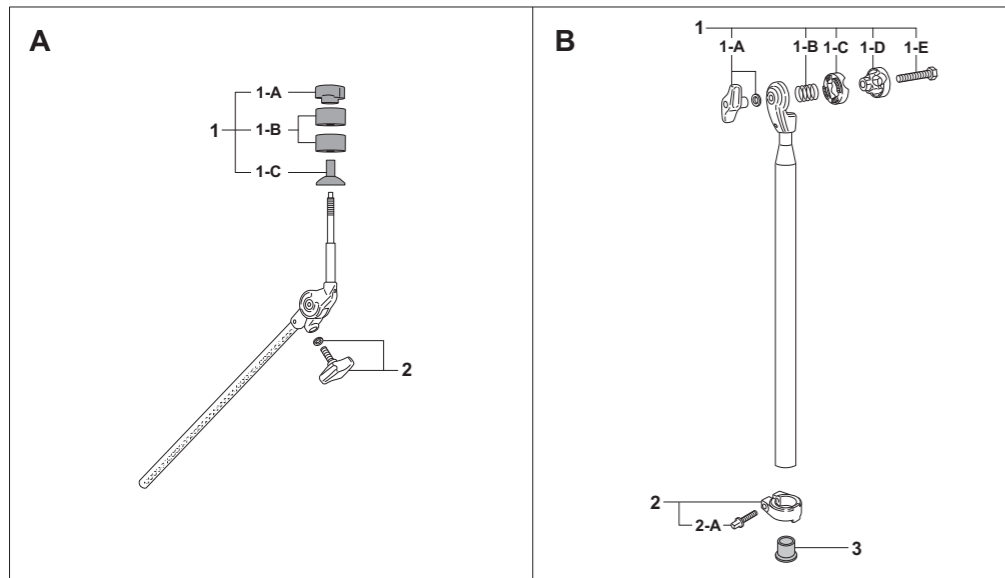
# CYMBAL HOLDERS

## CH-1030B



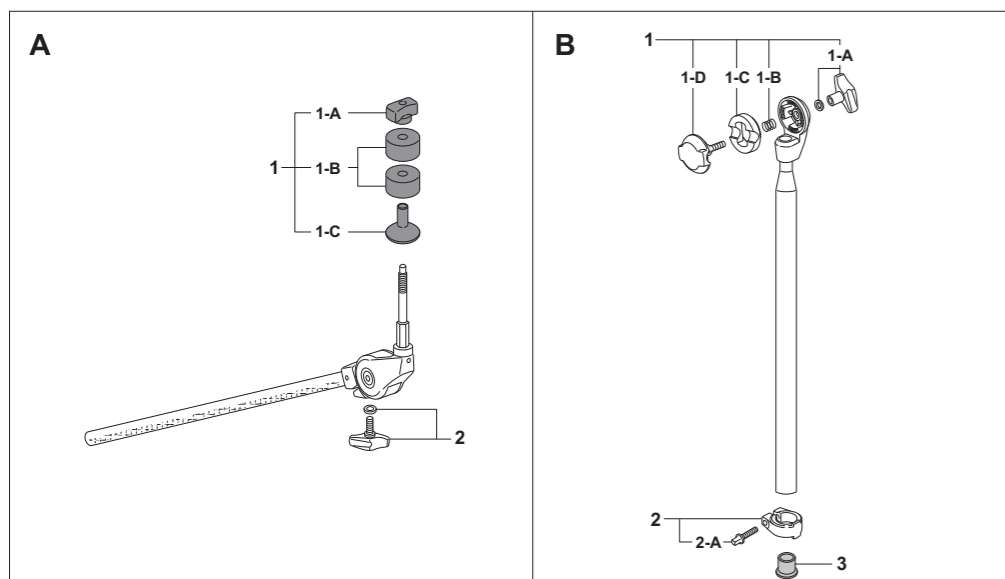
- A AA-B103 Boom Assy. Complete**  
 1 WL-230A WingLoc Assy. Complete  
 1-A WL-230 WingLoc Quick Release Wing Nut w/Reversible Felt/Foam Washer  
 1-A-1 FLW-006 Top Reversible Felt/Foam Washer  
 1-B FLW-005 Bottom Reversible Felt/Foam Washer  
 1-C RC-20 Reversible Seat Cup w/O-Ring  
 2 UGB-815P Die-Cast Wing Bolt w/Pin  
 3 DC-625A Stop Lock Complete  
 3-A KB-615O Key Bolt w/O-Ring  
 4 NP-71 Plastic Tip
- B UT-CH103B Tube Assy. Complete**  
 1 BC-BC203 Boom Clamp Assy. Complete  
 1-A UGN-8L Die-Cast Wing Nut w/Washer  
 1-B SG-007N Spring  
 1-C ZD-129 Clamp Gear Link  
 1-D ZD-128A Boom Clamp Bolt  
 2 RSP-22TN Stop Lock Complete  
 2-A KB-625O Key Bolt w/O-Ring  
 3 NP-164 Plastic End Cap

## CH-830/830S



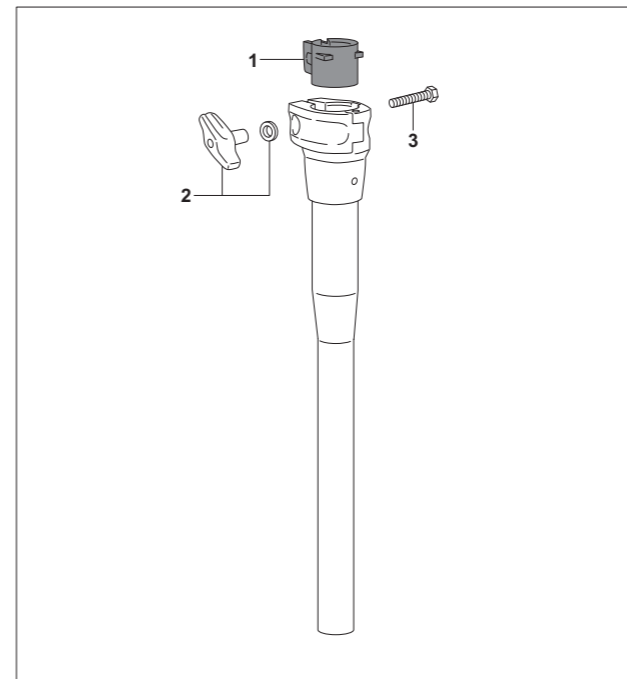
- A AA-BC83 Boom Assy. Complete (CH-830)**  
**AA-BC83S Boom Assy. Complete (CH-830S)**  
 1 UTS-83 Upper Tilter Section Complete  
 1-A PL-010 Plastic Cymbal Nut  
 1-B FLW-004 Felt Washer (one each)  
 1-C PL-011 Cymbal Seat Cup  
 2 UGB-830TW Die-Cast Wing Nut w/Washer
- B UT-CH83BC Tube Assy. Complete (CH-830)**  
**UT-CH83BCS Tube Assy. Complete (CH-830S)**  
 1 BC-BC83 Boom Clamp Assy. Complete  
 1-A UGN-8T Die-Cast Wing Nut w/Washer  
 1-B SG-001 Spring  
 1-C ZD-118 Clamp Gear Link  
 1-D ZD-119 Boom Clamp  
 1-E SC-471 Boom Clamp Bolt  
 2 ZD-081A Stop Lock Complete  
 2-A KB-625 Key Bolt  
 3 NP-164 Plastic End Cap

## CH-930



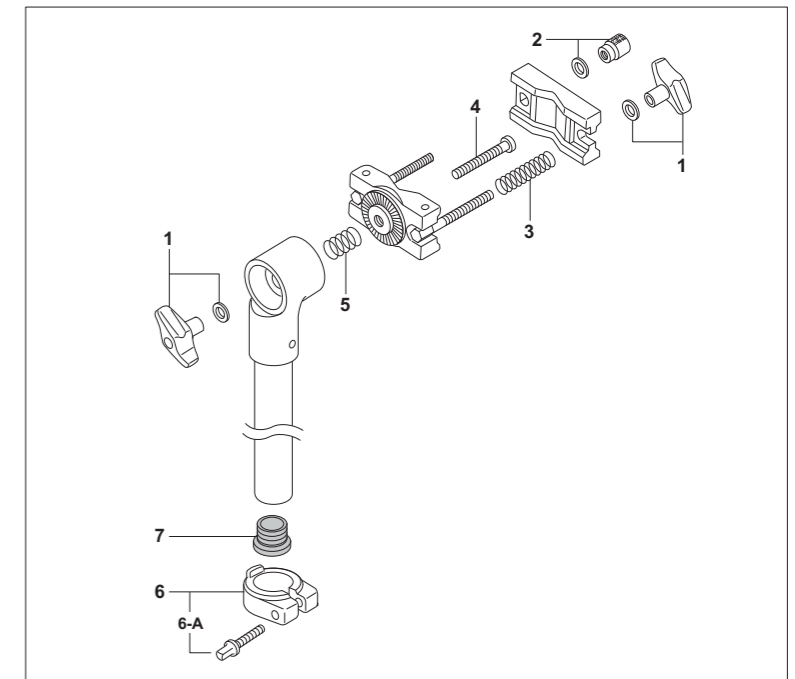
- A AA-BC90 Boom Assy. Complete**  
 1 UTS-93 Upper Tilter Section Complete  
 1-A PL-010 Plastic Cymbal Nut  
 1-B FLW-001 Felt Washer (one each)  
 1-C PL-011 Cymbal Seat Cup  
 2 UGB-830W Die-Cast Wing Bolt w/Washer
- B UT-CH93BC Tube Assy. Complete**  
 1 BC-BC90 Boom Clamp Assy. Complete  
 1-A UGN-8 Die-Cast Wing Nut w/Washer  
 1-B SG-001 Spring  
 1-C ZD-018N Clamp Gear Link  
 1-D ZD-019A Boom Clamp Bolt  
 2 ZD-081A Stop Lock Complete  
 2-A KB-625 Key Bolt  
 3 NP-164 Plastic End Cap

## TX-100 Tube Extender



- 1 NP-366 Nylon Bushing  
 2 UGN-6 Die-Cast Wing Nut w/Washer  
 3 SC-169 Clamp Bolt

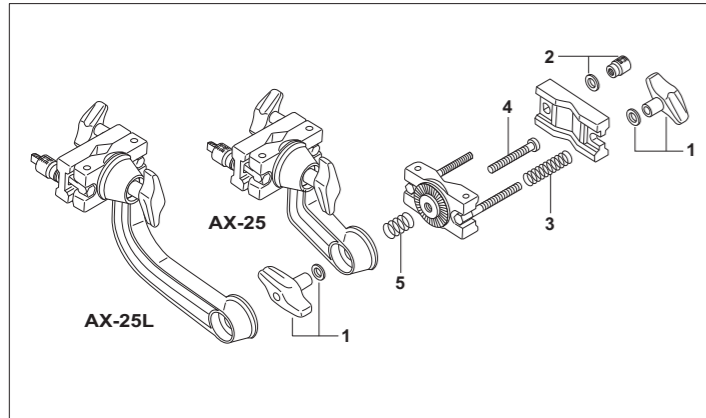
## UX-80/80S Universal Clam



- 1 UGN-8 Die-Cast Wing Nut w/Washer (one set)  
 2 M-8RN Knurled Round Nut w/Washer  
 3 SG-009 Spring  
 4 SC-144 Center Bolt  
 5 SP-36 Spring  
 6 ZD-081A Stop Lock Complete  
 6-A KB-625 Key Bolt  
 7 NP-164 Plastic End Cap

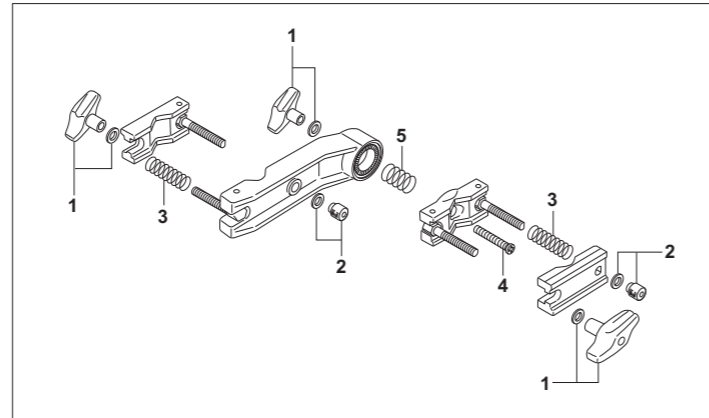
# ADAPTERS

## AX-25 / 25L



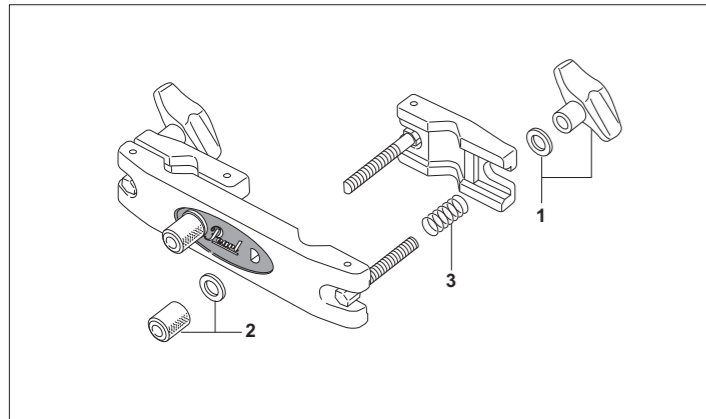
- 1 UGN-8 Die-Cast Wing Nut w/Washer (one set)
- 2 M-8RN Knurled Round Nut w/Washer
- 3 SG-009 Spring
- 4 SC-144 Center Bolt
- 5 SP-36 Spring

## AX-28



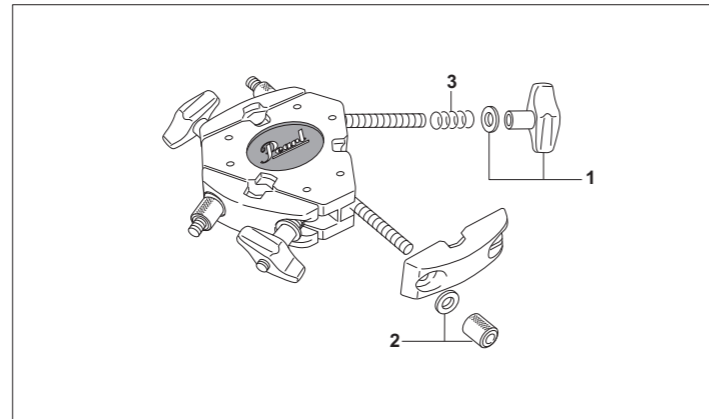
- 1 UGN-8 Die-Cast Wing Nut w/Washer (one set)
- 2 M-8RN Knurled Round Nut w/Washer (one each)
- 3 SG-009 Spring (one each)
- 4 SC-144 Center Bolt
- 5 SP-36 Spring

## ADP-20



- 1 UGN-8 Die-Cast Wing Nut w/Washer (one set)
- 2 M-8RN Knurled Round Nut w/Washer
- 3 SG-009 Spring

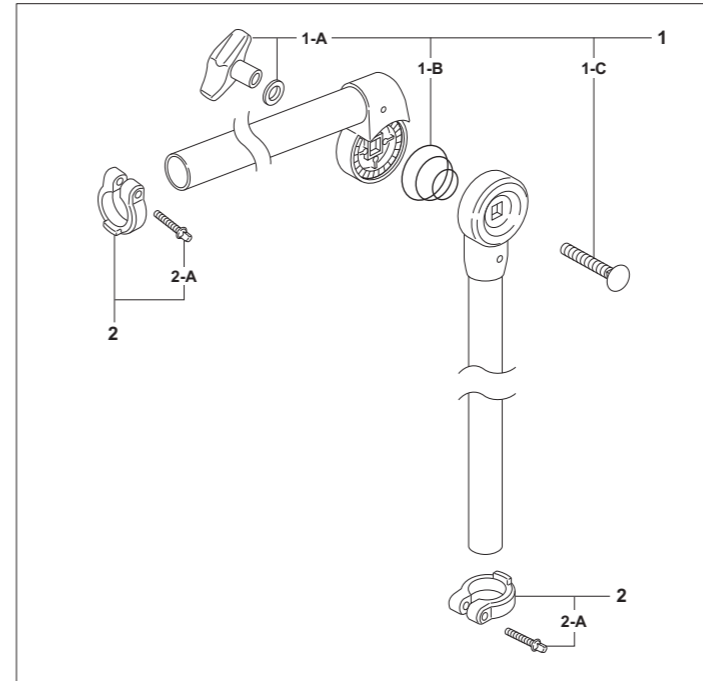
## ADP-30



- 1 UGN-8 Die-Cast Wing Nut w/Washer (one set)
- 2 M-8RN Knurled Round Nut w/Washer
- 3 SG-009 Spring

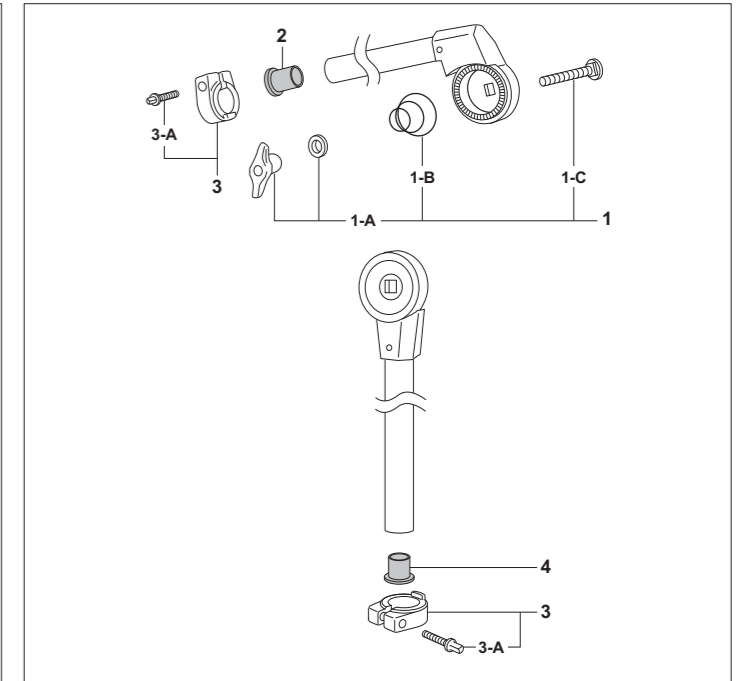
# TOM HOLDERS

## TH-70I / 70S



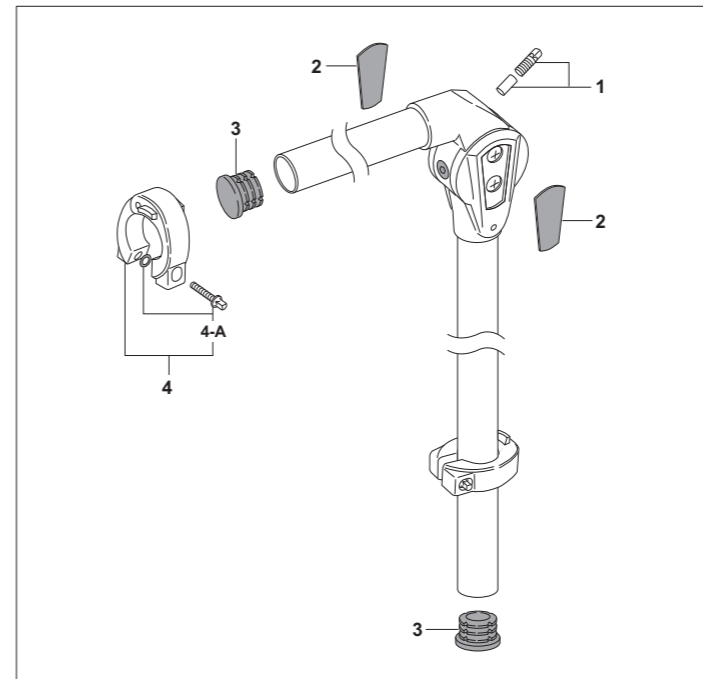
- 1 SN-85A Bolt & Nut Set w/Spring
- 1-A UGN-8 Die-Cast Wing Nut w/Washer
- 1-B SG-007N Spring
- 1-C SC-36B-ED Clamp Bolt
- 2 ZD-081A Stop Lock Complete (one set)
- 2-A KB-625 Key Bolt

## TH-88I / 88S



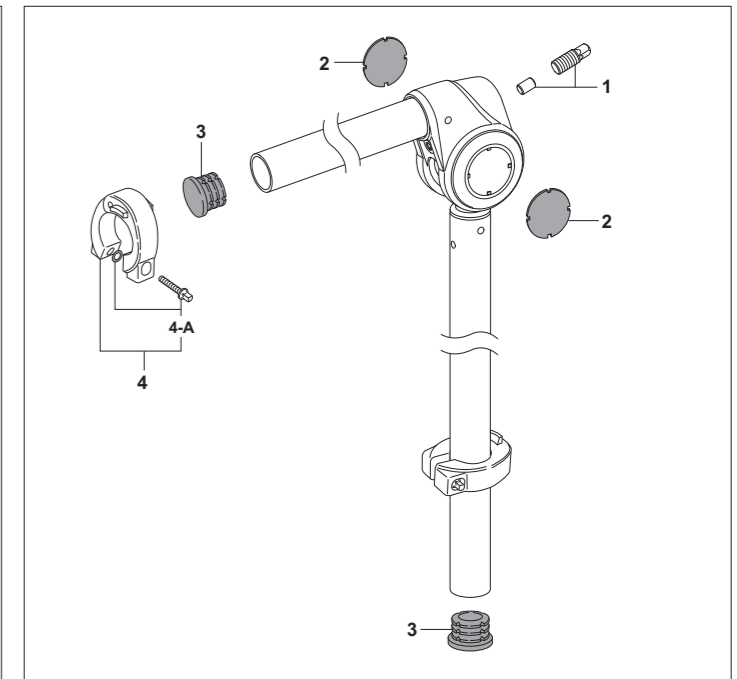
- 1 SN-85A Bolt & Nut Set w/Spring
- 1-A UGN-8 Die-Cast Wing Nut w/Washer
- 1-B SG-007N Spring
- 1-C SC-36B-ED Clamp Bolt
- 2 NP-164 Plastic End Cap
- 3 ZD-081A Stop Lock Complete (one set)
- 3-A KB-625 Key Bolt
- 4 NP-164 Plastic End Cap

## TH-900I / 900S



- 1 KB-821P Key Bolt w/Pin
- 2 LGS-005 Logo Plate (one each)
- 3 NP-164 Plastic End Cap (one each)
- 4 RSP-22TN Stop Lock Complete (one set)
- 4-A KB-625O Key Bolt w/O-Ring

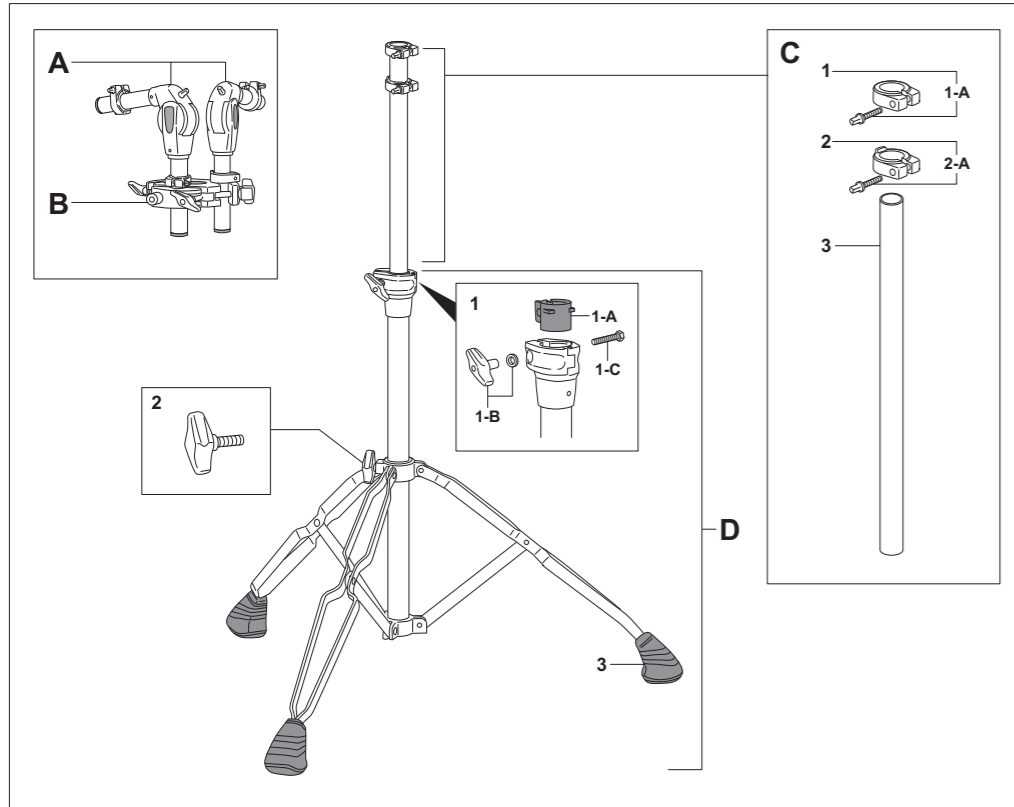
## TH-1030 / 1030I / 1030S



- 1 KB-814P Key Bolt w/Pin
- 2 B-TH-1 Logo Plate (one each)
- 3 NP-164 Plastic End Cap (one each)
- 4 RSP-22TN Stop Lock Complete (one set)
- 4-A KB-625O Key Bolt w/O-Ring

# TOM STANDS

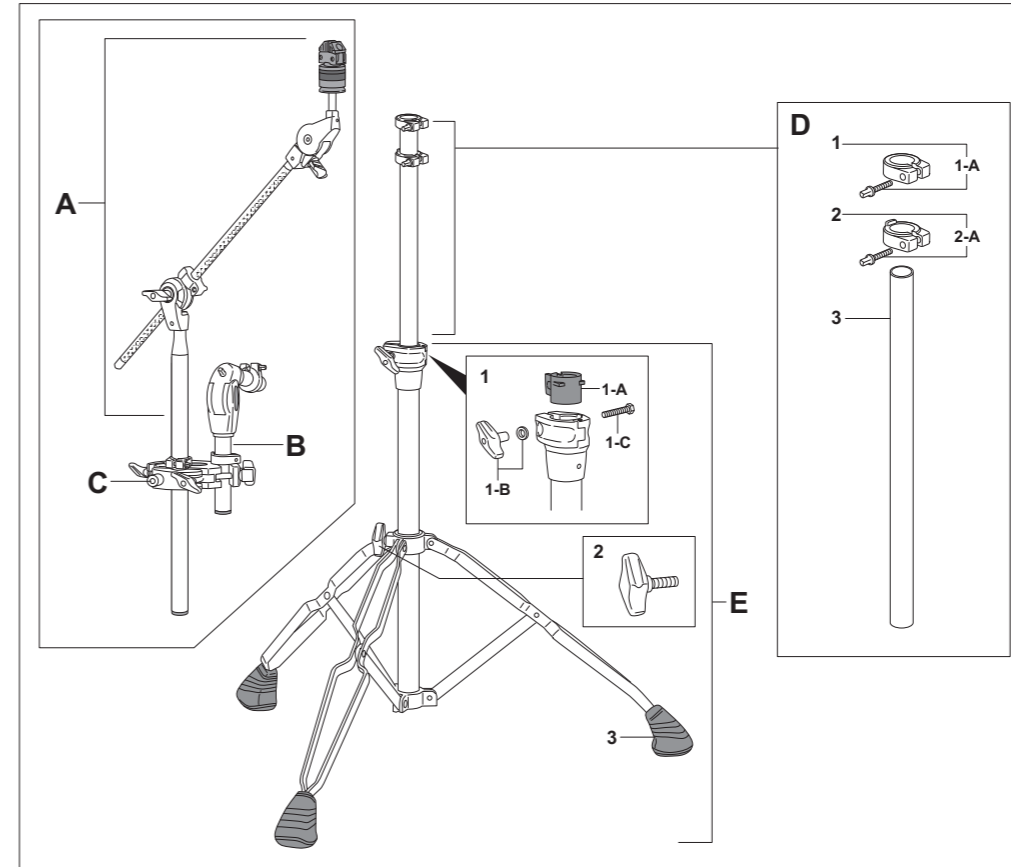
## T-930



- A TH-900S Tom Holder, Short (one each)**
- B ADP-30 Adapter - Please refer to the Adapter section**
- C UT-T89 Upper Tube Assy. Complete**
- 1 ZD-081TA Stop Lock Complete
- 1-A KB-625 Key Bolt
- 2 ZD-081A Stop Lock Complete
- 2-A KB-625 Key Bolt
- 3 TU-90T Upper Tube ONLY
- D BA-93 Base Assy. Complete**
- 1 PJ-100L Die-Cast Joint Assy. Complete
- 1-A NP-366 Nylon Bushing
- 1-B UGN-6 Die-Cast Wing Nut w/Washer
- 1-C SC-169 Clamp Bolt
- 2 UGB-815S Die-Cast Wing Bolt
- 3 RB-008 Rubber Tip (one each)

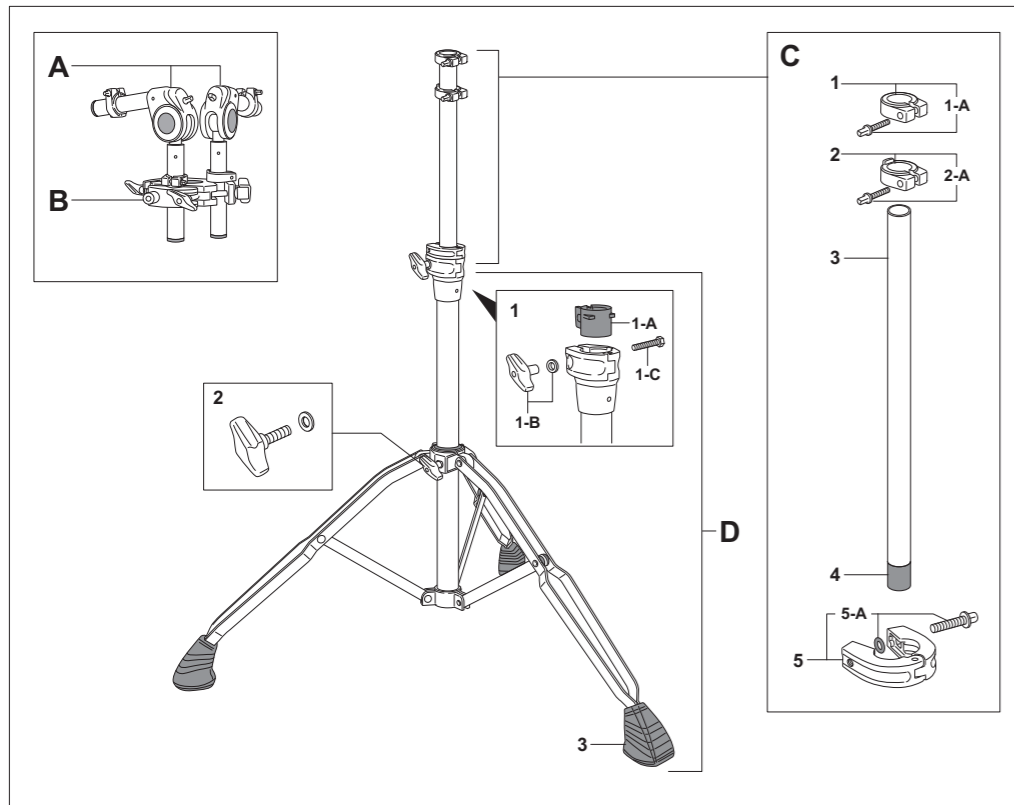
# TOM CYMBAL STANDS

## TC-930



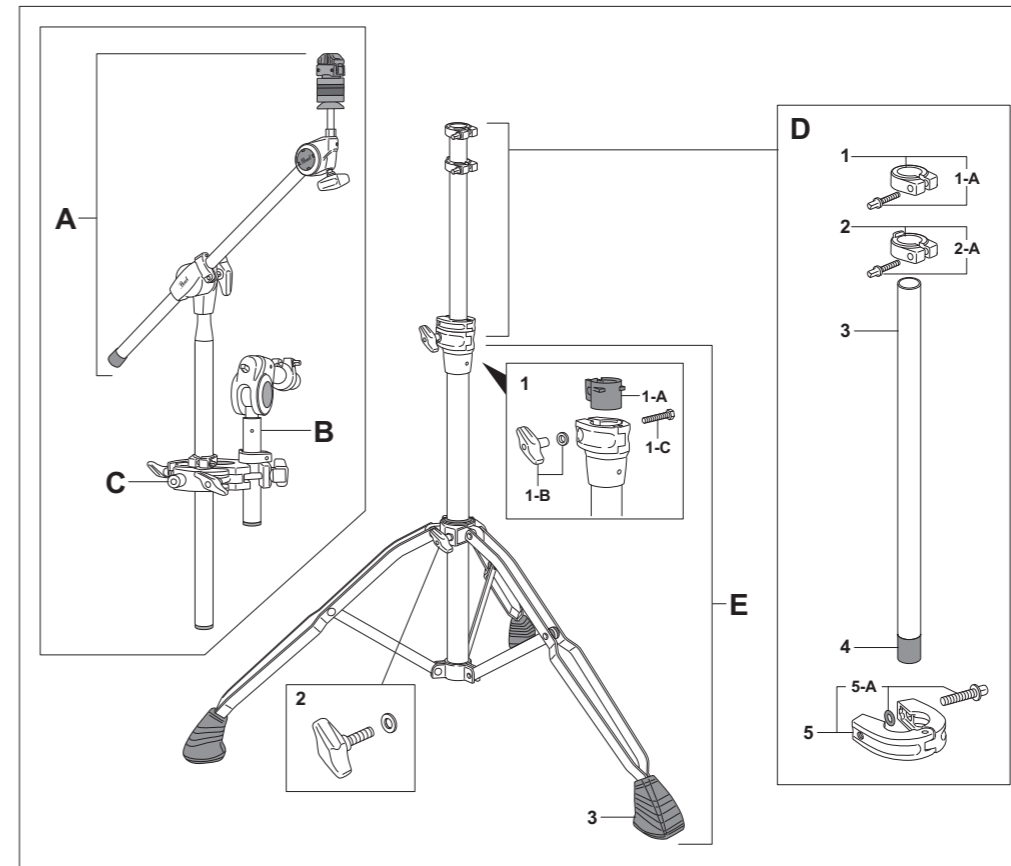
- A CH-930 Cymbal Holder**
- B TH-900S Tom Holder, Short**
- C ADP-30 Adapter - Please refer to the Adapter section**
- D UT-T89 Upper Tube Assy. Complete**
- 1 ZD-081TA Stop Lock Complete
- 1-A KB-625 Key Bolt
- 2 ZD-081A Stop Lock Complete
- 2-A KB-625 Key Bolt
- 3 TU-90T Upper Tube ONLY
- E BA-93 Base Assy. Complete**
- 1 PJ-100L Die-Cast Joint Assy. Complete
- 1-A NP-366 Nylon Bushing
- 1-B UGN-6 Die-Cast Wing Nut w/Washer
- 1-C SC-169 Clamp Bolt
- 2 UGB-815S Die-Cast Wing Bolt
- 3 RB-008 Rubber Tip (one each)

## T-1030



- A TH-1030S Tom Holder, Short (one each)**
- B ADP-30 Adapter - Please refer to the Adapter section**
- C UT-T103 Upper Tube Assy. Complete**
- 1 ZD-081TA Stop Lock Complete
- 1-A KB-625 Key Bolt
- 2 ZD-081A Stop Lock Complete
- 2-A KB-625 Key Bolt
- 3 TU-90T Upper Tube ONLY
- 4 NP-376 Plastic Tip
- 5 ZD-104A Stop Lock Complete
- 5-A KB-625O Key Bolt w/O-Ring
- D BA-103 Base Assy. Complete**
- 1 PJ-100L Die-Cast Joint Assy. Complete
- 1-A NP-366 Nylon Bushing
- 1-B UGN-6 Die-Cast Wing Nut w/Washer
- 1-C SC-169 Clamp Bolt
- 2 UGB-815SW Die-Cast Wing Bolt w/Washer
- 3 RB-001 Rubber Tip (one each)

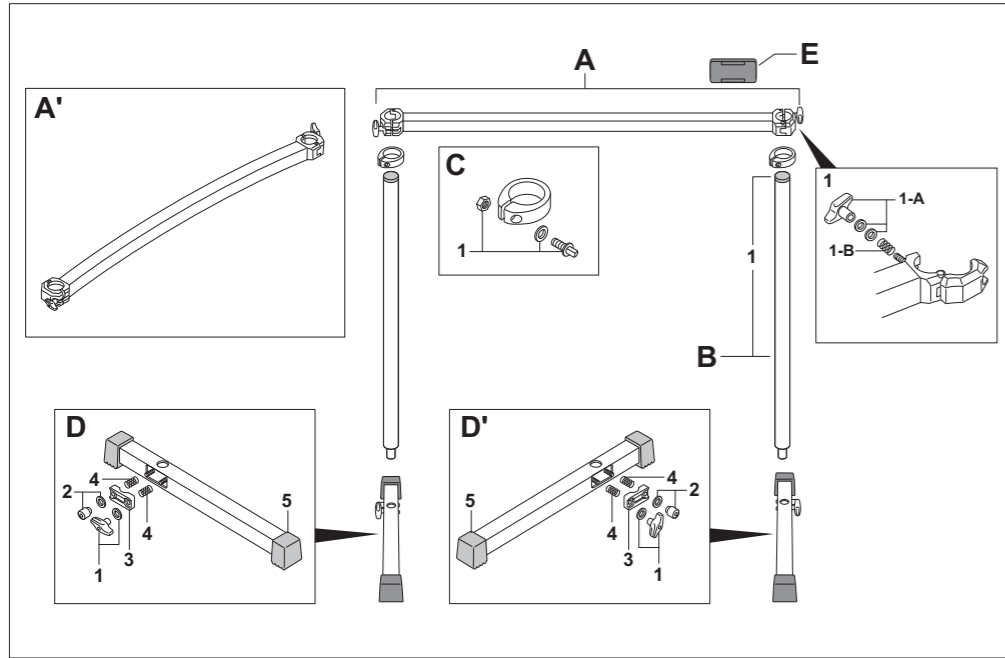
## TC-1030B



- A CH-1030B Cymbal Holder**
- B TH-1030S Tom Holder, Short**
- C ADP-30 Adapter - Please refer to the Adapter section**
- D UT-T103 Upper Tube Assy. Complete**
- 1 ZD-081TA Stop Lock Complete
- 1-A KB-625 Key Bolt
- 2 ZD-081A Stop Lock Complete
- 2-A KB-625 Key Bolt
- 3 TU-90T Upper Tube ONLY
- 4 NP-376 Plastic Tip
- 5 ZD-104A Stop Lock Complete
- 5-A KB-625O Key Bolt w/O-Ring
- E BA-103 Base Assy. Complete**
- 1 PJ-100L Die-Cast Joint Assy. Complete
- 1-A NP-366 Nylon Bushing
- 1-B UGN-6 Die-Cast Wing Nut w/Washer
- 1-C SC-169 Clamp Bolt
- 2 UGB-815SW Die-Cast Wing Bolt w/Washer
- 3 RB-001 Rubber Tip (one each)

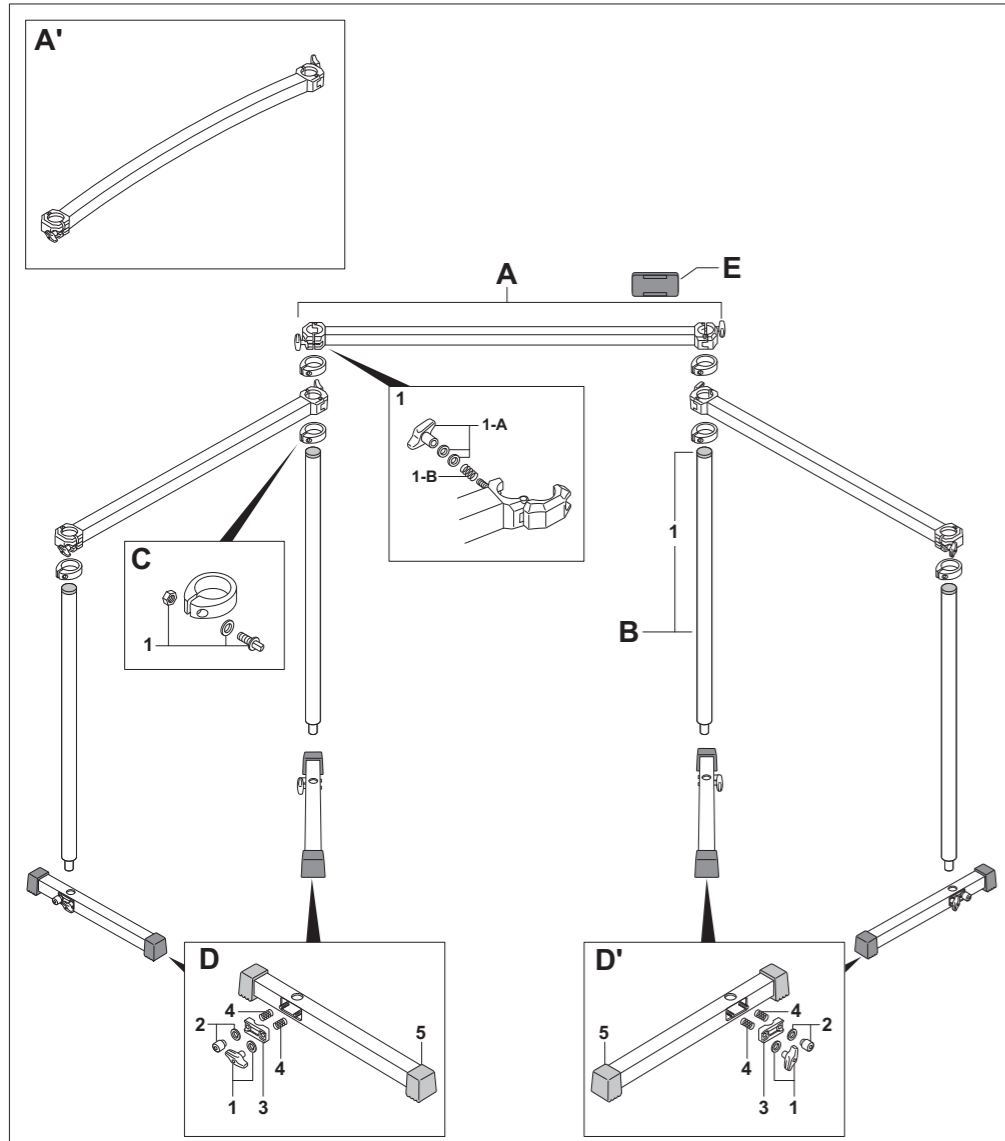
# DRUM RACKS

## DR-501 / 501C / 501E / 501CE



- A AL-18A Straight Rack Bar Complete**
- 1 DC-424A Die-Cast Clamp Assy. Complete
- 1-A UGN-8W Die-Cast Wing Nut w/Washers
- 1-B SP-57 Spring
- A' AL-28AC Curved Rack Bar Complete**
- B P-38800A Steel Leg**
- 1 NP-338 Plastic Cap
- C DC-426A Stop Lock Complete**
- 1 KB-625A Key Bolt w/Washer & Hexagonal Nut
- D KP-38500LA Floor Bar Assy. Complete (Left Side)**
- 1 UGN-8 Die-Cast Wing Nut w/Washer
- 2 M-8RN Knurled Round Nut w/Washer
- 3 DC-366 Die-Cast Link
- 4 SG-006N Spring (one each)
- 5 NP-188 Rubber Foot (one each)
- D' KP-38500RA Floor Bar Assy. Complete (Right Side)**
- 1 UGN-8 Die-Cast Wing Nut w/Washer
- 2 M-8RN Knurled Round Nut w/Washer
- 3 DC-366 Die-Cast Link
- 4 SG-006N Spring (one each)
- 5 NP-188 Rubber Foot (one each)
- E NP-394 Clip on Logo**

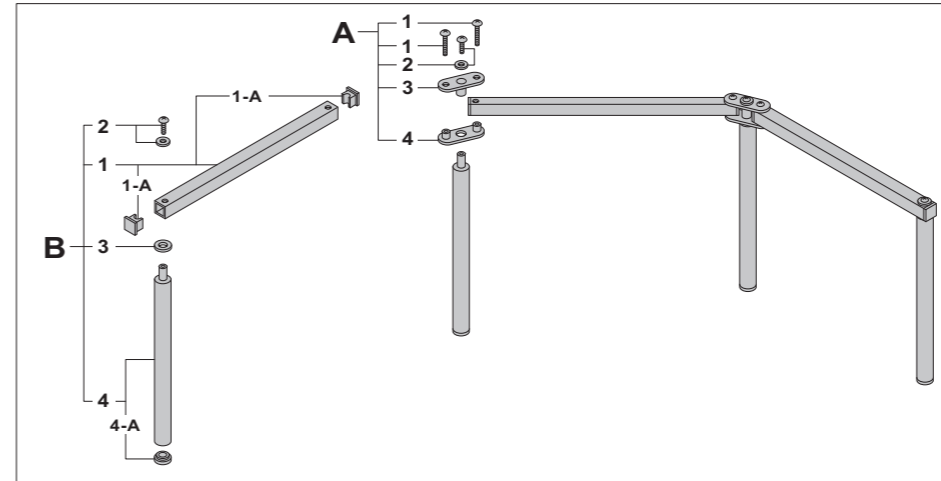
## DR-503 / 503C



- A AL-18A Straight Rack Bar Complete**
- 1 DC-424A Die-Cast Clamp Assy. Complete
- 1-A UGN-8W Die-Cast Wing Nut w/Washers
- 1-B SP-57 Spring
- A' AL-28AC Curved Rack Bar Complete**
- B P-38800A Steel Leg**
- 1 NP-338 Plastic Cap
- C DC-426A Stop Lock Complete**
- 1 KB-625A Key Bolt w/Washer & Hexagonal Nut
- D KP-38500LA Floor Bar Assy. Complete (Left Side)**
- 1 UGN-8 Die-Cast Wing Nut w/Washer
- 2 M-8RN Knurled Round Nut w/Washer
- 3 DC-366 Die-Cast Link
- 4 SG-006N Spring (one each)
- 5 NP-188 Rubber Foot (one each)
- D' KP-38500RA Floor Bar Assy. Complete (Right Side)**
- 1 UGN-8 Die-Cast Wing Nut w/Washer
- 2 M-8RN Knurled Round Nut w/Washer
- 3 DC-366 Die-Cast Link
- 4 SG-006N Spring (one each)
- 5 NP-188 Rubber Foot (one each)
- E NP-394 Clip on Logo**

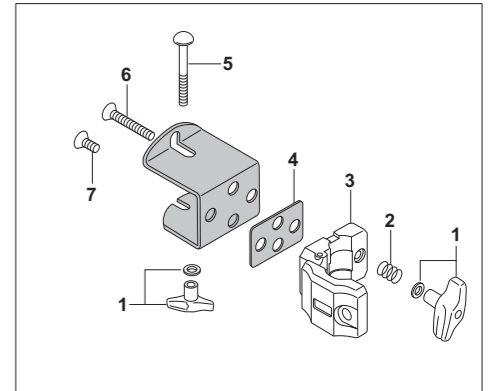
# DRUM RACKS, PIPE CLAMPS, RACK JOINT

## DR-80



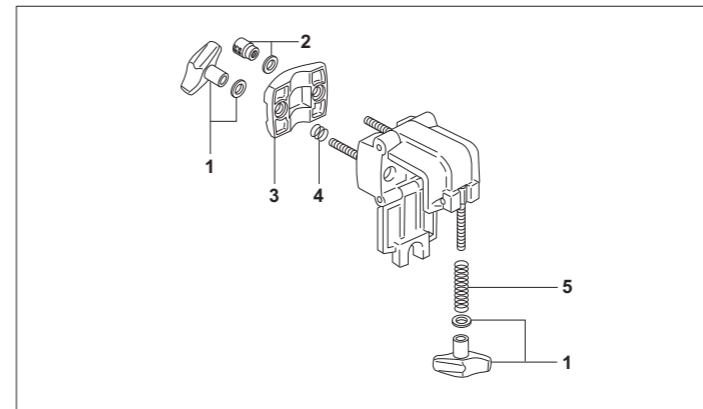
- A DR-JC1 Joint Assy. Complete**
- 1 SC-202 Bolt (Long) (one each)
- 2 SC-228A Bolt w/Washer (Short)
- 3 LKP-7 Upper Link Plate w/Leg Bracket
- 4 LKP-4 Lower Link Plate w/Nuts
- B DR-008 Expansion Unit Complete**
- 1 AL-13 Bar w/End Caps
- 1-A NP-162 End Cap (one each)
- 2 SC-228A Bolt w/Washer (Short)
- 3 PR-282 Leg Spacer
- 4 120N Leg w/Leg Cap
- 4-A NP-163 Leg Cap

## PC-8



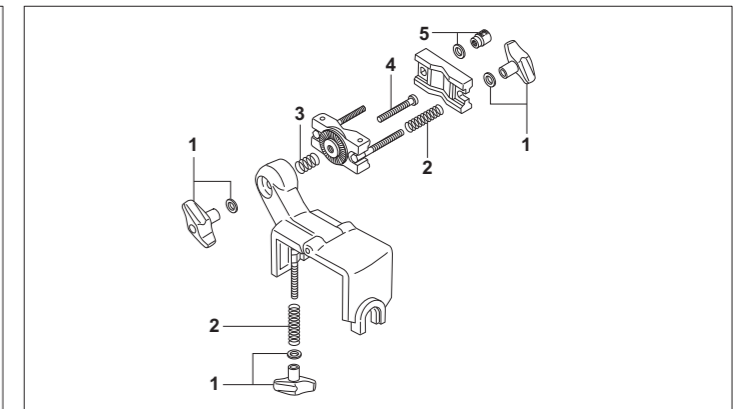
- 1 UGN-8 Die-Cast Wing Nut w/Washer (one each)
- 2 SG-006N Spring
- 3 DC-422A Hinged Clamp ONLY
- 4 GA-45N Gasket
- 5 SC-160 Carriage Bolt
- 6 SC-205 Clamp Bolt, Long
- 7 SC-279 Clamp Bolt, Short

## PCX-100



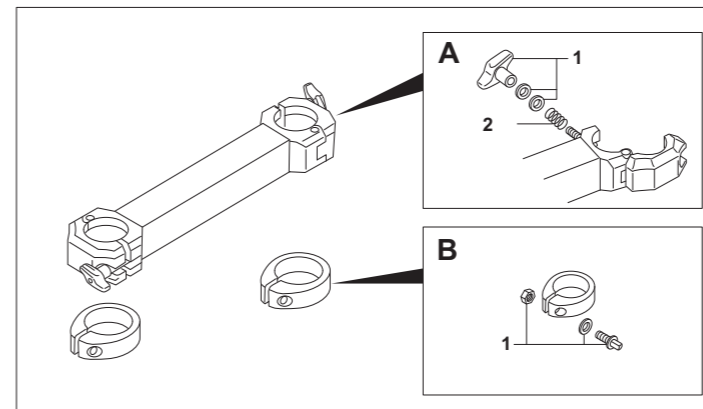
- 1 UGN-8 Die-Cast Wing Nut w/Washer (one set)
- 2 M-8RN Knurled Round Nut w/Washer
- 3 DC-587 Die-Cast Link
- 4 SG-006N Spring
- 5 SG-009 Spring

## PCX-200



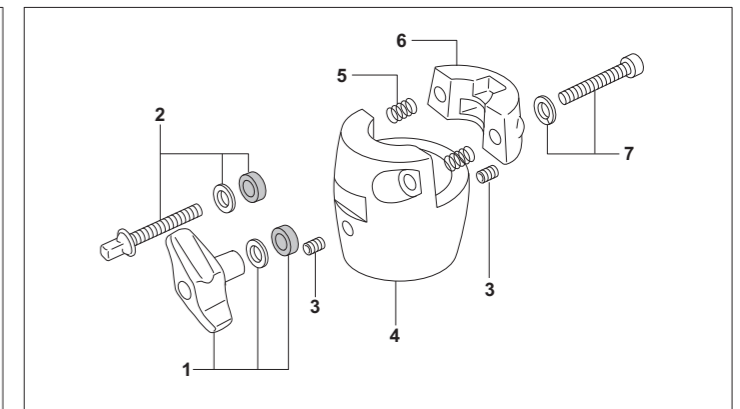
- 1 UGN-8 Die-Cast Wing Nut w/Washer (one set)
- 2 SG-009 Spring
- 3 SP-36 Spring
- 4 SC-144 Center Bolt
- 5 M-8RN Knurled Round Nut w/Washer

## RJ-50



- A DC-424A Die-Cast Clamp Assy. Complete**
- 1 UGN-8W Die-Cast Wing Nut w/Washers
- 2 SP-57 Spring
- B DC-426A Stop Lock Complete**
- 1 KB-625A Key Bolt w/Washer & Hexagonal Nut

## PCL-100

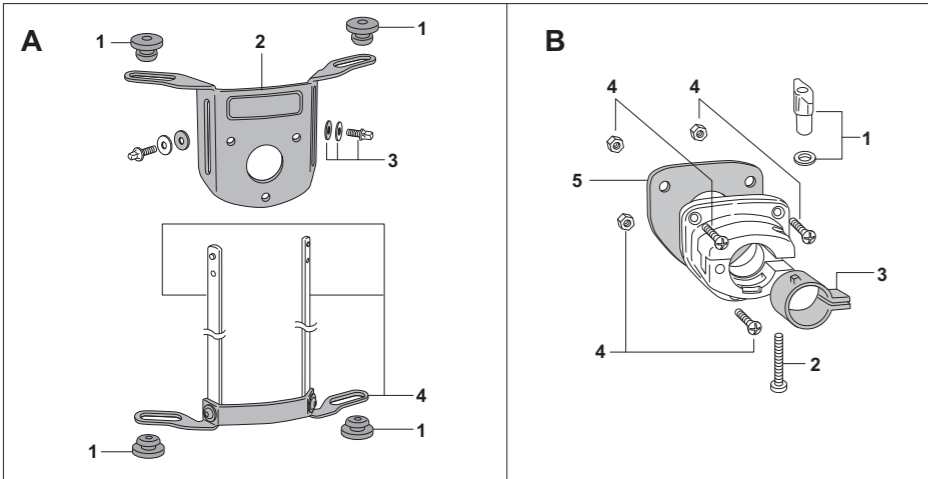


- 1 UGN-6W Die-Cast Wing Nut w/Washers
- 2 KB-630W Key Bolt w/Washers
- 3 SB-66 Allen Screw (one each)
- 4 DC-544 Pipe Bracket
- 5 SG-004 Spring (one each)
- 6 DC-545 Clamp Bracket
- 7 SC-341W Bolt w/Washer



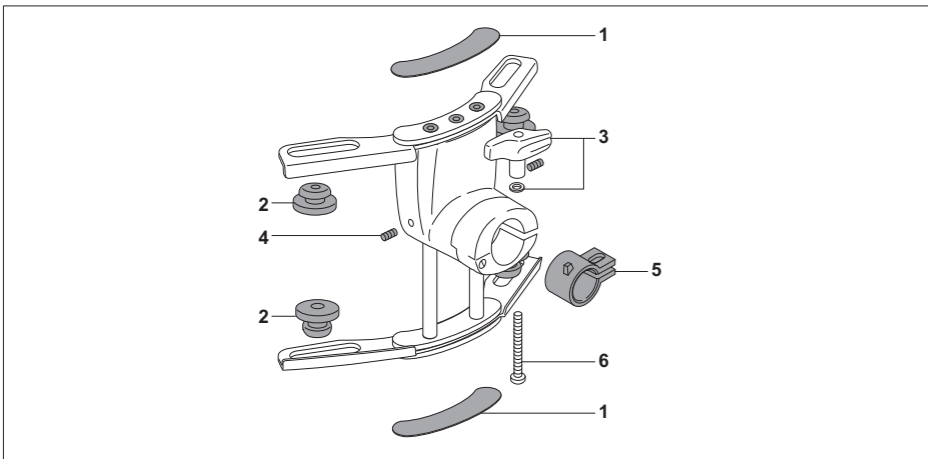
# OPTIMOUNT, OPTI-LOC

## OptiMount Suspension System



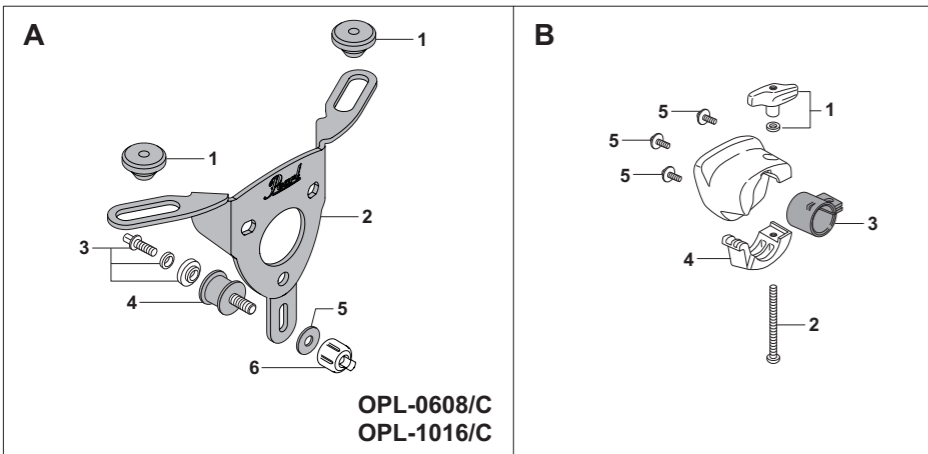
- A**
- OPT-78 Optimount w/o BT-3 (for OPT-0708)
  - OPT-91 Optimount w/o BT-3 (for OPT-0910)
  - OPT-112 Optimount w/o BT-3 (for OPT-1112)
  - OPT-134 Optimount w/o BT-3 (for OPT-1314)
  - OPT-156 Optimount w/o BT-3 (for OPT-1516)
- 1 NP-265 Mounting Rubber (one each)
  - 2 PR-528 Bracket Mounting Plate ONLY
  - 3 KB-615WB Key Bolt w/Washers
  - 4 PR-529A Lower Mounting Plate Assy. \* (for OPT-0708)
  - PR-530A Lower Mounting Plate Assy. \* (for OPT-0910)
  - PR-531A Lower Mounting Plate Assy. \* (for OPT-1112)
  - PR-532A Lower Mounting Plate Assy. \* (for OPT-1314)
  - PR-537A Lower Mounting Plate Assy. \* (for OPT-1516) (one set)
- \* (Includes Lower Mounting Plate and 1pr. connecting struts ONLY)
- B**
- BT-3-OPT Mounting Bracket
  - 1 UGN-6 Die-Cast Wing Nut w/Washer
  - 2 SC-68 Clamp Bolt
  - 3 NP-65 Nylon Bushing
  - 4 IS-MS Mounting Screw & Nut (one set)
  - 5 NP-260P Gasket

## Aluminum OptiMount Suspension System



- 1 DDC-OPTA Logo Sticker
- 2 NP-419 Rubber Grommet (one each)
- 3 UGN-6 Die-Cast Wing Nut w/Washer
- 4 SB-66 Allen Screw (one each)
- 5 NP-420 Nylon Bushing
- 6 SC-68 Clamp Bolt

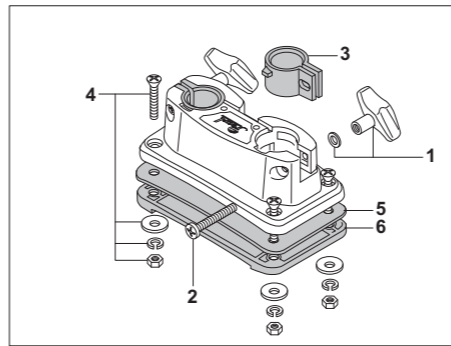
## Opti-Loc (OPL)



- A**
- OPL-68 Opti-Loc w/o BT-300 (for OPL-0608/C)
  - 1 RB-021 Mounting Rubber (one each)
  - 2 OBP-0608 Bracket Mounting Plate (for OPL-0608/C)
  - 3 KB-620WS Key Bolt w/Washer & Spacer
  - 4 OSR-1 Rubber Suspension Post
  - 5 NP-270 Fiber Washer
  - 6 ZD-145 Key Nut
- A**
- OPL-16 Opti-Loc w/o BT-300 (for OPL-1016/C)
  - 1 RB-021 Mounting Rubber (one each)
  - 2 OBP-1016 Bracket Mounting Plate (for OPL-1016/C)
  - 3 KB-620WS Key Bolt w/Washer & Spacer
  - 4 OSR-1 Rubber Suspension Post
  - 5 NP-270 Fiber Washer
  - 6 ZD-145 Key Nut
- B**
- BT-300-OPL Mounting Bracket
  - 1 UGN-6 Die-Cast Wing Nut w/Washer
  - 2 SC-394 Clamp Bolt
  - 3 PL-020 Nylon Bushing
  - 4 ZD-048 Clamp
  - 5 SC-145L Mounting Screw w/Washer (one each)

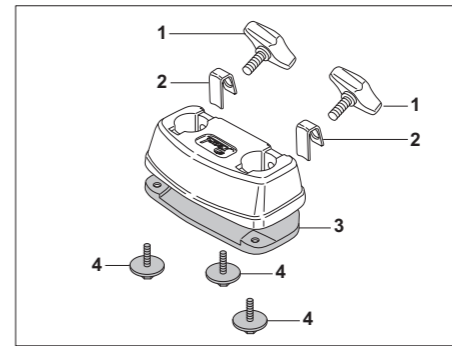
# TOM HOLDER BASES, BRACKETS

## BB-3



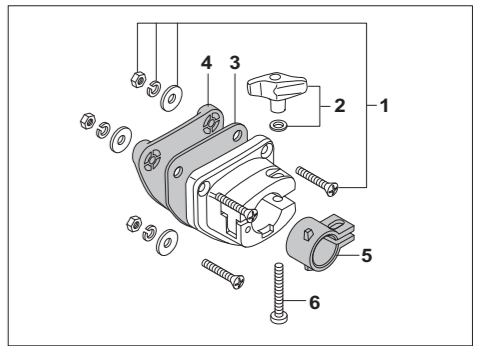
- 1 UGN-6 Die-Cast Wing Nut w/Washer (one set)
- 2 SC-68 Clamp Bolt (one each)
- 3 NP-65 Nylon Bushing (one each)
- 4 B-MS Mounting Screw, Washers & Nut (one set)
- 5 NP-259P Rubber Gasket
- 6 NP-185 Set Plate

## BB-70



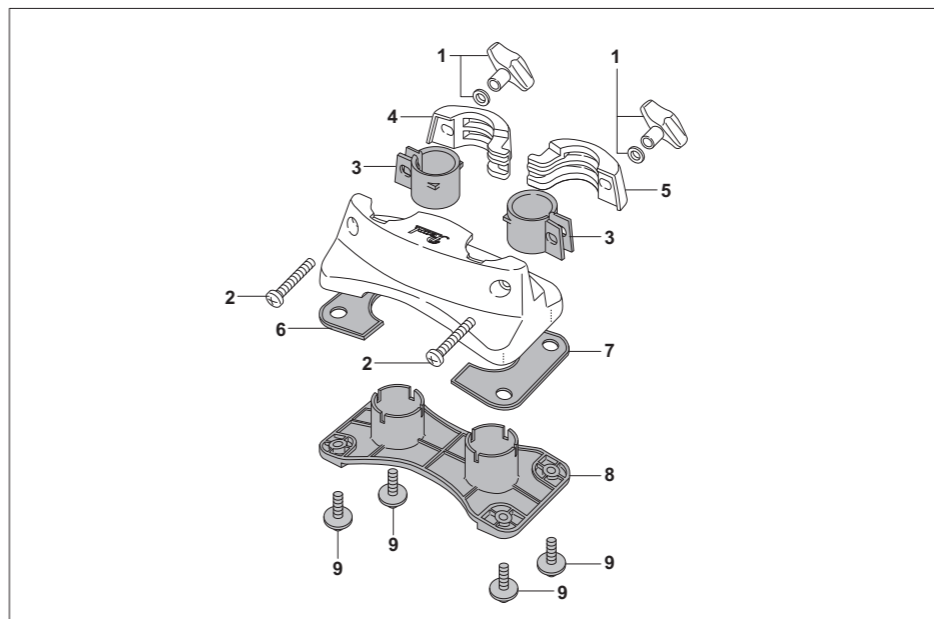
- 1 UGB-815S Die-Cast Wing Bolt (one each)
- 2 HP-BP Steel Bracket (one each)
- 3 NP-611 Set Plate
- 4 SC-233R Mounting Screw w/Washer (one each)

## BT-3



- 1 T-MS Mounting Screw, Washers & Nut (one set)
- 2 UGN-6 Die-Cast Wing Nut w/Washer
- 3 NP-260P Gasket
- 4 NP-186 Set Plate
- 5 NP-65 Nylon Bushing
- 6 SC-68 Clamp Bolt

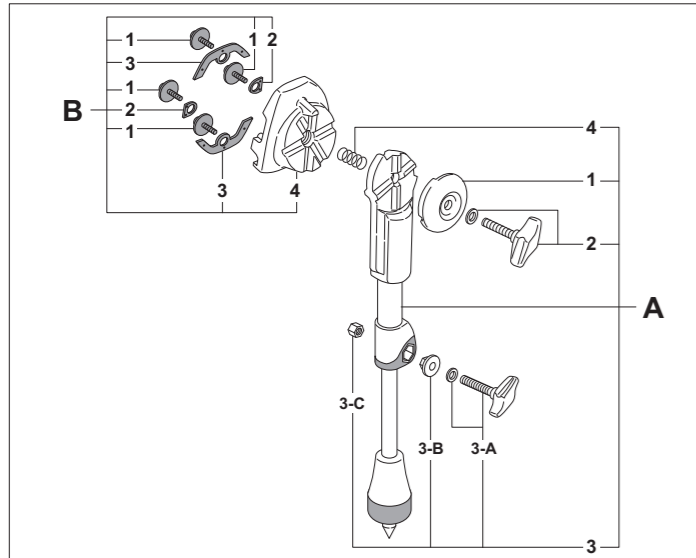
## BB-300/C



- 1 UGN-6 Die-Cast Wing Nut w/Washer (one set)
- 2 SC-394 Clamp Bolt (one each)
- 3 PL-020 Nylon Bushing (one each)
- 4 ZD-043 Clamp, Right Side
- 5 ZD-044 Clamp, Left Side
- 6 PL-026N Rubber Gasket, Left Side for 22" & 24"
- PL-024 Rubber Gasket, Left Side for 20"
- 7 PL-027N Rubber Gasket, Right Side for 22" & 24"
- PL-025 Rubber Gasket, Right Side for 20"
- 8 PL-023 Set Plate
- 9 SC-413R Mounting Screw w/Washer (6 ply-one each)
- SC-413R Mounting Screw w/Washer (Thin 6 ply-one each)

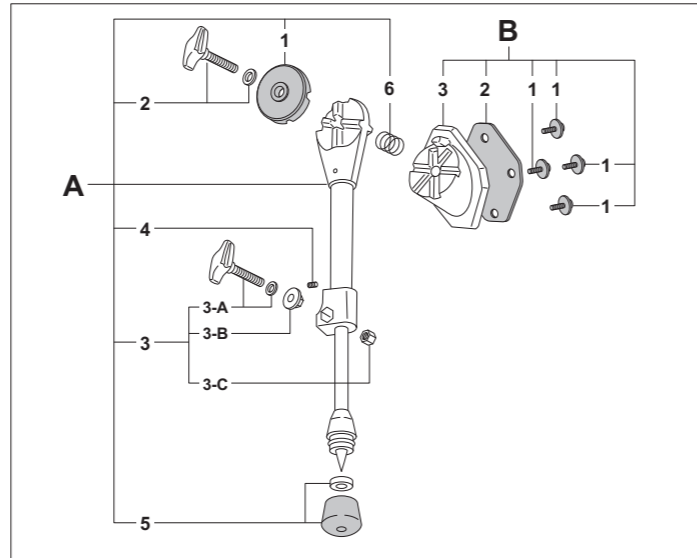
# BASS DRUM SPURS

## SP-300



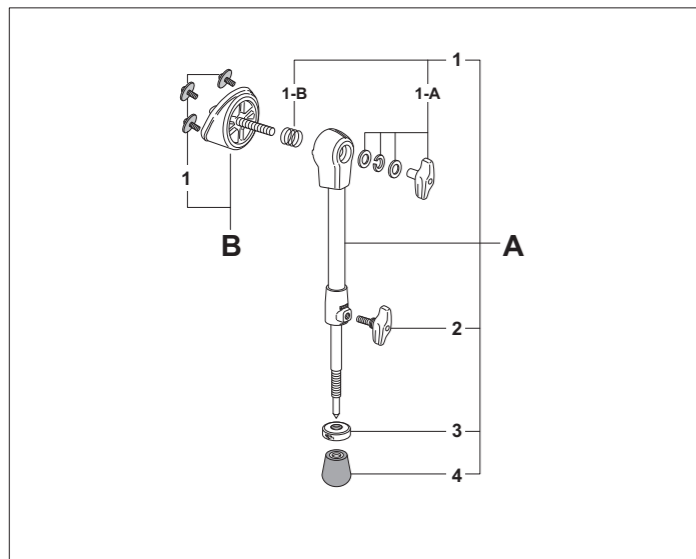
<b>A</b>	<b>SP-300A</b>	<b>Spur Assy. Complete</b>	<b>B</b>	<b>SPB-300</b>	<b>Spur Bracket Complete</b>
1	DC-667	Outer Cap	1	SM-512B	Mounting Screw w/Washer (6 ply-one each)
2	UGB-835WA	Die-Cast Wing Bolt w/Washer		SM-514B	Mounting Screw w/Washer (8 ply-one each)
3	SP-300D	Die-Cast Wing Bolt Set		NP-415P	Rubber Gasket (one each)
3-A	UGB-628W	Die-Cast Wing Bolt w/Washer	2	NP-414P	Rubber Gasket (one each)
3-B	DC-664	Hexagonal Washer	3	DC-661	Spur Bracket ONLY
3-C	DC-665	Hexagonal Nut	4		
4	SP-020	Spring			

## SP-30



<b>A</b>	<b>SP-30A</b>	<b>Spur Assy. Complete</b>	<b>B</b>	<b>SP-30E</b>	<b>Spur Bracket Complete</b>
1	SP-30C	Outer Cap	1	SM-512B	Mounting Screw w/Washer (one each)
2	UGB-835WA	Die-Cast Wing Bolt w/Washer	2	NP-244P	Rubber Gasket
3	SP-30D	Die-Cast Wing Bolt Set	3	DC-88	Spur Bracket ONLY
3-A	UGB-628W	Die-Cast Wing Bolt w/Washer			
3-B	DC-91	Hexagonal Washer			
3-C	ME-90	Hexagonal Nut			
4	SB-55	Allen Screw			
5	R-30A	Rubber Tip w/Washer			
6	SP-205	Spring			

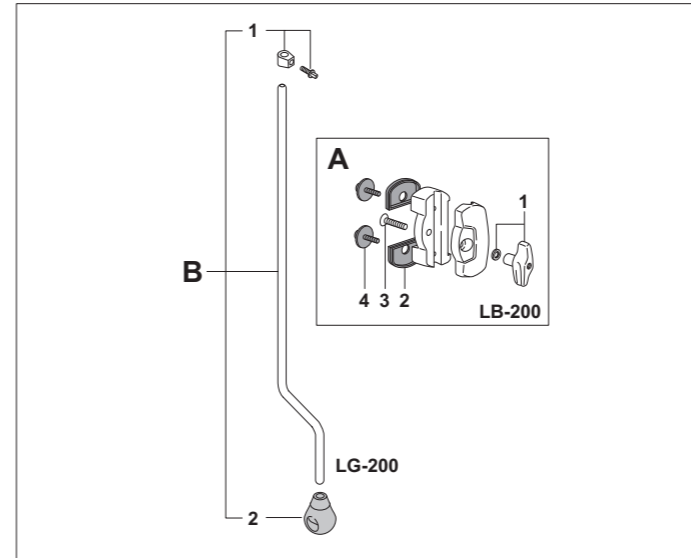
## BSP-70



<b>A</b>	<b>SP-70A</b>	<b>Spur Assy. Complete</b>	<b>B</b>	<b>SPB-70A</b>	<b>Spur Bracket Complete</b>
1	SP-20B	Die-Cast Wing Nut w/Washer and Spring	1	SC-3DT	Mounting Screw w/Washer (one each)
1-A	UGN-8TW	Die-Cast Wing Nut w/Washer			
1-B	SG-011	Spring			
2	UGB-610	Die-Cast Wing Bolt			
3	RHA-1T	Lock Nut			
4	RHS-1R	Rubber Tip			

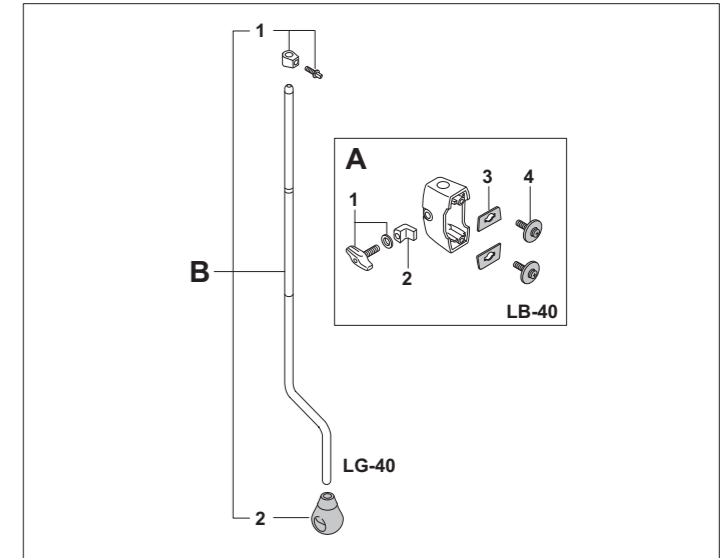
# FLOOR TOM LEG BRACKETS & LEGS

## LB-200 / LG-200



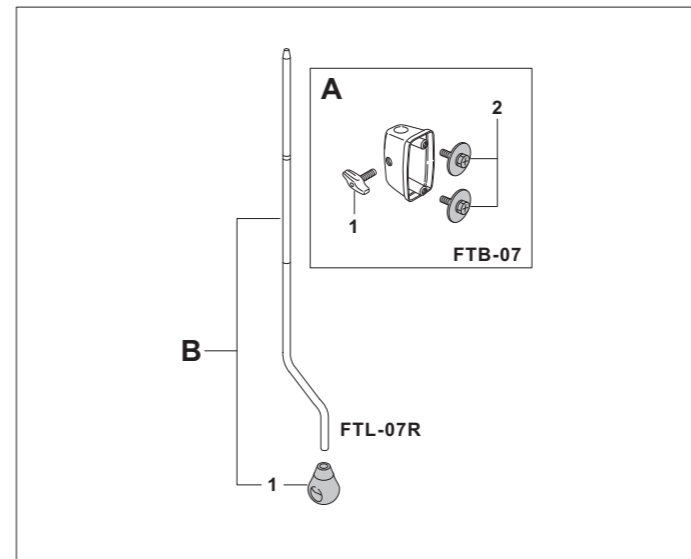
<b>A</b>	<b>LB-200</b>	<b>Floor Tom Leg Bracket Assy. Complete</b>	<b>B</b>	<b>LG-200</b>	<b>Floor Tom Leg Complete w/Stop Lock &amp; Rubber Tip</b>
1	UGN-6	Die-Cast Wing Nut w/Washer	1	LG-02NS	Stop Lock Complete
2	NP-413	Rubber Gasket (one each)	2	R-40	Air Suspension Rubber Tip
3	SC-365	Screw			
4	SM-514B	Mounting Screw w/Washer (one each)			

## LB-40 / LG-40



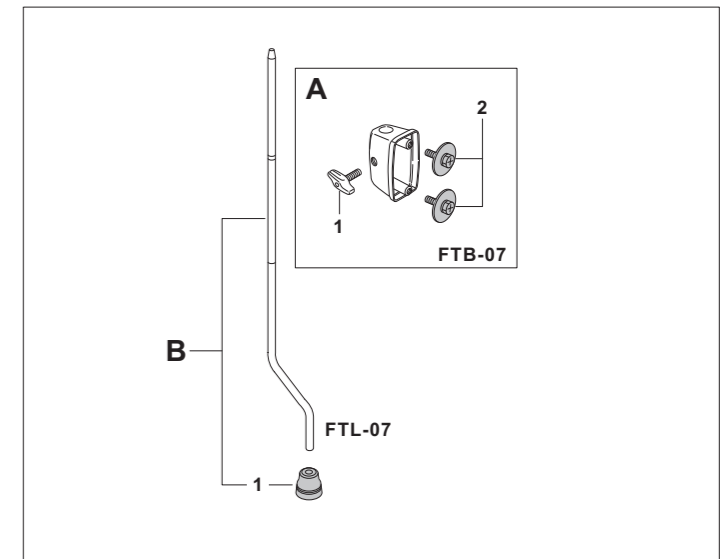
<b>A</b>	<b>LB-40</b>	<b>Floor Tom Leg Bracket Assy. Complete</b>	<b>B</b>	<b>LG-40</b>	<b>Floor Tom Leg Complete w/Stop Lock &amp; Rubber Tip</b>
1	UGB-620	Die-Cast Wing Bolt w/Washer	1	LG-04S	Stop Lock Complete
2	DC-337	Lock Nut	2	R-40	Air Suspension Rubber Tip
3	NP-245P	Rubber Gasket (one each)			
4	SM-512BW	Mounting Screw w/Washer (4 ply-one each)			
	SM-514BW	Mounting Screw w/Washer (6 ply-one each)			

## FTB-07 / FTL-07R



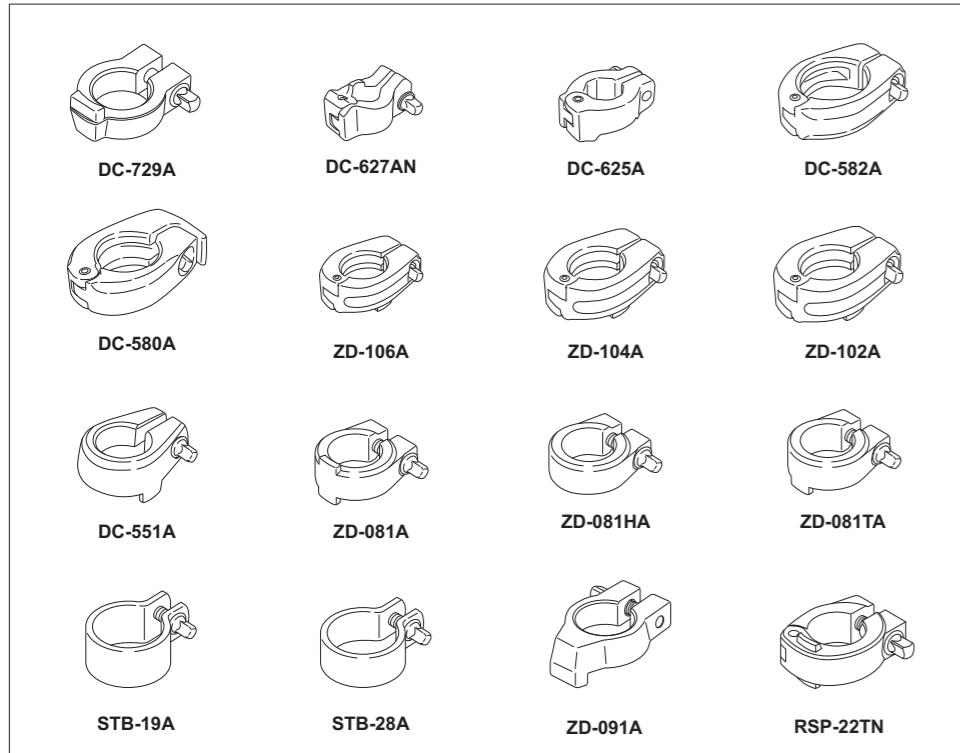
<b>A</b>	<b>FTB-07</b>	<b>Floor Tom Leg Bracket Assy. Complete</b>	<b>B</b>	<b>FTL-07R</b>	<b>Floor Tom Leg Complete w/Rubber Tip</b>
1	UGB-815S	Die-Cast Wing Bolt	1	R-40	Rubber Tip
2	SC-3DT	Mounting Screw w/Washer (one each)			

## FTB-07 / FTL-07



<b>A</b>	<b>FTB-07</b>	<b>Floor Tom Leg Bracket Assy. Complete</b>	<b>B</b>	<b>FTL-07</b>	<b>Floor Tom Leg Complete w/Rubber Tip</b>
1	UGB-815S	Die-Cast Wing Bolt	1	R-5	Rubber Tip
2	SC-3DT	Mounting Screw w/Washer (one each)			

# STOP LOCKS



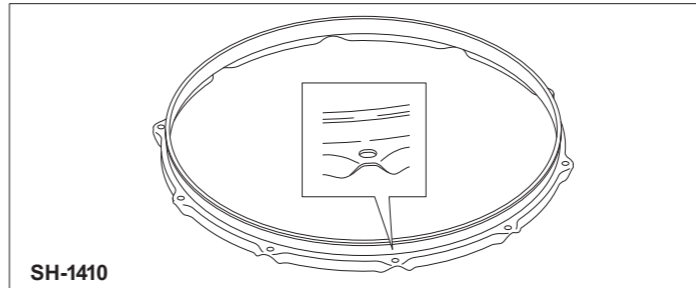
Number	Application
DC-729A	D-1000N, D-1000SN, D-1000SPN, D-2500, D-2500BR
DC-627AN	CLH-930, BC-2030
DC-625A	B-1030, BC-2030, CH-1030B
DC-582A	BC-2030
DC-580A	D-1000SPN
ZD-106A	BC-2030
ZD-104A	H-930, BC-2030, T-1030, TC-1030B
ZD-102A	H-1050, H-2050
DC-551A	D-930
ZD-081A	CLH-930, JG-16, JG-16NK, CH-830, CH-830S, CH-930, UX-80 / 80S, TH-70I / 70S, TH-88I / 88S, T-930, T-1030, TC-930, TC-1030B
ZD-081HA	D-730S
ZD-081TA	T-930, T-1030, TC-930, TC-1030B
STB-28A	D-790, D-930
ZD-091A	D-790
RSP-22TN	CH-1030B, TH-900I / 900S, TH-1030 / 1030I / 1030S
STB-19A	S-150S

# SNARE WIRES

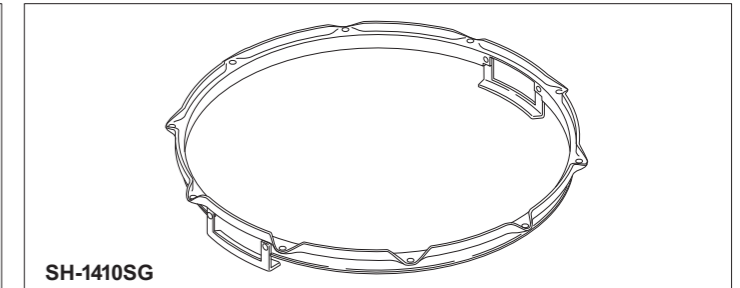
Model#	Strands	Size	Material	Model#	Strands	Size	Material
SN-1320C	20	13"	Ultra-Sound Snare Wire, C-type, w/strap & cord	S-022	20	14"	High Carbon Steel, Straps
SN-1420C	20	14"	Ultra-Sound Snare Wire, C-type, w/strap & cord	S-022N	20	14"	High Carbon Steel, Cords
SN-1442C	42	14"	Ultra-Sound Snare Wire, C-type, w/strap & cord	S-025	20	14" (for SR-010)	High Carbon Steel
SN-1320D	20	13"	Ultra-Sound Snare Wire, D-type, w/strap & cord	S-029N	20	13"	High Carbon Steel
SN-1420D	20	14"	Ultra-Sound Snare Wire, D-type, w/strap & cord	S-030N	24	14"	High Carbon Steel
SN-1442D	42	14"	Ultra-Sound Snare Wire, D-type, w/strap & cord	S-031N	20	12"	High Carbon Steel
SN-1320I	20	13"	Ultra-Sound Snare Wire, I-type, w/strap & cord	S-032N	16	10"	High Carbon Steel
SN-1420I	20	14"	Ultra-Sound Snare Wire, I-type, w/strap & cord	S-033N	16	12"	High Carbon Steel
SN-1442I	42	14"	Ultra-Sound Snare Wire, I-type, w/strap & cord	S-040	15	14"	Steel, thinner gauge
SN-1520I	20	15"	Ultra-Sound Snare Wire, I-type, w/strap & cord	S-041	15	14"	Bronze, thicker gauge

# HOOPS

## Super Hoop II, Regular Steel Hoops



SH-1410



SH-1410SG

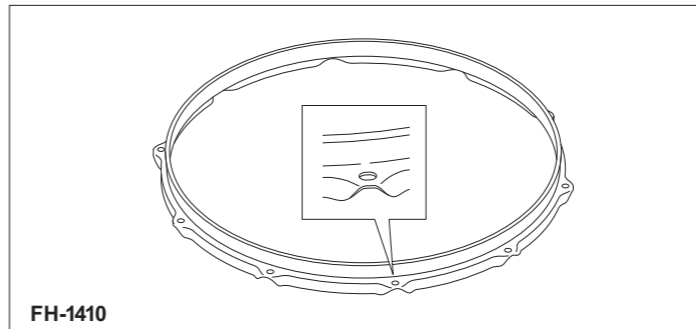
### Super Hoop II

Number	Dia.	Description	Number	Dia.	Description
SH-0604	6"	4 rod	SH-1408	14"	8 rod
SH-0805	8"	5 rod	SH-1408S	14"	8 rod, snare side
SH-1006	10"	6 rod	SH-1410B	14"	10 rod, batter side
SH-1006S	10"	6 rod, snare side	SH-1410S	14"	10 rod, snare side
SH-1206	12"	6 rod	SH-1410SG	14"	10 rod, snare side w/guard
SH-1208	12"	8 rod	SH-1508	15"	8 rod
SH-1208S	12"	8 rod, snare side	SH-1608	16"	8 rod
SH-1306	13"	6 rod	SH-1808	18"	8 rod

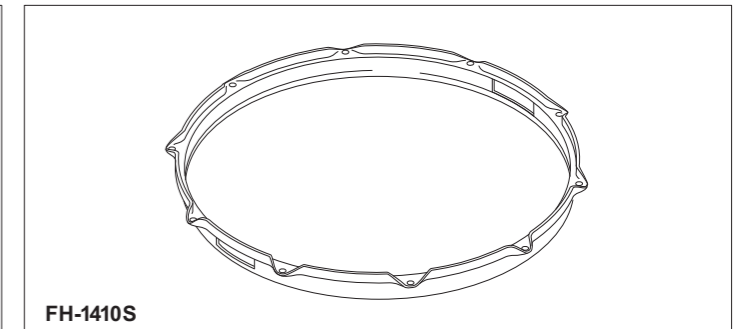
### Regular Steel Hoops

Number	Dia.	Description	Number	Dia.	Description
RIM-0804	8"	4 rod	RIM-1408B	14"	8 rod, batter side
RIM-1006	10"	6 rod	RIM-1408S	14"	8 rod, snare side
RIM-1206	12"	6 rod	RIM-1410B	14"	10 rod, batter side
RIM-1306	13"	6 rod	RIM-1410S	14"	10 rod, snare side
RIM-1308B	13"	8 rod, batter side	RIM-1606	16"	6 rod
RIM-1308S	13"	8 rod, snare side	RIM-1608	16"	8 rod
RIM-1406	14"	6 rod	RIM-1808	18"	8 rod

## FatTone Hoops



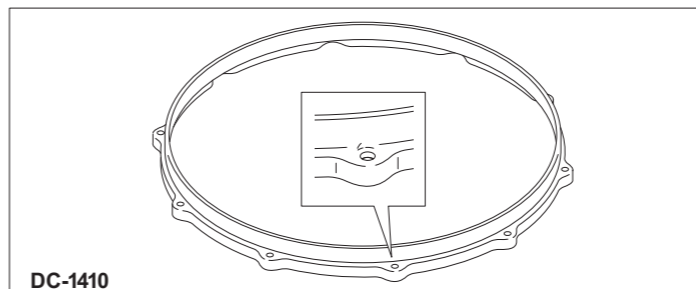
FH-1410



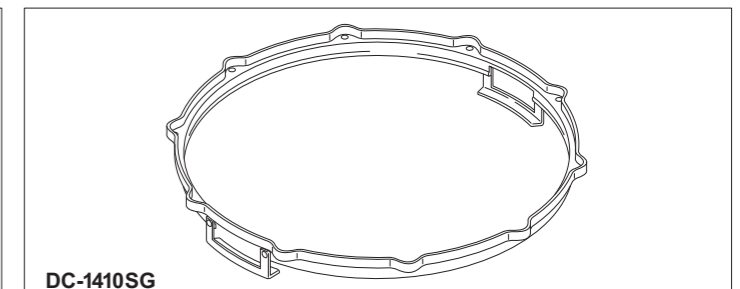
FH-1410S

Number	Dia.	Description	Number	Dia.	Description
FH-0805	8"	5 rod	FH-1408	14"	8 rod
FH-1006	10"	6 rod	FH-1410	14"	10 rod
FH-1206	12"	6 rod	FH-1410S	14"	10 rod, snare side
FH-1306	13"	6 rod	FH-1508	15"	8 rod
FH-1308	13"	8 rod	FH-1608	16"	8 rod
FH-1308S	13"	8 rod, snare side	FH-1808	18"	8 rod

## Die-Cast Hoops



DC-1410



DC-1410SG

Number	Dia.	Description	Number	Dia.	Description
DC-0805	8"	5 rod	DC-1408	14"	8 rod
DC-1006	10"	6 rod	DC-1408S	14"	8 rod, snare side
DC-1206	12"	6 rod	DC-1410	14"	10 rod
DC-1306	13"	6 rod	DC-1410S	14"	10 rod, snare side
DC-1308	13"	8 rod	DC-1410SG	14"	10 rod, snare side w/guard
DC-1308S	13"	8 rod, snare side	DC-1508	15"	8 rod

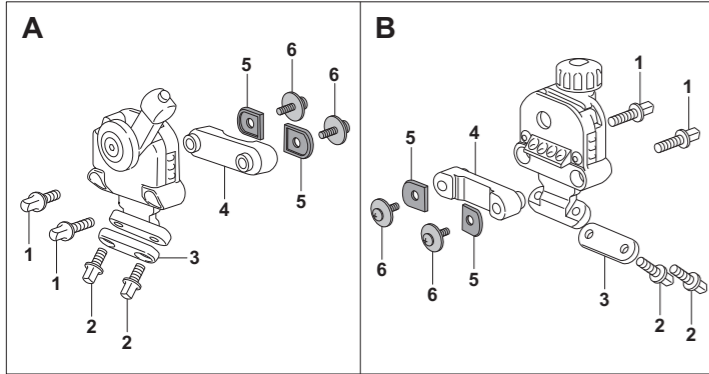
Number	Dia.	Description
DC-1508	15"	8 rod
DC-1608	16"	8 rod
DC-1808	18"	8 rod

## Bass Drum Hoops / Hoop Protector

Number	Dia.	Application	Number	Dia.	Application	Number	Dia.	Application	Number	Dia.	Application	Number	Dia.	Application
RIM18W	18"	RF / RFP / Masters	SSCRIM18	18"	SSC	RIM20CRB	20"	CRB	EXL20HP-B	20"	EXL	HPP-2		Metal Hoop Protector
RIM20W	20"	RF / RFP / Masters	SSCRIM20	20"	SSC	RIM22CRB	22"	CRB	EXL22HP-B	22"	EXL	NP-347N		Non-Slip Hoop Protector
RIM22W	22"	RF / RFP / Masters	SSCRIM22	22"	SSC	RIM24CRB	24"	CRB	EXL24HP-B	24"	EXL			
RIM24W	24"	RF / RFP / Masters	SSCRIM24	24"	SSC	DMP20HP-B	20"	DMP	EXX20HP-B	20"	EXX			
MCTRIM18	18"	MCT	FWRIM18	18"	FW	DMP22HP-B	22"	DMP	EXX22HP-B	22"	EXX			
MCTRIM20	20"	MCT	FWRIM20	20"	FW	DMP24HP-B	24"	DMP	EXX24HP-B	24"	EXX			
MCTRIM22	22"	MCT	FWRIM22	22"	FW				MDT16HP-B	16"	MDT (batter side)			
MCTRIM24	24"	MCT	FWRIM24	24"	FW				MDT16HP-F	16"	MDT (front side)			

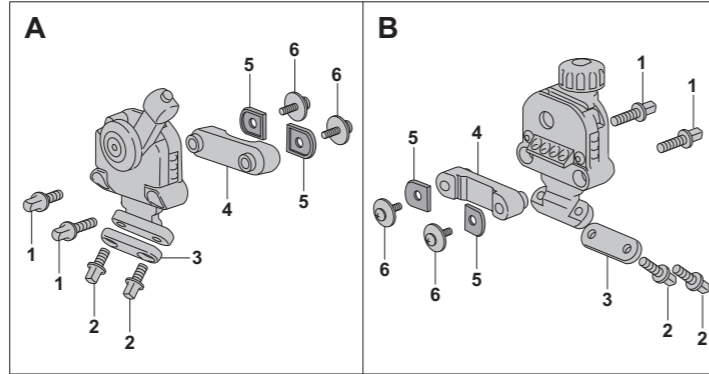
# STRAINERS

## SR-1000



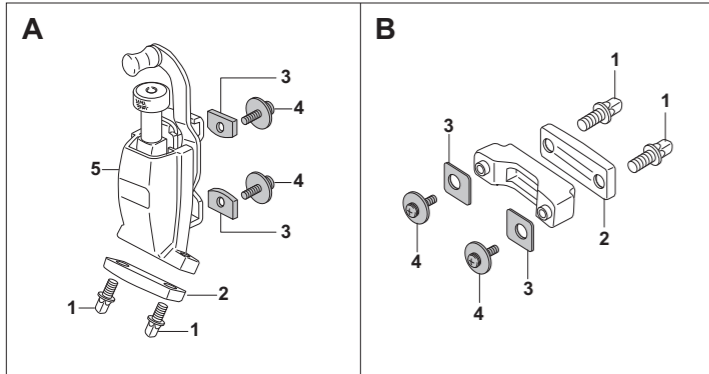
- |   |   |
|---|---|
| <b>A SR-1000A Release Side Assy. Complete</b>           | <b>B SR-1000E Butt Side Assy. Complete</b>              |
| 1 KB-615 Key Bolt (one each)                            | 1 KB-615 Key Bolt (one each)                            |
| 2 KB-510 Key Bolt (one each)                            | 2 KB-510 Key Bolt (one each)                            |
| 3 DC-684 Snare Mounting Plate                           | 3 DC-684 Snare Mounting Plate                           |
| 4 DC-685 Snare Setting Plate                            | 4 DC-685 Snare Setting Plate                            |
| 5 NP-432P Rubber Gasket (one each)                      | 5 NP-432P Rubber Gasket (one each)                      |
| 6 SM-409 Mounting Screw w/Washer (Metal shell-one each) | 6 SM-409 Mounting Screw w/Washer (Metal shell-one each) |
| SM-430B Mounting Screw w/Washer (20 ply-one each)       | SM-430B Mounting Screw w/Washer (20 ply-one each)       |

## SR-1000/B (Black Chrome)



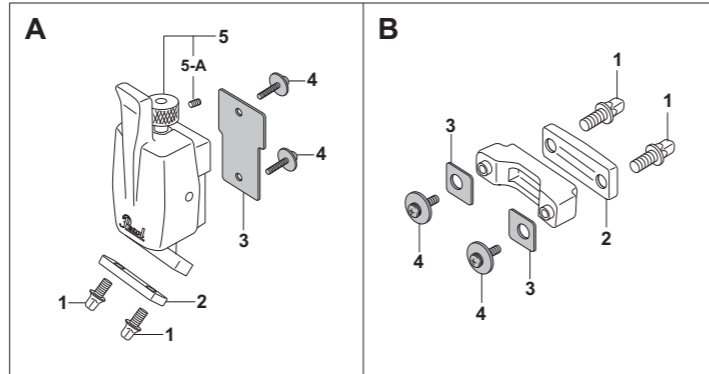
- |   |   |
|---|---|
| <b>A SR-1000A/B Release Side Assy. Complete</b>         | <b>B SR-1000E/B Butt Side Assy. Complete</b>            |
| 1 KB-615B Key Bolt (one each)                           | 1 KB-615B Key Bolt (one each)                           |
| 2 KB-510B Key Bolt (one each)                           | 2 KB-510B Key Bolt (one each)                           |
| 3 DC-684B Snare Mounting Plate                          | 3 DC-684B Snare Mounting Plate                          |
| 4 DC-685B Snare Setting Plate                           | 4 DC-685B Snare Setting Plate                           |
| 5 NP-432P Rubber Gasket (one each)                      | 5 NP-432P Rubber Gasket (one each)                      |
| 6 SM-409 Mounting Screw w/Washer (Metal shell-one each) | 6 SM-409 Mounting Screw w/Washer (Metal shell-one each) |

## SR-017



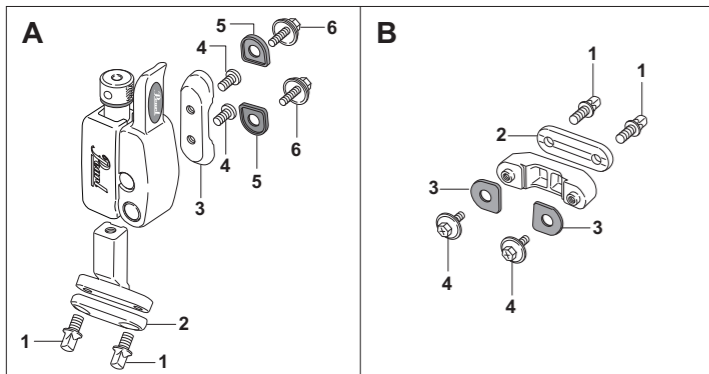
- |   |  |
|---|--|
| <b>A SR-17A Release Side Assy. Complete</b>           | <b>B SR-18E Butt Side Assy. Complete</b>               |
| 1 KB-510 Key Bolt (one each)                          | 1 KB-510 Key Bolt (one each)                           |
| 2 SR-12D Snare Mounting Plate                         | 2 SR-12D Snare Mounting Plate                          |
| 3 NP-249P Rubber Gasket (one each)                    | 3 NP-251P Rubber Gasket (one each)                     |
| 4 SM-514B Mounting Screw w/Washer (6 ply-one each)    | 4 SM-414B Mounting Screw w/Washer (6 ply-one each)     |
| SM-520B Mounting Screw w/Washer (10 ply-one each)     | SM-420B Mounting Screw w/Washer (10 ply-one each)      |
| SM-507 Mounting Screw w/Washer (Metal shell-one each) | SM-411C Mounting Screw w/Washer (Metal shell-one each) |
| 5 DC-440 Strainer Cover                               |  |

## SR-015



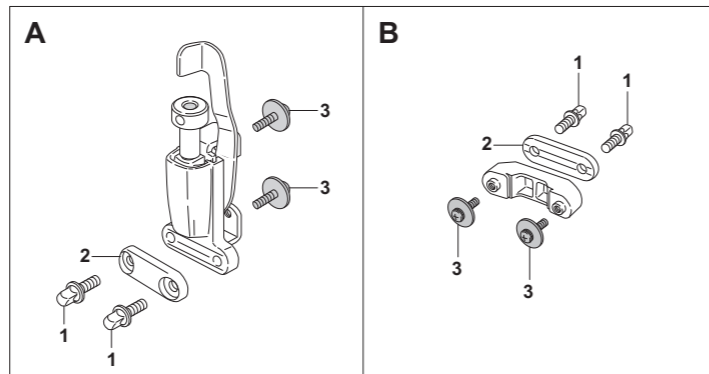
- |   |  |
|---|--|
| <b>A SR-15A Release Side Assy. Complete</b>           | <b>B SR-18E Butt Side Assy. Complete</b>               |
| 1 KB-510 Key Bolt (one each)                          | 1 KB-510 Key Bolt (one each)                           |
| 2 SR-12D Snare Mounting Plate                         | 2 SR-12D Snare Mounting Plate                          |
| 3 NP-248P Rubber Gasket                               | 3 GK-18SB Gasket (one each)                            |
| 4 SM-414B Mounting Screw w/Washer (4 ply-one each)    | 4 SM-411B Mounting Screw w/Washer (4 ply-one each)     |
| SM-416B Mounting Screw w/Washer (6 ply-one each)      | SM-414B Mounting Screw w/Washer (6 ply-one each)       |
| SM-418B Mounting Screw w/Washer (8 ply-one each)      | SM-416B Mounting Screw w/Washer (8 ply-one each)       |
| SM-409 Mounting Screw w/Washer (Metal shell-one each) | SM-411C Mounting Screw w/Washer (Metal shell-one each) |
| 5 ME-376A Adjustment Bolt, Complete                   |  |
| 5-A SB-44 Allen Screw                                 |  |

## SR-900



- |  |  |
|--|--|
| <b>A SR-900A Release Side Assy. Complete</b>             | <b>B SR-900B Butt Side Assy. Complete</b>                |
| 1 KB-510 Key Bolt (one each)                             | 1 KB-510 Key Bolt (one each)                             |
| 2 ZD-012 Snare Mounting Plate                            | 2 ZD-012 Snare Mounting Plate                            |
| 3 ZD-006 Snare Setting Plate                             | 3 PL-013 Rubber Gasket (one each)                        |
| 4 SC-391 Screw (one each)                                | 4 SM-408C Mounting Screw w/Washer (Metal shell-one each) |
| 5 PL-013 Rubber Gasket (one each)                        | SM-411B Mounting Screw w/Washer (Wood shell-one each)    |
| 6 SM-408C Mounting Screw w/Washer (Metal shell-one each) |  |
| SM-411B Mounting Screw w/Washer (Wood shell-one each)    |  |

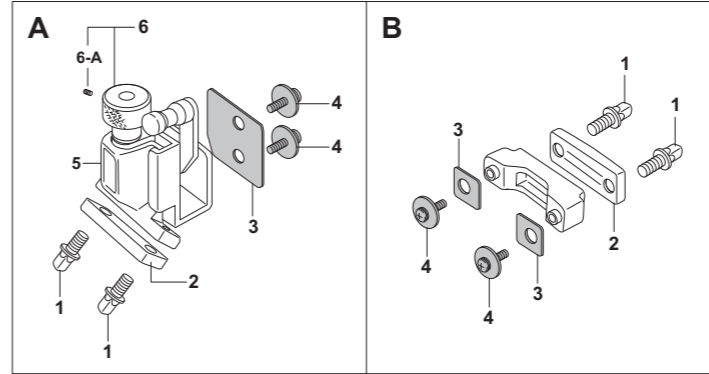
## SR-700



- |  |  |
|--|--|
| <b>A SR-700A Release Side Assy. Complete</b> | <b>B SR-700B Butt Side Assy. Complete</b>    |
| 1 KB-510 Key Bolt (one each)                 | 1 KB-510 Key Bolt (one each)                 |
| 2 ZD-012 Snare Mounting Plate                | 2 ZD-012 Snare Mounting Plate                |
| 3 SM-414B Mounting Screw w/Washer (one each) | 3 SM-411B Mounting Screw w/Washer (one each) |

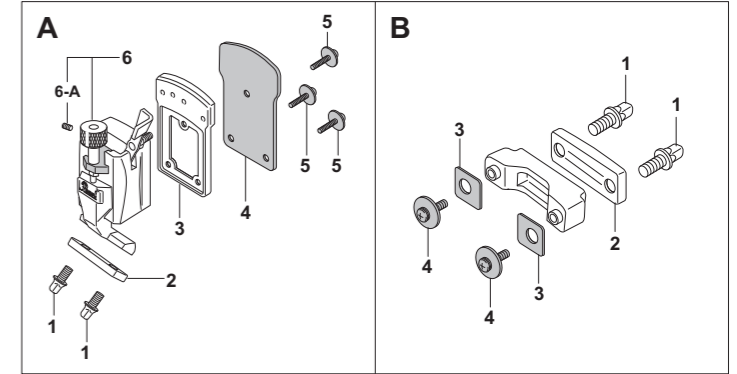
# STRAINERS

## SR-018



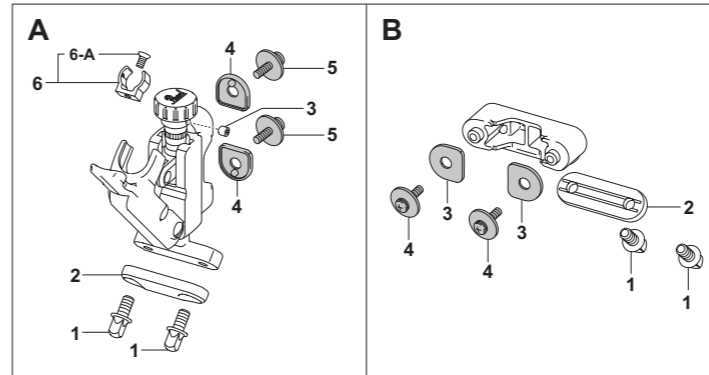
- |  |  |
|--|--|
| <b>A SR-18A Release Side Assy. Complete</b>            | <b>B SR-18E Butt Side Assy. Complete</b>               |
| 1 KB-508 Key Bolt (one each)                           | 1 KB-510 Key Bolt (one each)                           |
| 2 SR-12D Snare Mounting Plate                          | 2 SR-12D Snare Mounting Plate                          |
| 3 NP-250P Rubber Gasket                                | 3 NP-251P Rubber Gasket (one each)                     |
| 4 SM-414B Mounting Screw w/Washer (6 ply-one each)     | 4 SM-414B Mounting Screw w/Washer (6 ply-one each)     |
| SM-416B Mounting Screw w/Washer (8 ply-one each)       | SM-416B Mounting Screw w/Washer (8 ply-one each)       |
| SM-411C Mounting Screw w/Washer (Metal shell-one each) | SM-411C Mounting Screw w/Washer (Metal shell-one each) |
| 5 DC-458 Strainer Cover                                |  |
| 6 ME-454A Adjustment Bolt, Complete                    |  |
| 6-A SB-44 Allen Screw                                  |  |

## SR-020/N (Nickel Finish)



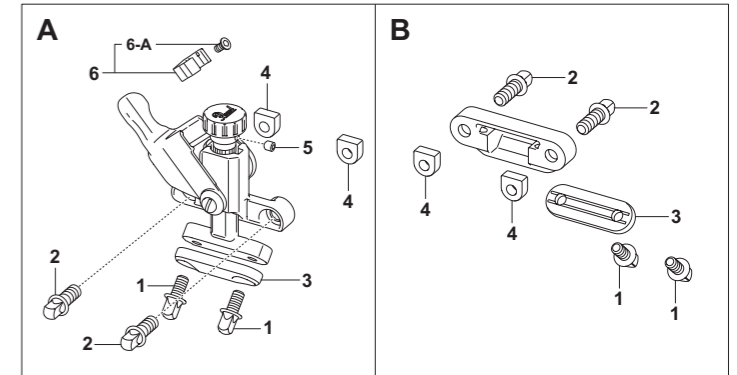
- |   |  |
|---|--|
| <b>A SR-20A/N Release Side Assy. Complete</b> | <b>B SR-18E/N Butt Side Assy. Complete</b>   |
| 1 KB-510 Key Bolt (one each)                  | 1 KB-510 Key Bolt (one each)                 |
| 2 SR-12D/N Snare Mounting Plate               | 2 SR-12D/N Snare Mounting Plate              |
| 3 DC-408/N Trace Plate                        | 3 NP-251P Rubber Gasket (one each)           |
| 4 NP-328P Rubber Gasket                       | 4 SM-409B Mounting Screw w/Washer (one each) |
| 5 SM-416B Mounting Screw w/Washer (one each)  |  |
| 6 ME-226AC Adjustment Bolt, Complete          |  |
| 6-A SB-44 Allen Screw                         |  |

## SR-150



- |  |  |
|--|--|
| <b>A SR-150A Release Side Assy. Complete</b>           | <b>B SR-150E Butt Side Assy. Complete</b>              |
| 1 KB-510 Key Bolt (one each)                           | 1 KB-510 Key Bolt (one each)                           |
| 2 DC-684 Snare Mounting Plate                          | 2 DC-684 Snare Mounting Plate                          |
| 3 SB-44 Allen Screw                                    | 3 NP-522 Rubber Gasket (one each)                      |
| 4 NP-522 Rubber Gasket (one each)                      | 4 SM-411B Mounting Screw w/Washer (4 ply-one each)     |
| 5 SM-512B Mounting Screw w/Washer (4 ply-one each)     | SM-411B Mounting Screw w/Washer (Thin 6 ply-one each)  |
| SM-512B Mounting Screw w/Washer (Thin 6 ply-one each)  | SM-411C Mounting Screw w/Washer (Metal shell-one each) |
| SC-145N Mounting Screw w/Washer (Metal shell-one each) |  |
| 6 NP-521A Lock Clip Assy.                              |  |
| 6-A SC-327S Flat Head Screw                            |  |

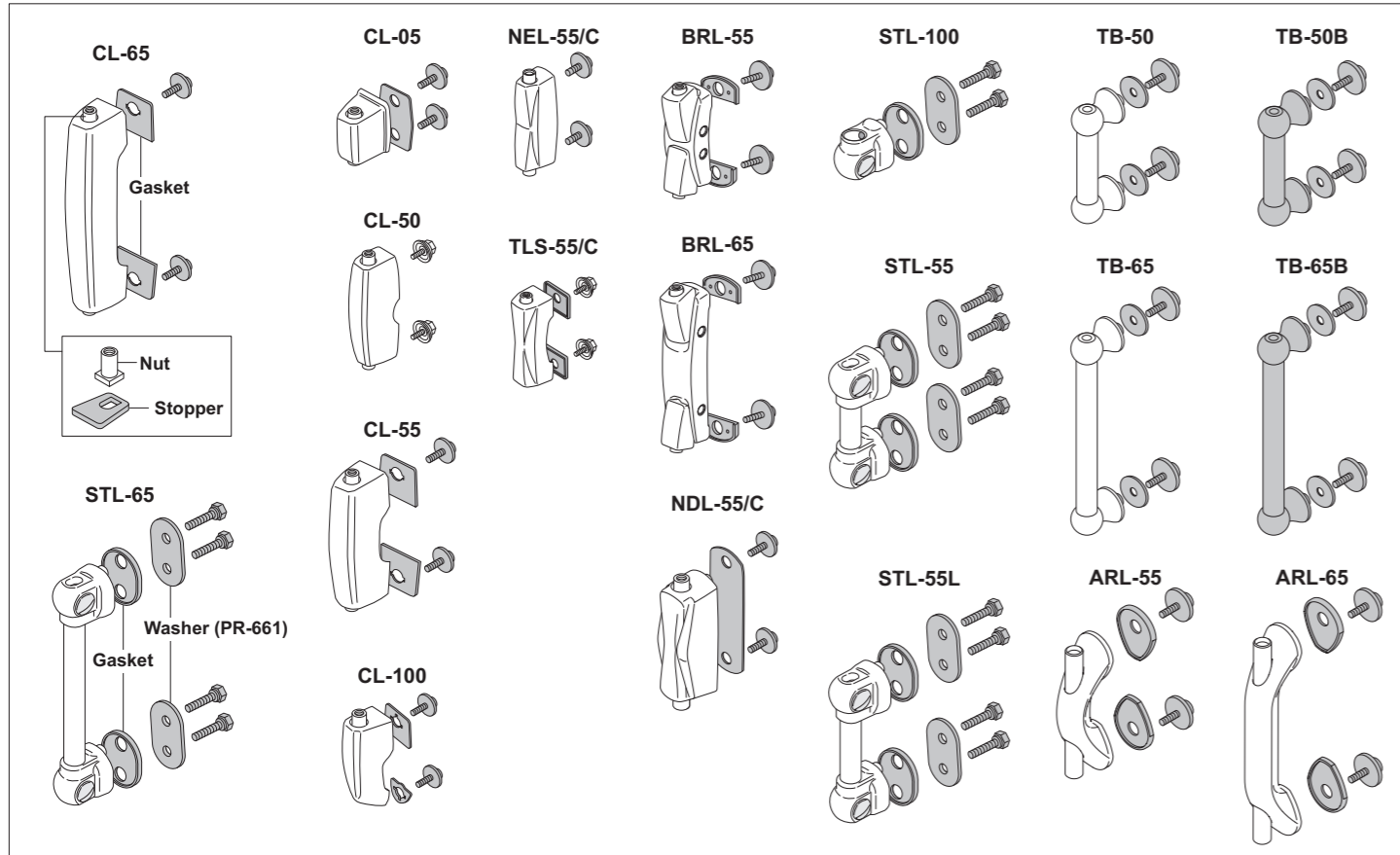
## SR-160F



- |   |  |
|---|--|
| <b>A SR-160FA Release Side Assy. Complete</b> | <b>B SR-160FE Butt Side Assy. Complete</b> |
| 1 KB-510 Key Bolt (one each)                  | 1 KB-510 Key Bolt (one each)               |
| 2 SC-477 Key Bolt (one each)                  | 2 SC-477 Key Bolt (one each)               |
| 3 DC-684 Snare Mounting Plate                 | 3 DC-684 Snare Mounting Plate              |
| 4 ME-675 D-Nut (one each)                     | 4 ME-675 D-Nut (one each)                  |
| 5 SB-44 Allen Screw                           |  |
| 6 NP-521A Lock Clip Assy.                     |  |
| 6-A SC-327S Flat Head Screw                   |  |

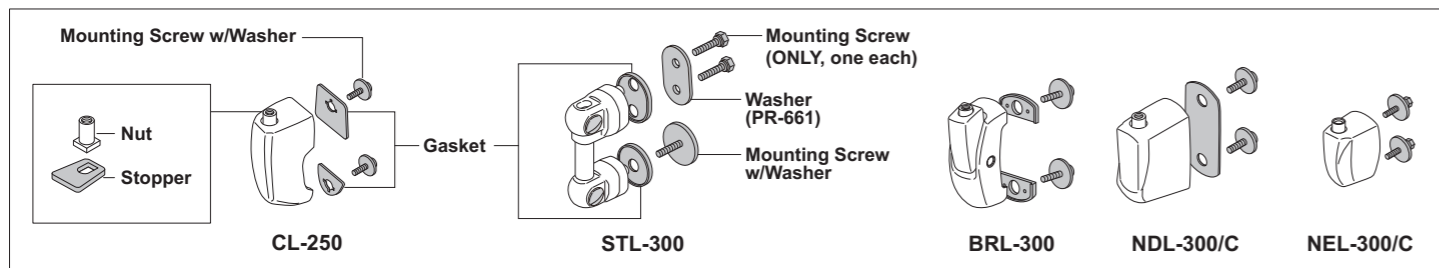


## Lugs for Snare Drum



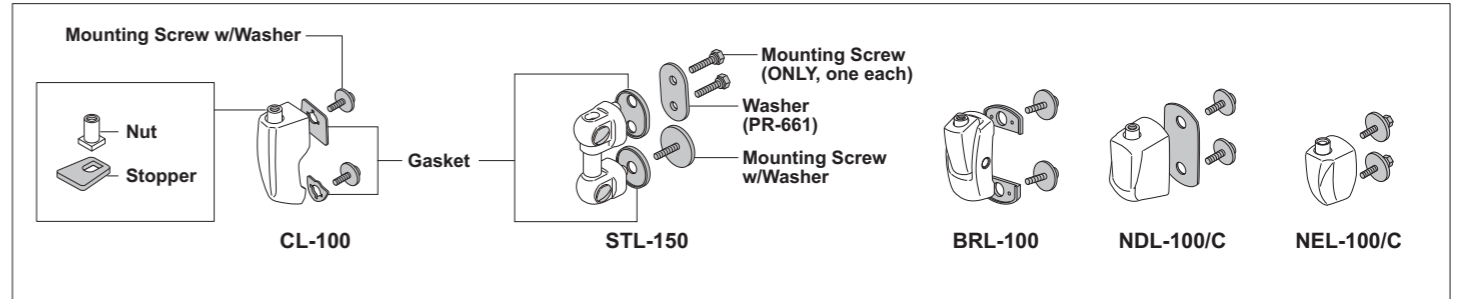
Number	Nut	Stopper	Gasket	Screw					Application	
				METAL	4PLY	6PLY	6PLY,Thin	8PLY		20PLY
CL-05	ME-256US	NP-135N	NP-257P	SM-411C	---	SM-414B	---	---	---	M1330, B1330, S1330B
CL-50	DC-6FE	NP-135N	---	SM-411C	---	---	---	SM-416B	---	FCP, FCS
CL-55	DC-6US	NP-135N	NP-240P	SM-411C	SM-411B	SM-414B	---	---	---	5.5" Deep MCT, SSC, OH1350
CL-65	DC-6US	NP-135N	NP-240P	SM-411C	SM-411B	SM-414B	---	---	---	6.5" Deep MCT, SSC, JJ1365N, M1060
CL-100	DC-6US	NP-135N	NP-240P (Large) NP-241P (Small)	SM-411C	SM-411B	SM-414B	---	SM-416B	---	M1270
BRL-55	DC-6RS	NP-408	NP-410P	SM-411C	---	---	---	---	SM-432B	5" Deep RF, RFB, RFS
BRL-65	DC-6RS	NP-408	NP-410P	SM-411C	---	---	---	---	SM-432B	6.5" Deep RF, RFB, RFS
STL-100	---	---	NP-444P	SC-400R	---	SC-399R	---	---	---	Hybrid Exotic, DC1450S/N
STL-55	---	---	NP-444P	---	SC-400R	SC-399R	---	---	---	5.5" Deep MRV
STL-55L	---	---	NP-444P	---	---	SC-400R	---	---	---	5" Deep RFP
STL-65	---	---	NP-444P	---	SC-400R	SC-399R	SC-400R	---	---	6.5" Deep RFP, MRV
TB-50	---	---	NP-340P	SM-411C	---	---	---	---	---	5" Deep Sensi Tone
TB-65	---	---	NP-340P	SM-411C	---	---	---	---	---	IP1465, 6.5" Deep Sensi Tone
ARL-55	---	---	NP-524	SM-411C	SM-411B	---	SM-411B	---	---	5" Deep Sensi Tone Premium
ARL-65	---	---	NP-524	SM-411C	---	SM-411B	---	---	---	6.5" Deep Sensi Tone Premium
TLS-55/C	DC-6FE	PL-16	PL-19F	SM-408C	---	SM-411B	---	---	---	SS1455S
NDL-55/C	DC-6FE	PL-043	PL-060	---	---	SM-411B	---	---	---	DMP
NEL-55/C	DC-6FE	PL-043	---	---	---	SM-411B	---	---	---	EXL, EXX, MDT

## Lugs for Bass Drum



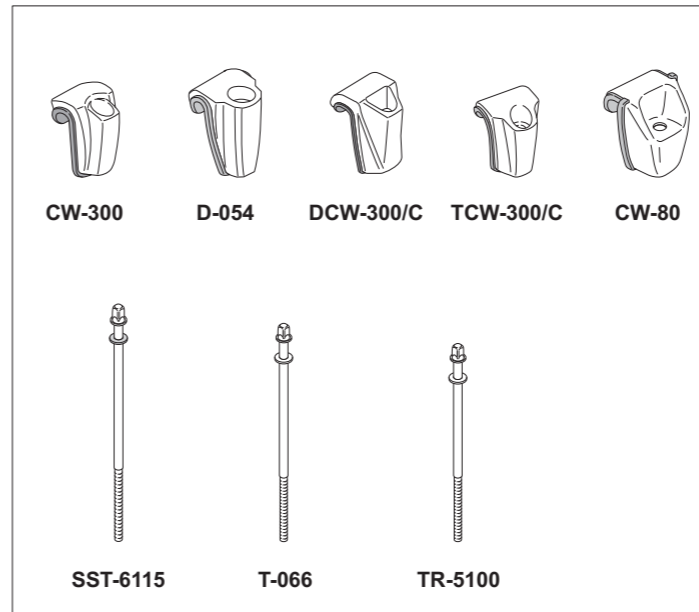
Number	Nut	Stopper	Gasket	Screw					Application
				4PLY	6PLY	6PLY, Thin	8PLY	8PLY, Thin	
STL-300	---	---	NP-444P (Large) NP-497 (Small)	---	---	SC-404R	---	SC-414R SM-420B	RFP
BRL-300	DC-5US	NP-408N	NP-408P	---	SM-414B	---	SM-416B	---	RF
CL-250	DC-5US	NP-225	NP-262P (Large) NP-263P (Small)	SM-411B	---	SM-411B	---	---	MRV, MCT
NDL-300/C	DC-6FE	PL-044	PL-061	---	---	SM-411B	---	---	DMP
NEL-300/C	DC-6FE	PL-044	---	---	SM-411B	---	---	---	EXL, EXX, MDT

## Lugs for Tom Toms



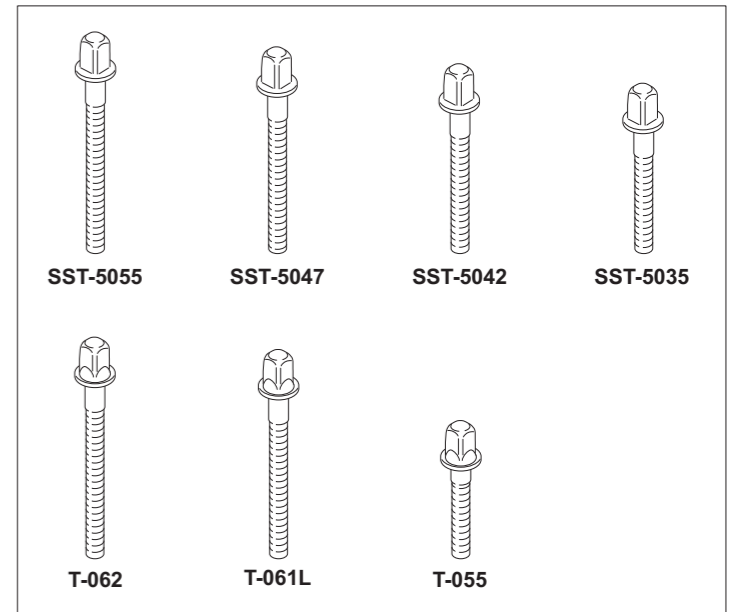
Number	Nut	Stopper	Gasket	Screw					Application
				4PLY	6PLY	6PLY, Thin	8PLY	8PLY, Thin	
STL-150	---	---	NP-444P (Large) NP-497 (Small)	---	---	SC-404R SM-418B	---	SC-414R SM-420B	RFP
BRL-100	DC-6RS	NP-408N	NP-410P	---	SM-414B	---	SM-416B	---	RF
CL-100	DC-6US	NP-135N	NP-240P (Large) NP-241P (Large)	SM-411B	SM-414B	SM-411B	---	---	MRV, MCT
NDL-100/C	DC-6FE	PL-043	PL-059	---	---	SM-411B	---	---	DMP
NEL-100/C	DC-6FE	PL-043	---	---	SM-411B	---	---	---	EXL, EXX, MDT

## Bass Drum Tension Claws & Bolts



Number	Application
CW-300	RF, RFP, MRV
D-054	MCT, SSC, FW
DCW-300/C	DMP
TCW-300/C	EXL, EXX
CW-80	MDT
SST-6115	M6 x 115mm for RF, RFP, MRV
T-066	M6 x 115mm for MCT, SSC, FW
TR-5100	W7/32 x 100mm for DMP, EXL, EXX, MDT

## Tension Key Rods



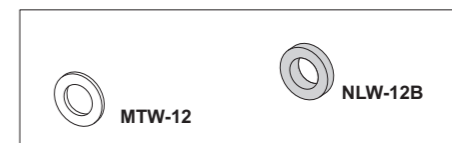
Number	Dia X Length	Application
SST-5055	W7/32 x 55mm	5.5" Deep MRV Snare Drums
SST-5047	W7/32 x 47mm	RF / RFP / 6.5" Deep MRV Snare Drums, Sensi Tone Snare Drum, Hybrid Exotic Snare Drums (snare side ONLY), OH1350, DC1450S/N, JJ1365N, M1270, RF / RFP / MRV Toms
SST-5042	W7/32 x 42mm	5" / 6.5" / 8" Deep FFS Snare Drums, IP1465
SST-5035	W7/32 x 35mm	3.5" Deep FFS Snare Drums, M1060
T-062	W7/32 x 52mm	5.5" Deep MCT / SSC Snare Drums, FCP / FCS Snare Drums
T-061L	W7/32 x 47mm	6.5" Deep MCT / SSC Snare Drums, MCT / SSC / FW Toms
T-055	W7/32 x 28mm	3" Deep Piccolo Snare Drums
TR-5052	W7/32 x 52mm	DMP / EXL / EXX / MDT Snare Drums
TR-5047	W7/32 x 47mm	DMP / EXL / EXX / MDT Toms

## IP1465 Parts



Number	Description
NP-104	Rubber O Ring
NP-270	Fiber Washer

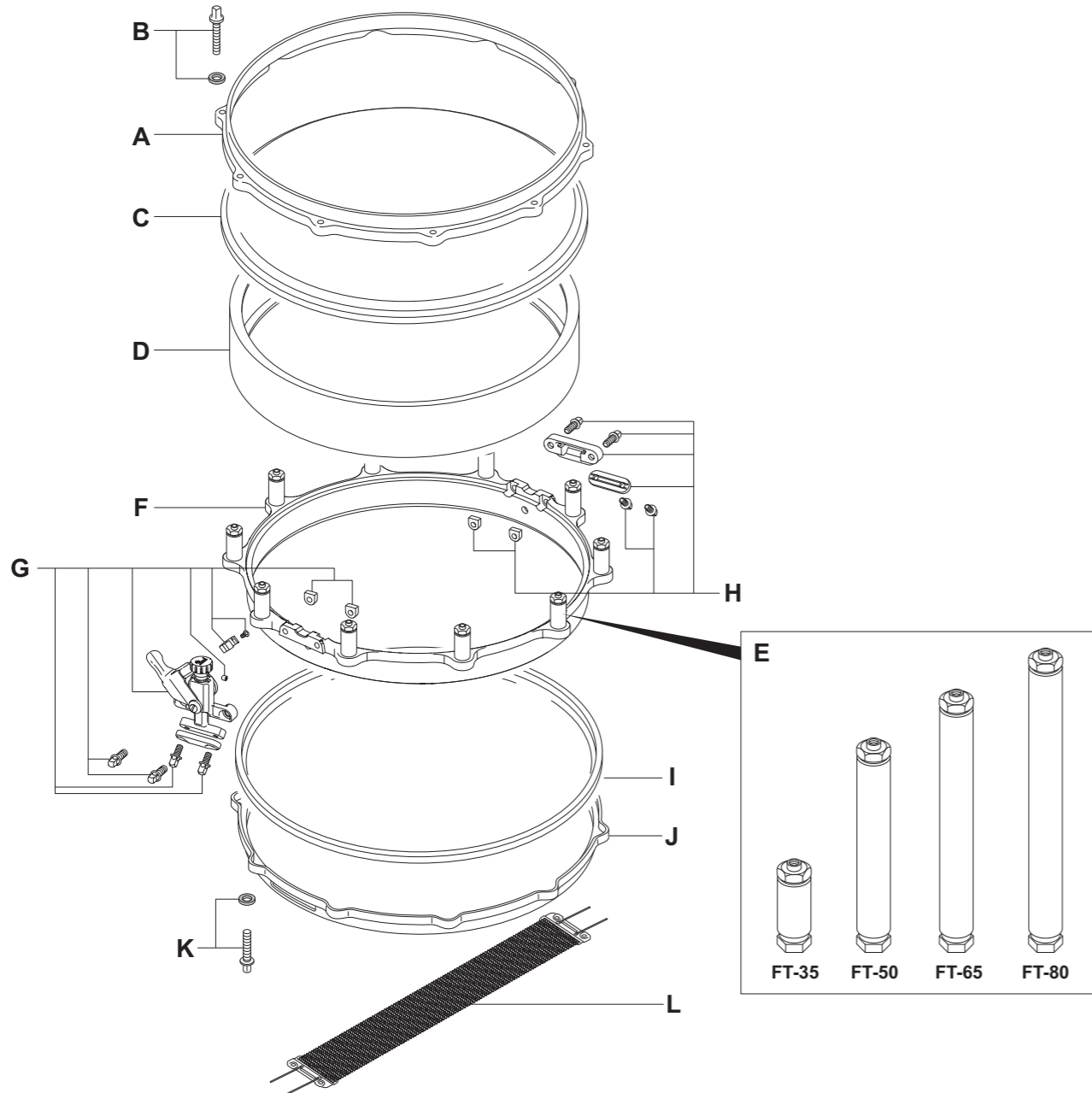
## Washers for Tension Key Rods



Number	Description
NLW-12B	Nylon Washer
MTW-12	Metal Washer

# F.F.S. SNARE DRUM

## Free Floating System Snare Drum

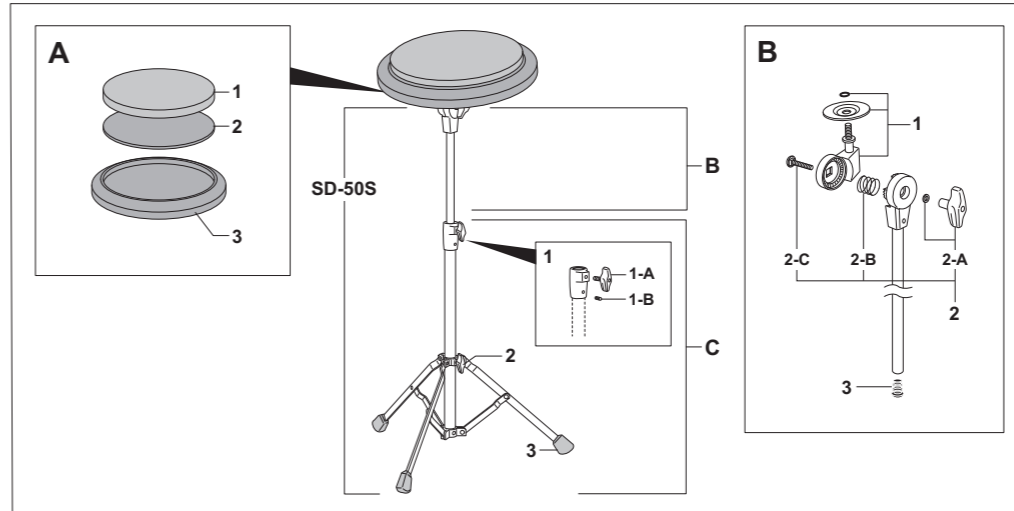


### Free Floating System Snare Drum

A	DC-1410	Die-Cast Hoop for Batter Side	F	ARC-1410	Aluminum Ring Chassis ONLY
B	SST-5035	Tension Key Rod w/Washer for 3.5" Deep SD (one each)	G	SR-160FA	Release Side Assy. Complete
	SST-5042	Tension Key Rod w/Washer for 5" & 6.5" Deep SD (one each)	H	SR-160E	Butt Side Assy. Complete
C		Head for Batter Side	I		Head for Snare Side
D		Shell	J	DC-1410S	Die-Cast Hoop for Snare Side
E	FT-35	Lug Post for 3.5" Deep SD	K	SST-5035	Tension Key Rod w/Washer for 3.5" Deep SD (one each)
	FT-50	Lug Post for 5" Deep SD		SST-5042	Tension Key Rod w/Washer for 5" & 6.5" Deep SD (one each)
	FT-65	Lug Post for 6.5" Deep SD	L	SN-1420I	Ultra Sound Snare Wire "I" Type
	FT-80	Lug Post for 8" Deep SD			

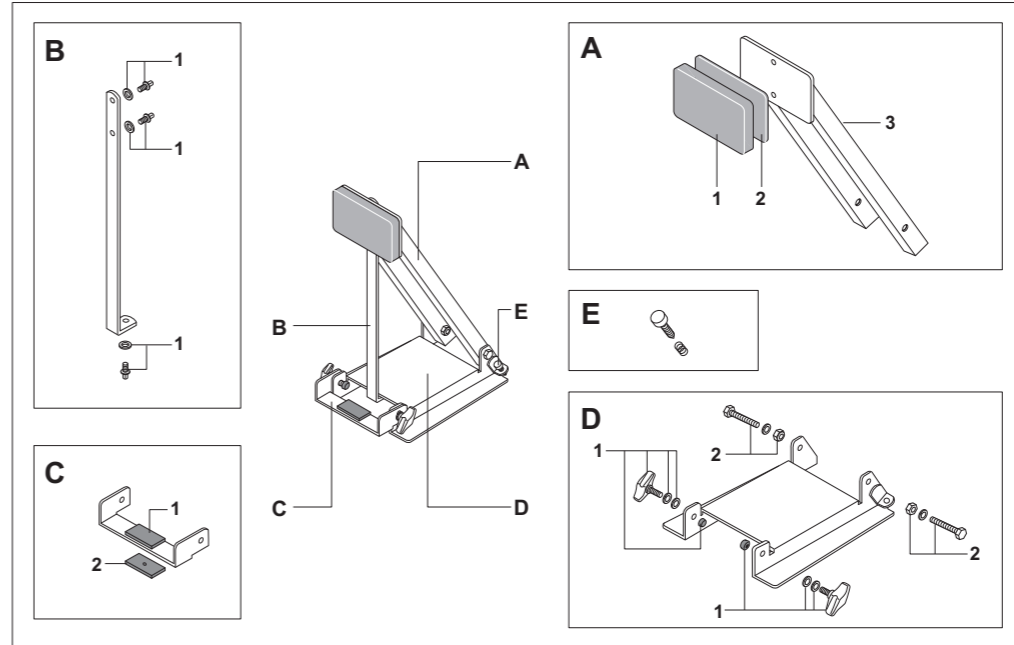
# PRACTICE PADS

## SD-50



<b>A</b>	<b>PAD-80</b>	<b>Practice Pad Complete</b>
1	NP-202	Rubber Pad
2	NP-202N	Rubber Cushion
3	NP-203	Base
	<b>SD-50S</b>	<b>Stand ONLY for SD-50</b>
<b>B</b>	<b>UT-SD50</b>	<b>Upper Tube Assy. Complete</b>
1	ZD-072SDA	Tilter w/Washer & O-Ring
2	SN-70A	Bolt & Nut Set w/Spring
2-A	UGN-8	Die-Cast Wing Nut w/Washer
2-B	SG-001	Spring
2-C	SC-36B-ED	Clamp Bolt
3	NP-212	Plastic End Cap
<b>C</b>	<b>BA-SD50</b>	<b>Base Assy. Complete</b>
1	PJ-45	Die-Cast Joint Assy. Complete
1-A	UGB-815S	Die-Cast Wing Bolt
1-B	SB-44	Allen Screw
2	UGB-820C	Die-Cast Wing Bolt
3	NP-12P	Rubber Tip (one each)

## BD-10



<b>A</b>	<b>DP-10</b>	<b>Pad Assy. Complete</b>
1	NP-201	Rubber Pad
2	NP-201N	Rubber Cushion
3	DP-10B	Base
<b>B</b>	<b>BSB-10</b>	<b>Supporting Bar Assy. Complete</b>
1	KB-610W	Key Bolt w/Washer (one set)
<b>C</b>	<b>CP-10</b>	<b>Clamp Plate Complete</b>
1	NP-140	Rubber Protector
2	NP-518	Rubber Protector
<b>D</b>	<b>BFP-10</b>	<b>Floor Plate Assy. Complete</b>
1	UGB-620WCP	Die-Cast Wing Bolt w/Washers & Cap (one set)
2	SC-144A	Mounting Screw w/Washer & Nut (one set)
<b>E</b>	<b>LT-626</b>	<b>Anchor Screw w/Spring</b>