

Pearl

Concert and Marching Percussion Spare Parts Catalog 2017

The Pearl logo is written in a stylized, cursive script font. The word "Pearl" is written in a dark grey color, with a registered trademark symbol (®) to the upper right of the final letter. The logo is centered on the page.

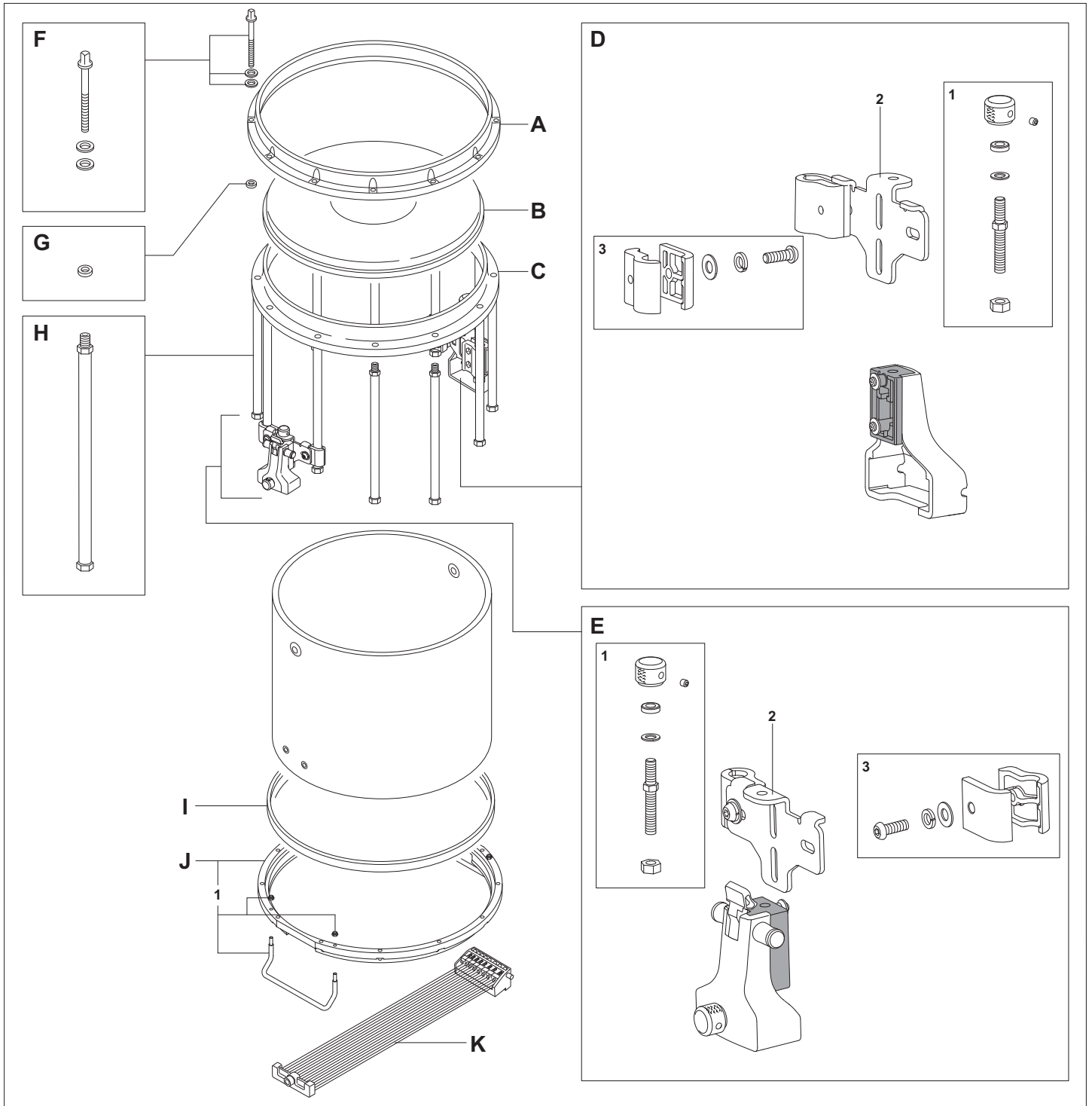
www.pearldrums.com

Products and specifications are subject to change without notice.

Nov 2017.

CHAMPIONSHIP SERIES

FFX SNARE DRUMS

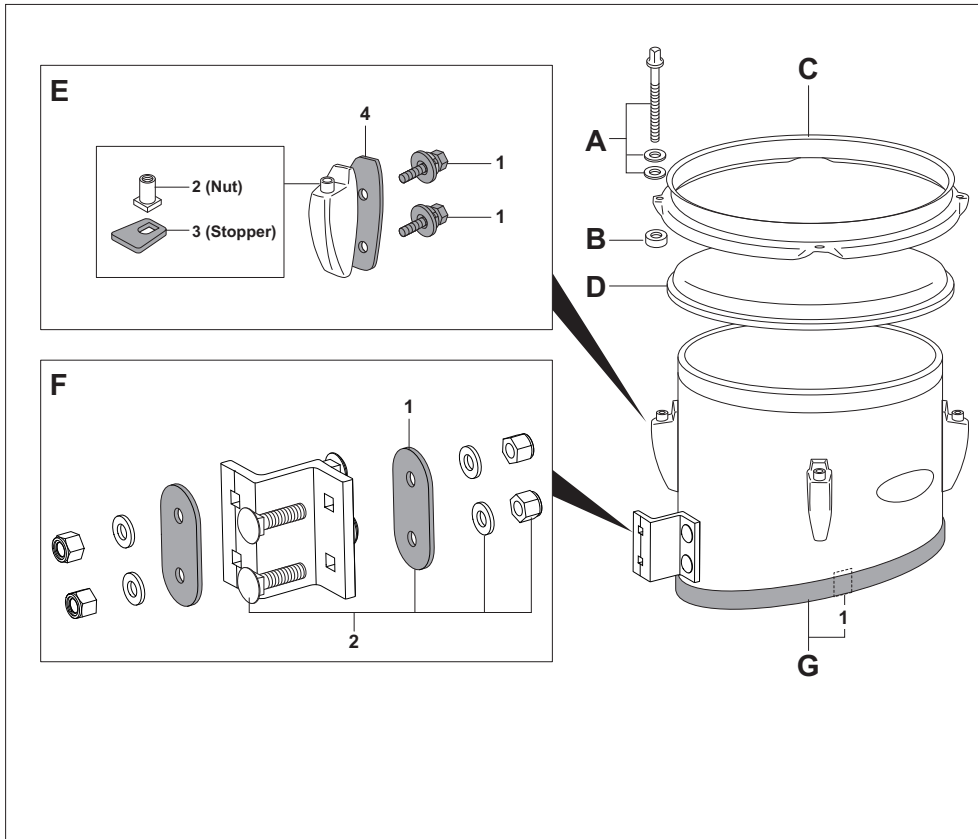


A	DA-14TN 14" Aluminum Die-Cast Hoop, Batter Side DA-13TN 13" Aluminum Die-Cast Hoop, Batter Side	E	S-21ROTRA Release Side Assy. Complete 1 ME-811A Tension Adjustment Assy. 2 PR-710 Mounting Bracket ONLY 3 DC-7667A Die-Cast Link Assy.	I	ST-14 14" Snare Side Head ST-13 13" Snare Side Head
B	CC-14 14" Drum Head, Clear w/Frosted Dot CC-13 13" Drum Head, Clear w/Frosted Dot	F	T-054 M6x54mm Tension Rod w/Washers RG-56 Rod Guard	J	DA-14BNN 14" Aluminum Die-Cast Hoop, Snare Side w/Guard DA-13BNN 13" Aluminum Die-Cast Hoop, Snare Side w/Guard
C	ER-14 14" Edge Ring ER-13 13" Edge Ring	G		1	AL-93A Bottom Snare Guard Assy. w/Hexagonal Nut
D	S-21ROTBA Butt-Side Assy. Complete 1 ME-811A Tension Adjustment Assy. 2 PR-710 Mounting Bracket ONLY 3 DC-7667A Die-Cast Link Assy.	H	TSP-102N/K Tension Post ONLY (FFX1412/A) TSP-103N/K Tension Post ONLY (FFX1311/A) TSP-1020/K Tension Post ONLY (FFX1410/A) TSP-1039/K Tension Post ONLY (FFXS1309/A)	K	GS-416AOT Synthetic Gut Snare Assy. (14") GS-316AOT Synthetic Gut Snare Assy. (13")

**E-2 and D-2:
PR-710N - new back
plate with centering
shape for 13 & 14**

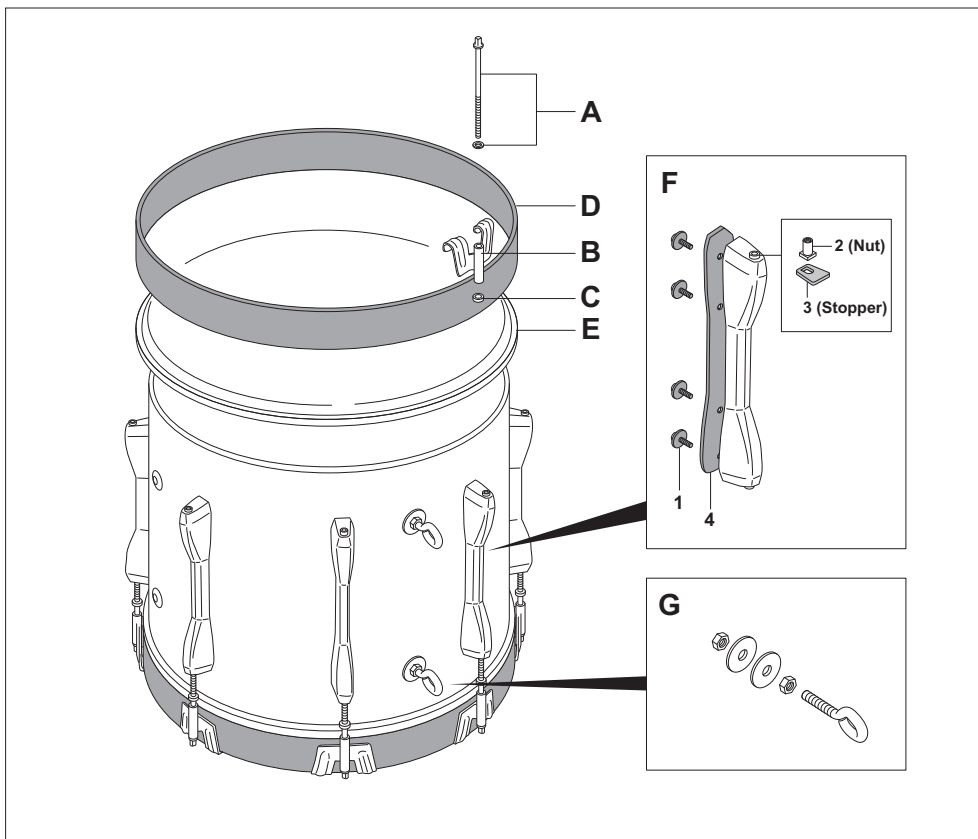
CHAMPIONSHIP SERIES

PMT TENOR DRUMS



- A T-054 M6x54mm Tension Rod w/Washers
- B RG-56 Rod Guard
- C SH-0604 6" Superhoop II (4 Tensions)
- SH-0805 8" Superhoop II (5 Tensions)
- SH-1006 10" Superhoop II (6 Tensions)
- SH-1208 12" Superhoop II (8 Tensions)
- SH-1308 13" Superhoop II (8 Tensions)
- SH-1408 14" Superhoop II (8 Tensions)
- SH-1508 15" Superhoop II (8 Tensions)
- SH-1608 16" Superhoop II (8 Tensions)
- D CT-6 6" Clear Head
- CT-8 8" Clear Head
- CT-10 10" Clear Head
- CT-12 12" Clear Head
- CT-13 13" Clear Head
- CT-14 14" Clear Head
- CT-15 15" Clear Head
- CT-16 16" Clear Head
- E C-055AL Aluminum Die-Cast Lug Complete
- C-055ALN Aluminum Die-Cast Lug Complete, w/Gasket (for Lacquered Drums)
- 1 SM-516B Mounting Screw w/Washers (one set)
- 2 DC-5FN Lug Nut
- 3 NP-81B Lug Stopper
- 4 GA-62 Gasket
- F AL-99A Tenor Spacer Set for 0234
- AL-100A Tenor Spacer Set for 8023
- 1 AL-54LB Aluminum Plate
- 2 SC-429A Carriage Bolt (M6 x 25) w/Washer & Nut (one set)
- G MTT-06 Marching Tom Trim ONLY (6")
- MTT-08 Marching Tom Trim ONLY (8")
- MTT-10 Marching Tom Trim ONLY (10")
- MTT-12 Marching Tom Trim ONLY (12")
- MTT-13 Marching Tom Trim ONLY (13")
- MTT-14 Marching Tom Trim ONLY (14")
- 1 NP-246 Trim Rubber Cap

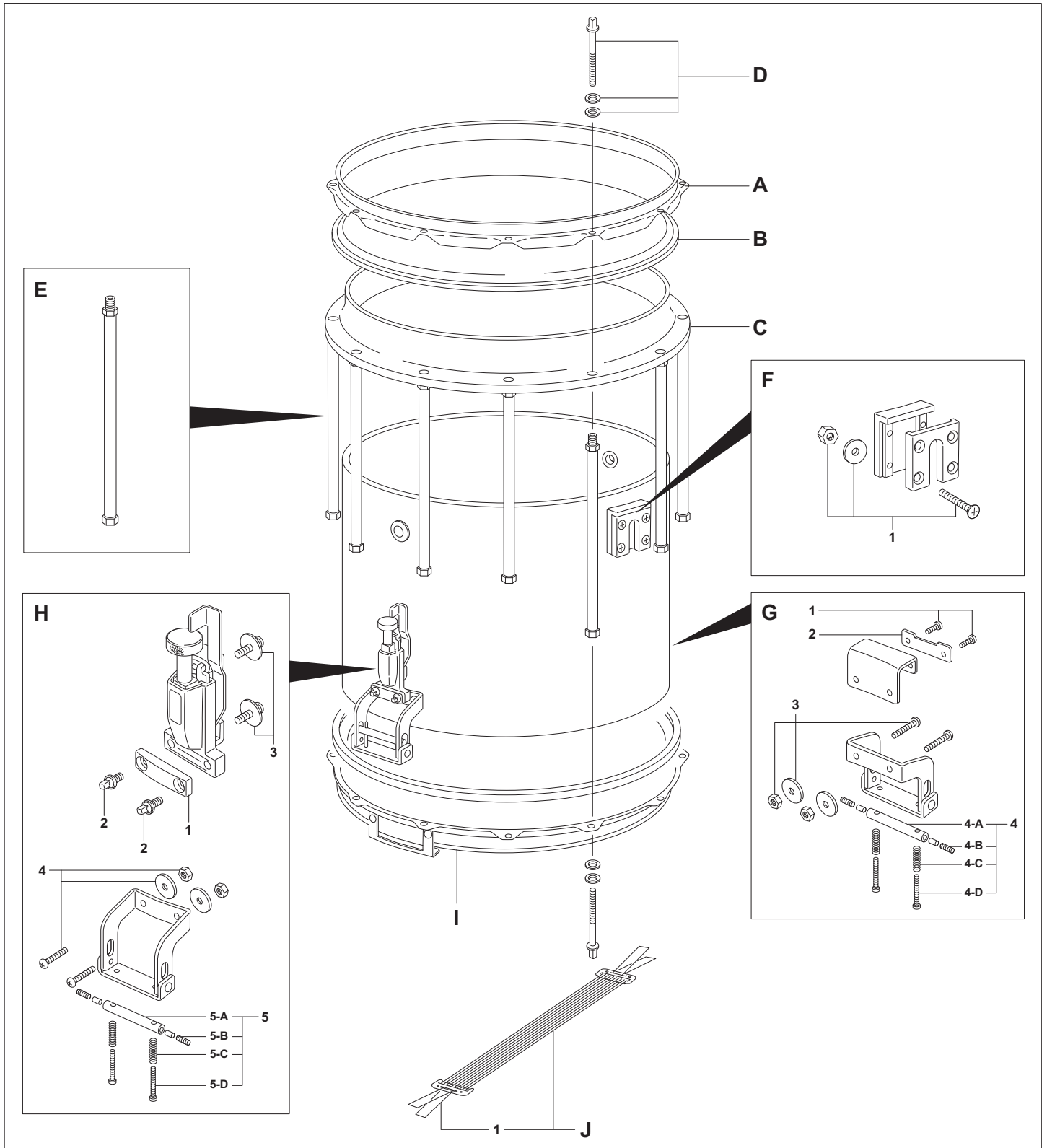
PBD BASS DRUMS



- A T-065 M6x 90mm Tension Rod w/Washer (12" Depth Bass Drum)
- T-066 M6x115mm Tension Rod w/Washer (14" Depth Bass Drum)
- T-067 M6x135mm Tension Rod w/Washer (16" Depth Bass Drum)
- B D-042 Stamped Steel Claw
- C RG-56 Rod Guard
- D RIM-14PB 14" BD Hoop, 50mm, Matte Black
- RIM-16PB 16" BD Hoop, 50mm, Matte Black
- RIM-18PB 18" BD Hoop, 50mm, Matte Black
- RIM-20PB 20" BD Hoop, 50mm, Matte Black
- RIM-22PB 22" BD Hoop, 50mm, Matte Black
- RIM-24PB 24" BD Hoop, 50mm, Matte Black
- RIM-26PB 26" BD Hoop, 50mm, Matte Black
- RIM-28PB 28" BD Hoop, 50mm, Matte Black
- RIM-30PB 30" BD Hoop, 50mm, Matte Black
- RIM-32PB 32" BD Hoop, 50mm, Matte Black
- E BR-1214PL 14" Remo Smooth White Head, w/Pearl Logo
- BR-1216PL 16" Remo Smooth White Head, w/Pearl Logo
- BR-1218PL 18" Remo Smooth White Head, w/Pearl Logo
- BR-1220PL 20" Remo Smooth White Head, w/Pearl Logo
- BR-1222PL 22" Remo Smooth White Head, w/Pearl Logo
- BR-1224PL 24" Remo Smooth White Head, w/Pearl Logo
- BR-1226PL 26" Remo Smooth White Head, w/Pearl Logo
- BR-1228PL 28" Remo Smooth White Head, w/Pearl Logo
- BR-1230PL 30" Remo Smooth White Head, w/Pearl Logo
- BR-1232PL 32" Remo Smooth White Head, w/Pearl Logo
- F C-072AL Aluminum Die-Cast Lug Complete
- C-072ALN Aluminum Die-Cast Lug Complete, w/Gasket (for Lacquered Drums)
- 1 SM-514B Mounting Screw and Washer (one set)
- 2 DC-5FN Lug Nut
- 3 NP-225 Lug Stopper
- 4 GA-63 Gasket
- G EB-2 Eye Bolt Assy. Complete

COMPETITOR SERIES

CMSX SNARE DRUMS



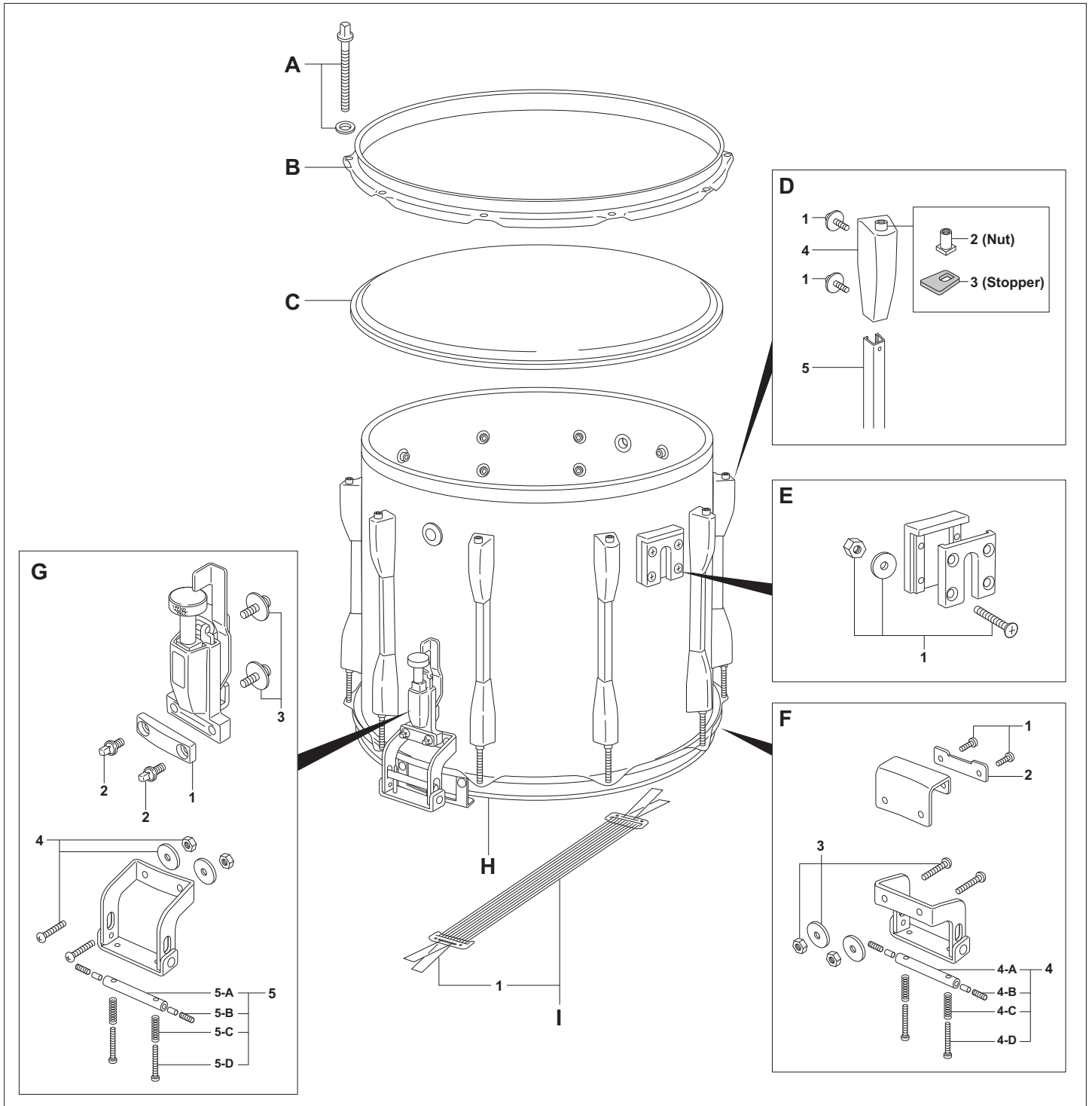
- A** SH-1412B 14" Superhoop II, 12 Tensions
SH-1310B 13" Superhoop II, 10 Tensions
- B** CC-14 14" Drum Head, Clear w/Frosted Dot
CC-13 13" Drum Head, Clear w/Frosted Dot
- C** ER-14 14" Edge Ring
ER-13 13" Edge Ring
- D** T-054 M6x54mm Tension Rod w/Washers
- E** TSP-102N/K Tension Post ONLY (CMSX1412/C)
TSP-103N/K Tension Post ONLY (CMSX1311/C)
- F** CT-1216 Clip Bracket Assy. Complete
1 SC-79A Mounting Screw w/Nut & Washer (one set)

- G** S-14MBA Butt Side Assy. Complete
- 1 SC-78 Screw (one each)
- 2 PR-185 Bridge Assy. Mounting Plate
- 3 SC-184A Bolt w/Washer (one set)
- 4 ME-237A Snare Bar Assy. Complete
- 4-A ME-237 Snare Bar ONLY
- 4-B SC-116 Allen Screw (one each)
- 4-C SP-21C Spring (one each)
- 4-D SC-186 Screw (one each)

- H** S-14MRA Throw off Assy. Complete
- 1 DC-384 Bridge Assy. Mounting Plate
- 2 KB-510 Key Bolt (one each)
- 3 SC-52A Screw w/Washer (one set)
- 4 SC-157A Screw, Washer & Nut (one set)
- 5 ME-237A Snare Bar Assy. Complete
- 5-A ME-237 Snare Bar ONLY
- 5-B SC-116 Allen Screw (one each)
- 5-C SP-21C Spring (one each)
- 5-D SC-186 Screw (one each)
- I** SH-1412SG 14" Superhoop II w/Snare Guard
SH-1310SG 13" Superhoop II w/Snare Guard
- J** GS-142 Nylon Gut Snare (14")
GS-132 Nylon Gut Snare (13")
1 SPS-18 Plastic Strap

COMPETITOR SERIES

CMS SNARE DRUMS



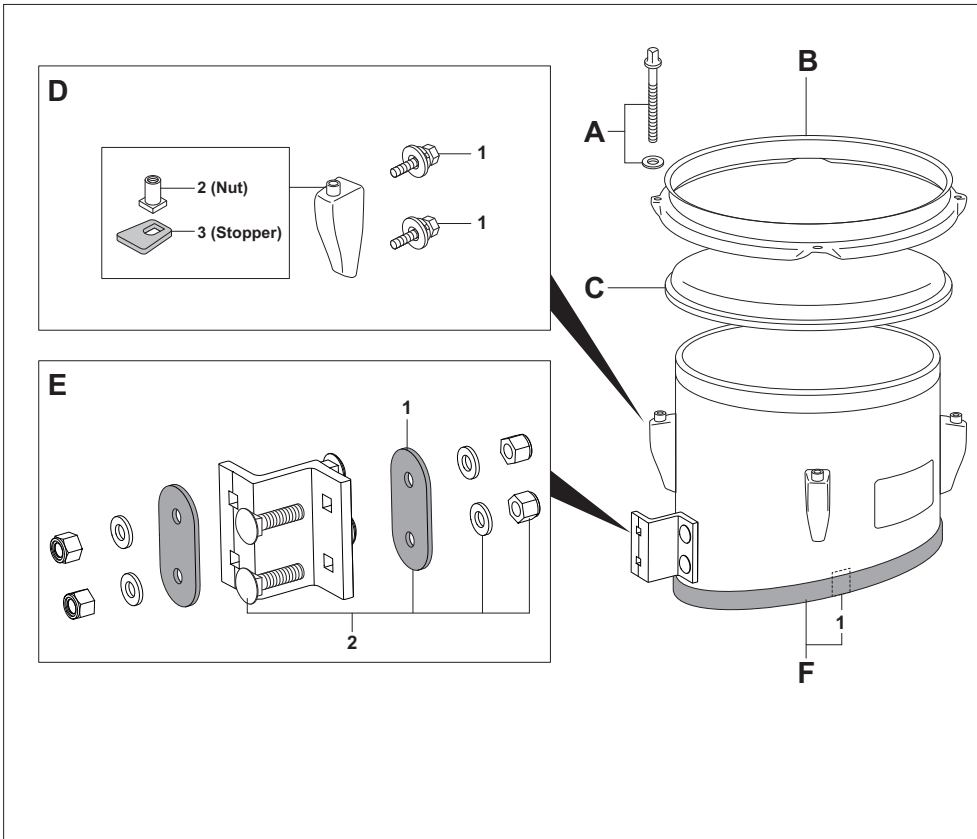
- A** T-056 w7/32x56mm Tension Rod w/Washer
- B** RIM-1410B 14" Steel Hoop, 10 Tensions
RIM-1308B 13" Steel Hoop, 8 Tensions
- C** CC-14 14" Drum Head, Clear w/Frosted Dot
CC-13 13" Drum Head, Clear w/Frosted Dot
- D** HLN-12S 3-pc Tension Lug Complete (CMS1412/C)
HLN-11S 3-pc Tension Lug Complete (CMS1311/C)
HLN-09S 3-pc Tension Lug Complete (CMS1309/C)
- 1** SM-512 Screw w/Washer (one set)
- 2** DC-6FE Lug Nut
- 3** NP-81B Lug Stopper
- 4** DC-67S Lug ONLY
- 5** PR-234B Lug Joint ONLY (CMS1412/C)
PR-226 Lug Joint ONLY (CMS1311/C)
PR-225 Lug Joint ONLY (CMS1309/C)
- E** CT-1216 Clip Bracket Assy. Complete
- 1** SC-79A Mounting Screw, Washer & Nut (one set)

- F** S-14MBA Butt Side Assy. Complete
- 1** SC-78 Screw (one each)
- 2** PR-185 Bridge Assy. Mounting Plate
- 3** SC-184A Screw, Washer & Nut (one set)
- 4** ME-237A Snare Bar Assy. Complete
- 4-A** ME-237 Snare Bar ONLY
- 4-B** SC-116 Allen Screw (one each)
- 4-C** SP-21C Spring (one each)
- 4-D** SC-186 Screw (one each)
- G** S-14MRA Throw off Assy. Complete
- 1** DC-384 Bridge Assy. Mounting Plate
- 2** KB-510 Key Bolt (one each)
- 3** SC-52A Screw w/Washer (one set)
- 4** SC-157A Screw, Washer & Nut (one set)
- 5** ME-237A Snare Bar Assy. Complete
- 5-A** ME-237 Snare Bar ONLY
- 5-B** SC-116 Allen Screw (one each)
- 5-C** SP-21C Spring (one each)
- 5-D** SC-186 Screw (one each)

- H** RIM-1410SG 14" Steel Hoop w/Snare Guard
RIM-1308SG 13" Steel Hoop w/Snare Guard
- I** GS-142 Nylon Gut Snare (14")
GS-132 Nylon Gut Snare (13")
- 1** SPS-18 Plastic Strap

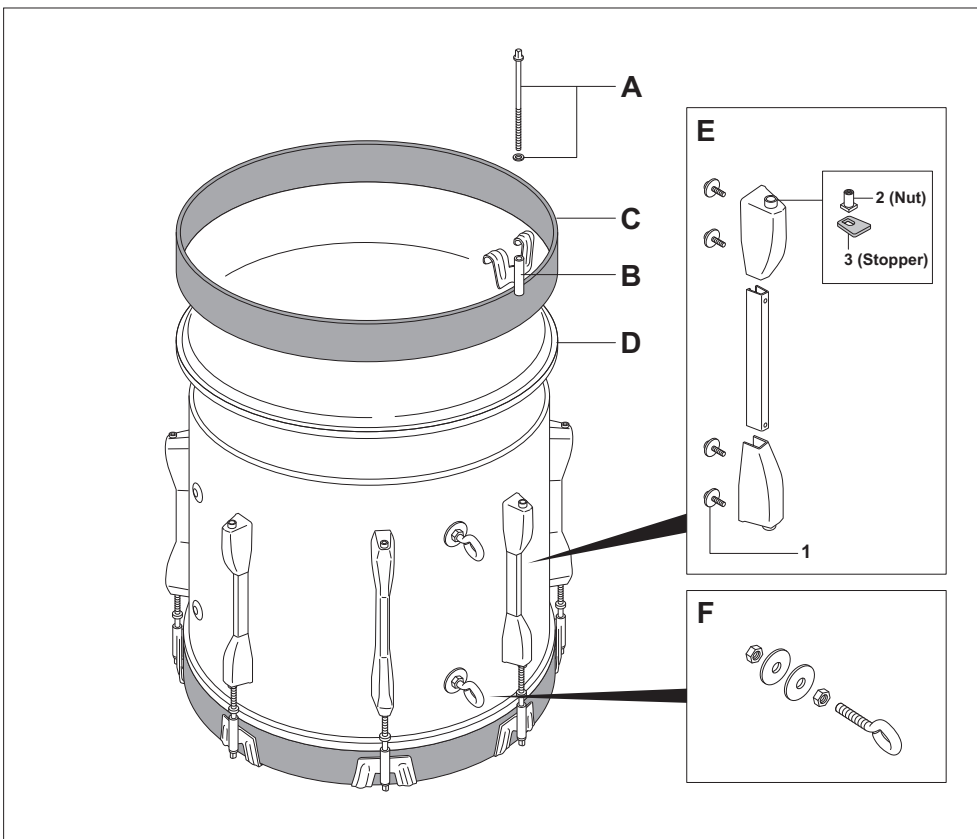
COMPETITOR SERIES

CMT TENOR DRUMS



- A T-056 w7/32x56mm Tension Rod w/Washer
- B RIM-0804 8" Steel Hoop, 4 Tensions
RIM-1006 10" Steel Hoop, 6 Tensions
RIM-1206 12" Steel Hoop, 6 Tensions
RIM-1306 13" Steel Hoop, 6 Tensions
RIM-1408B 14" Steel Hoop, 8 Tensions
- C CT-8 8" Clear Head
CT-10 10" Clear Head
CT-12 12" Clear Head
CT-13 13" Clear Head
CT-14 14" Clear Head
- D SLN-10T Lug Complete
1 SM-512 Mounting Screw w/Washer (one set)
2 DC-6FE Lug Nut
3 NP-81B Lug Stopper
- E AL-99A Tenor Spacer Set for 802
AL-100A Tenor Spacer Set for 8023
1 AL-54LB Aluminum Plate
2 SC-429A Carriage Bolt (M6 x 25) w/Washer & Nut (one set)
- F MTT-08 Marching Tom Trim ONLY (8")
MTT-10 Marching Tom Trim ONLY (10")
MTT-12 Marching Tom Trim ONLY (12")
MTT-13 Marching Tom Trim ONLY (13")
MTT-14 Marching Tom Trim ONLY (14")
1 NP-246 Trim Rubber Cap

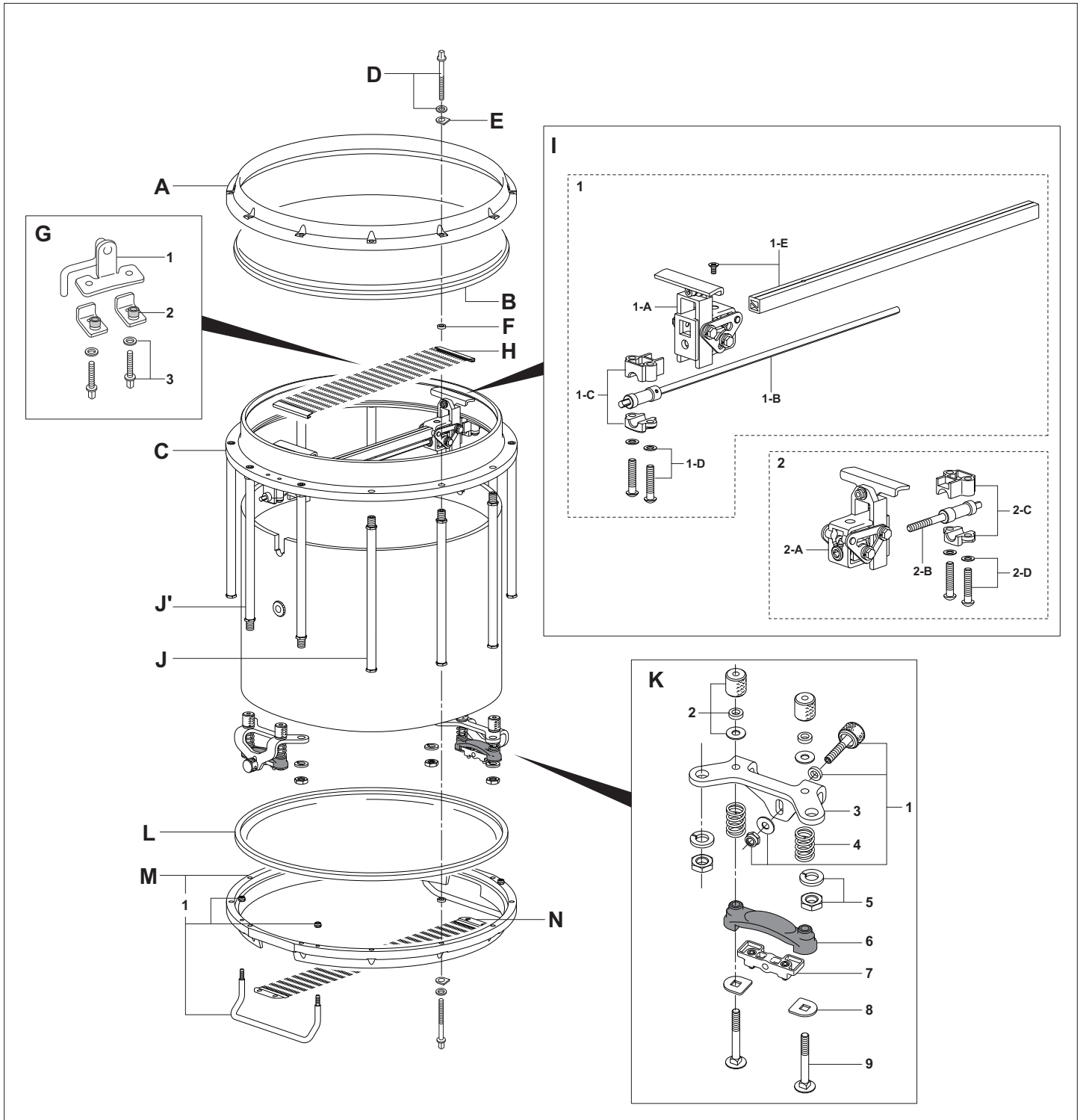
CMB BASS DRUMS



- A T-066 M6x115mm Tension Rod w/Washer
- B D-042 Stamped Steel Claw w/Plastic Washer
- C RIM-14CB 14" BD Hoop, 40mm, Matte Black
RIM-16CB 16" BD Hoop, 40mm, Matte Black
RIM-18CB 18" BD Hoop, 40mm, Matte Black
RIM-20CB 20" BD Hoop, 40mm, Matte Black
RIM-22CB 22" BD Hoop, 40mm, Matte Black
RIM-24CB 24" BD Hoop, 40mm, Matte Black
RIM-26CB 26" BD Hoop, 40mm, Matte Black
RIM-28CB 28" BD Hoop, 40mm, Matte Black
- D SW-14B 14" Smooth White Head
SW-16B 16" Smooth White Head
SW-18B 18" Smooth White Head
SW-20B 20" Smooth White Head
SW-22B 22" Smooth White Head
SW-24B 24" Smooth White Head
SW-26B 26" Smooth White Head
SW-28B 28" Smooth White Head
- E HLN-14B 3-pc Tension Lug Complete
1 SM-512 Mounting Screw w/Washer (one set)
2 DC-5FE Lug Nut
3 NP-225 Lug Stopper
- F EB-2 Eye Bolt Assy. Complete

PIPEBAND SERIES

FFXPMD SNARE DRUMS



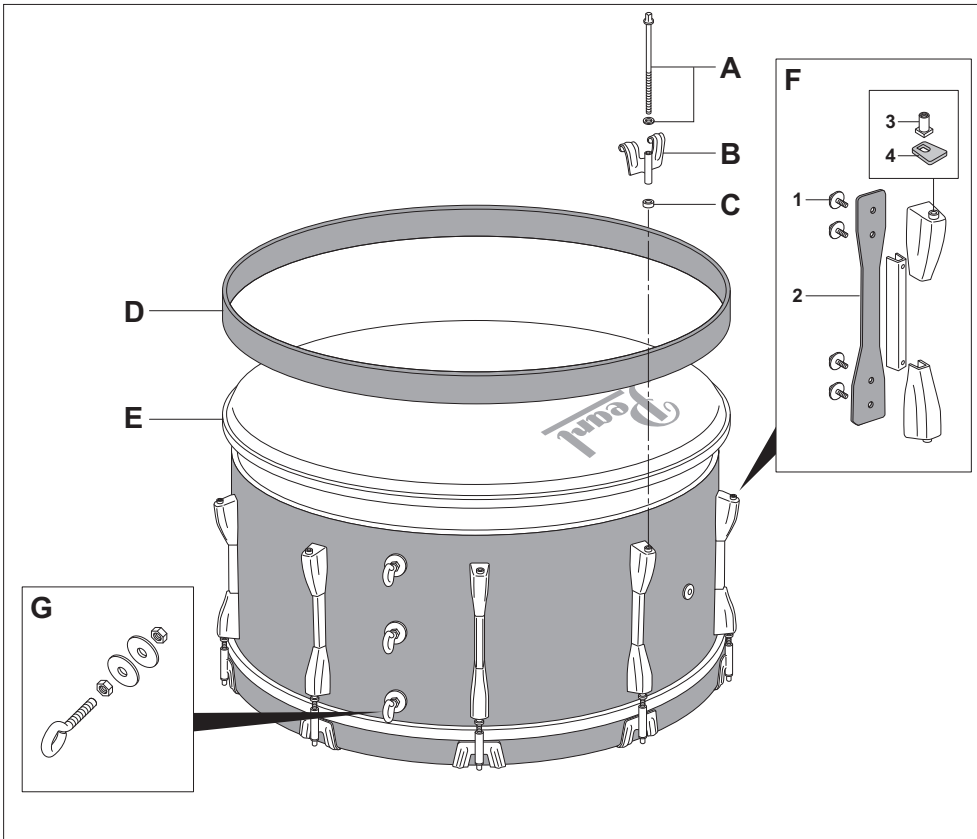
- A DA-14TN** 14" Aluminum Die-Cast Hoop, Batter Side
- B KS-0524-00** 14" Remo Cybermax Head
- C ER-14PBK** Edge Ring, Pipe Band Snare Drum
- D T-054** M6x54mm Tension Rod w/Washers
- E PR-514** D Washer
- F RG-56** Rod Guard
- G CH-5S** Carry Hook, Complete
- 1 PR-504** Carry Hook ONLY
- 2 PR-505A** Bottom Clamp Assy. (one set)
- 3 KB-630W** Key Bolt w/Washer (one set)
- H S-505TC-PRC** Top Snare Wires, 28 Strands

- I S-19R** Top Internal Snare Mechanism, Complete
- 1 S-19HA** Height Adjustment Side Assy.
- 1-A DC-743HA** Snare Rail for Height Adjustment Side
- 1-B ME-794A** Height Adjustment Rod
- 1-C DC-744ULA** Edge Ring Connector
- 1-D SC-397LW** Screw w/Washer (one set)
- 1-E AL-92A** Connecting Strut
- 2 S-19TA** Tension Adjustment Side Assy.
- 2-A DC-743TA** Snare Rail for Tension Adjustment Side
- 2-B ME-796** Tension Adjustment Bolt
- 2-C DC-744ULA** Edge Ring Connector
- 2-D SC-397LW** Screw w/Washer (one set)
- J TSP-102N/K** Tension Post
- J' TSP-102S/K** Tension Post for Strainer Position

- K S-20R** Bottom Snare Platform Assy.
- 1 ME-811A** Adjustment Knob Assy. w/Washer
- 2 ME-469BA** Knurled Nut & Washers (one set)
- 3 AL-89** Platform
- 4 SP-62** Spring (one each)
- 5 NU-45W** Washer & Nut (one set)
- 6 NP-510** Plastic Bridge
- 7 DC-745A** Snare Anchor
- 8 PR-705** Gasket (one each)
- 9 SC-239** Screw (one each)
- L SA-0114** 14" Remo Ambassador Snare Side Head, Hazy
- M DA-14BNN** 14" Aluminum Die-Cast Hoop, Snare Side w/Guard
- 1 AL-93A** Bottom Snare Guard Assy. w/Hexagonal Nut
- N S-505S-PRC** Bottom Snare Wires, 24 Strands

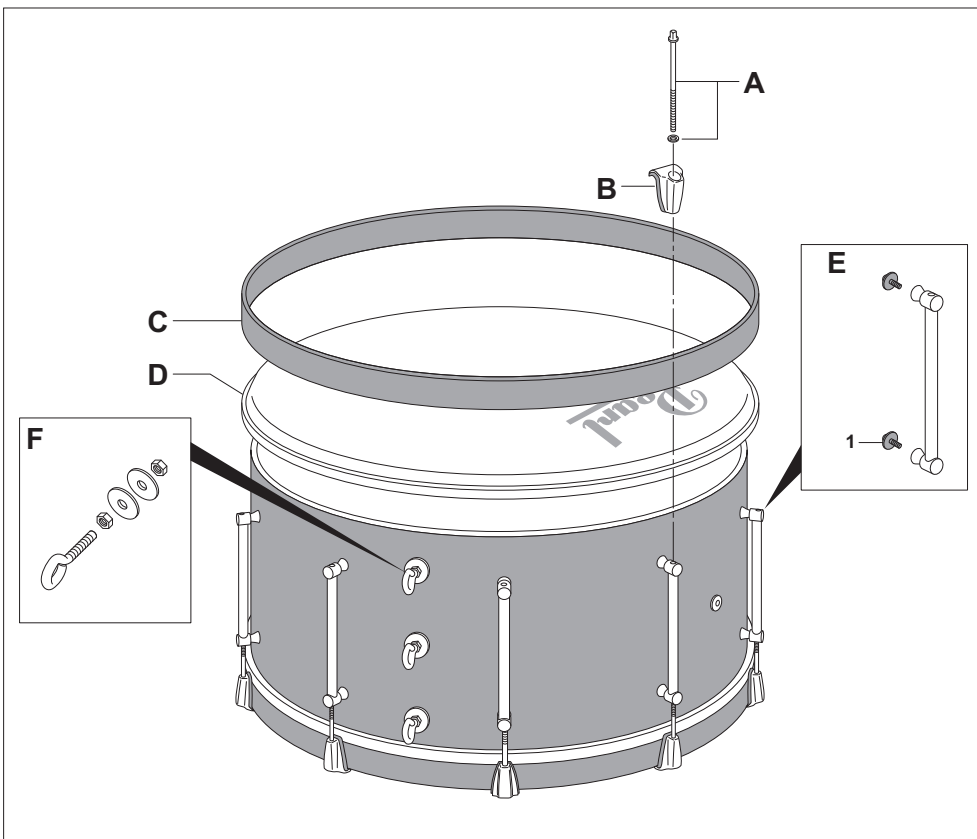
PIPEBAND SERIES

PB BASS DRUMS



- A T-066 M6x115mm Tension Rod w/Washer
- B D-042 Stamped Steel Claw
- C RG-56 Rod Guard
- D RIM-26BDP 26" BD Hoop (40mm Width)
- RIM-28BDP 28" BD Hoop (40mm Width)
- E BR-1226PL 26" Remo Smooth White Head, w/Pearl Logo
- BR-1228PL 28" Remo Smooth White Head, w/Pearl Logo
- F HLN-12B 3-pc Tension Lug Complete, 12" Depth
- HLN-14B 3-pc Tension Lug Complete, 14" Depth
- HLN-16B 3-pc Tension Lug Complete, 16" Depth
- 1 SM-512 Mounting Screw w/Washer (one set)
- 2 GA-83 Gasket 12" Depth
- 2 GA-84 Gasket 14" Depth
- 2 GA-85 Gasket 16" Depth
- 3 DC-5FE Lug Nut
- 4 NP-225 Lug Stopper
- G EB-2 Eye Bolt Assy. Complete

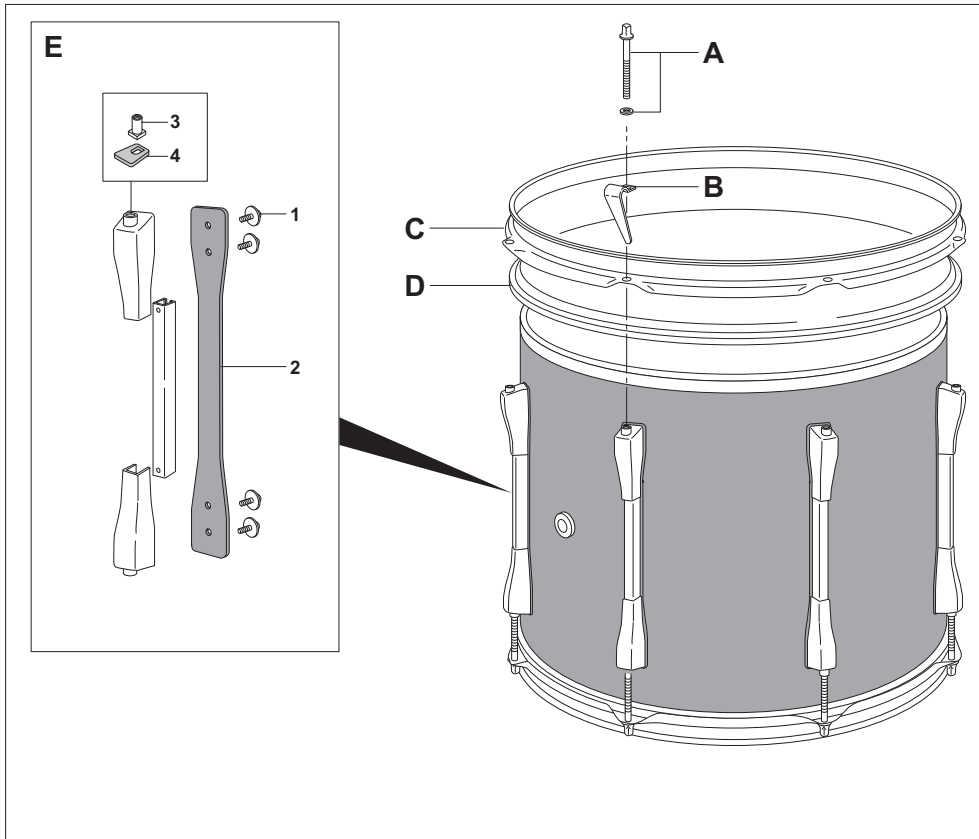
BDP BASS DRUMS



- A T-066 M6x115mm Tension Rod w/Washer (12"/16" Depth Bass Drum)
- T-067 M6x135mm Tension Rod w/Washer (14" Depth Bass Drum)
- B D-054 Die-Cast Claw
- C RIM-26BDP 26" BD Hoop (40mm Width)
- RIM-28BDP 28" BD Hoop (40mm Width)
- RIM-30BDP 30" BD Hoop (40mm Width)
- D BR-1226PL 26" Remo Smooth White Head, w/Pearl Logo
- BR-1228PL 28" Remo Smooth White Head, w/Pearl Logo
- BR-1230PL 30" Remo Smooth White Head, w/Pearl Logo
- E TSP-12P/K Aluminum Slim Line Tube Lug, 12" & 14" Depth
- TSP-16P/K Aluminum Slim Line Tube Lug, 16" Depth
- 1 SM-411B Screw w/Washer (one each)
- F EB-2 Eye Bolt Assy. Complete

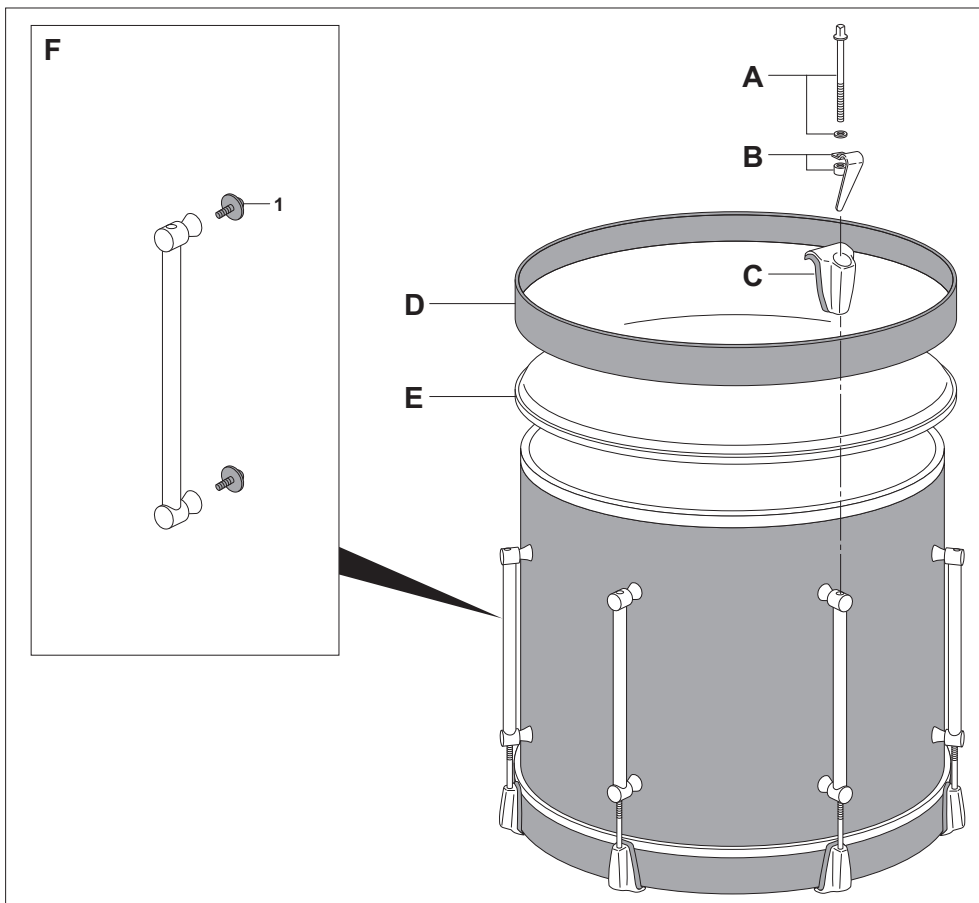
PIPEBAND SERIES

PTD TENOR DRUMS



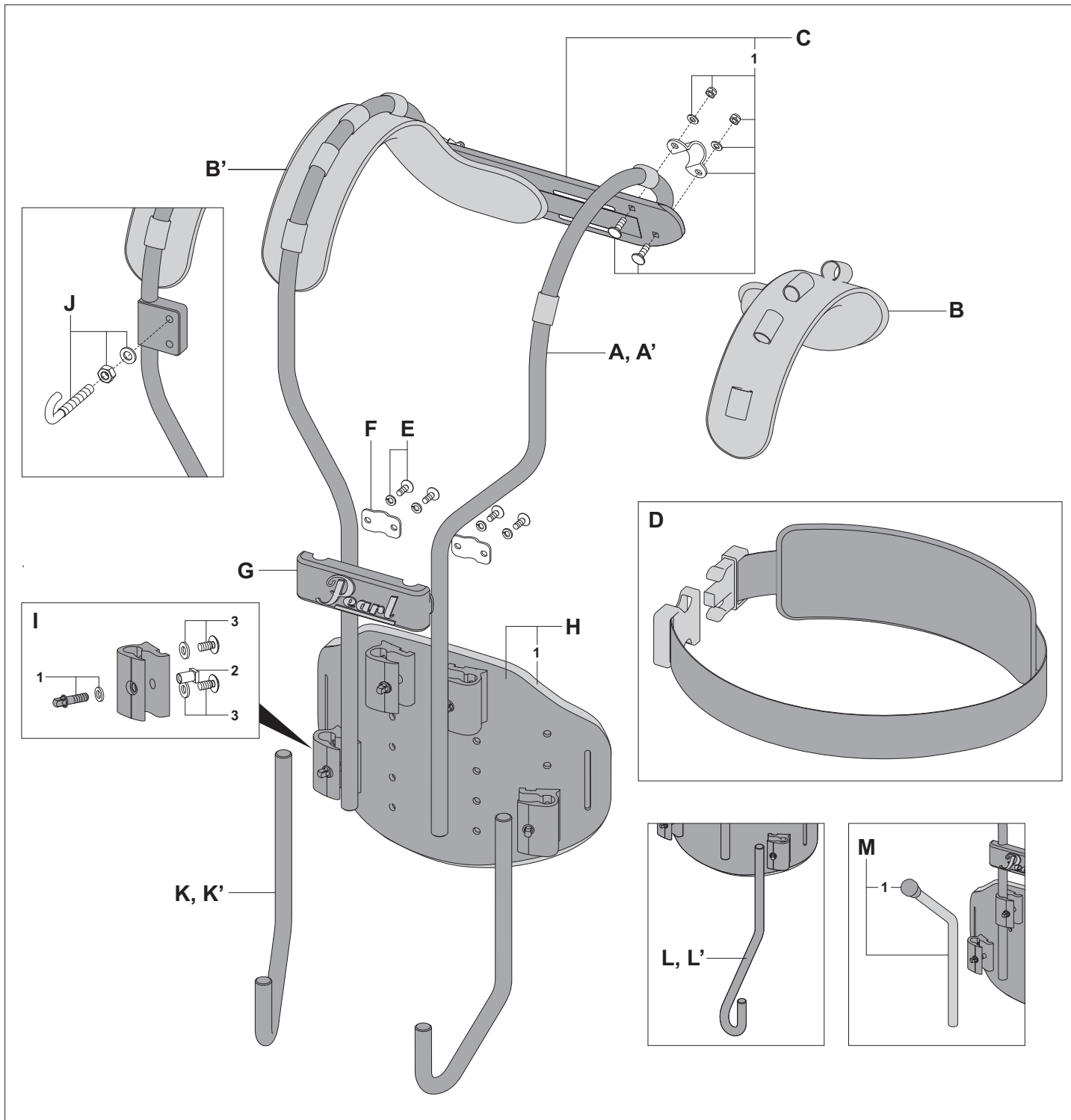
- A T-056 w7/32x56mm Tension Rod w/Washer
- B PR-495 Sling Hook
- C SH-1508 15" Superhoop II (8 Tensions)
- SH-1608 16" Superhoop II (8 Tensions)
- SH-1808 18" Superhoop II (8 Tensions)
- D BA-0115-00 15" Remo Coated Drum Head
- BA-0116-00 16" Remo Coated Drum Head
- BA-0118-00 18" Remo Coated Drum Head
- E HL-312T 3-pc Tension Lug Complete
- 1 SM-510 Screw w/Washer (one set)
- 2 GA-82 Gasket
- 3 DC-6FE Lug Nut
- 4 NP-81B Lug Stopper

TDP TENOR DRUMS



- A T-065 M6x 90mm Tension Rod w/Washer (12" Depth Tenor Drum)
- T-066 M6x115mm Tension Rod w/Washer (14" Depth Tenor Drum)
- B PR-495A Sling Hook w/Collar
- C D-054 Die-Cast Claw
- D RIM-14TDP 14" Tenor Drum Hoop (25mm Width)
- RIM-15TDP 15" Tenor Drum Hoop (25mm Width)
- RIM-16TDP 16" Tenor Drum Hoop (25mm Width)
- RIM-18TDP 18" Tenor Drum Hoop (25mm Width)
- RIM-20TDP 20" Tenor Drum Hoop (25mm Width)
- RIM-22TDP 22" Tenor Drum Hoop (25mm Width)
- E BA-0114-00 14" Remo Coated Drum Head
- BA-0115-00 15" Remo Coated Drum Head
- BA-0116-00 16" Remo Coated Drum Head
- BA-0118-00 18" Remo Coated Drum Head
- BA-1120-00 20" Remo Coated Drum Head
- BA-1122-00 22" Remo Coated Drum Head
- F TSP-12P/K Aluminum Slim Line Tube Lug, 12" & 14" Depth
- 1 SM-411B Screw w/Washer (one set)

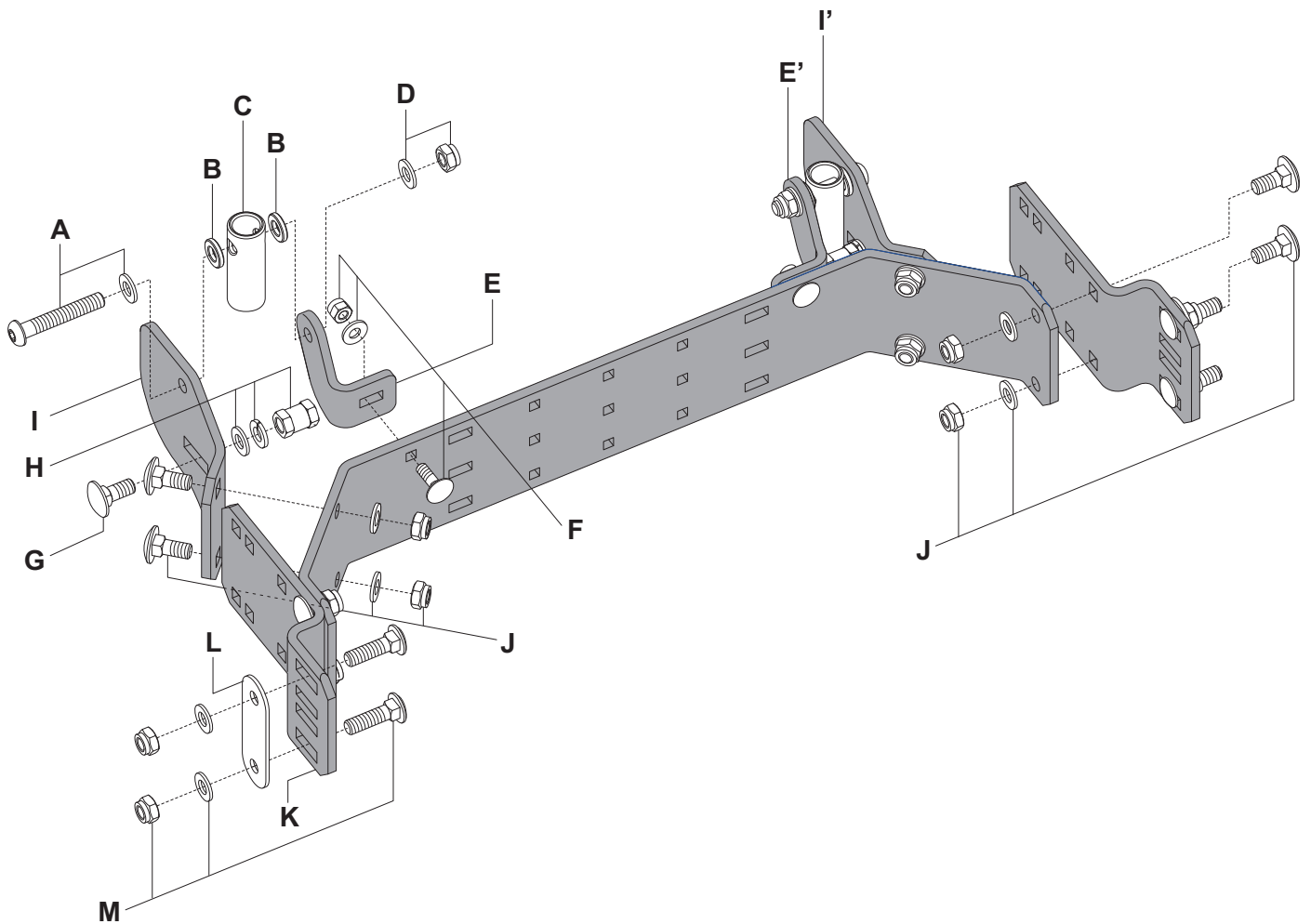
CX AIRFRAME CARRIER



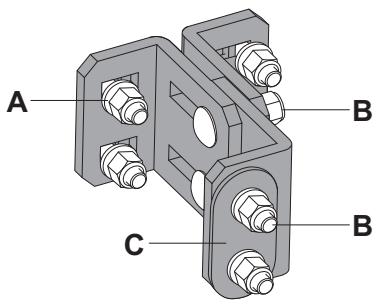
A	AL-59	Shoulder Harness ONLY (for CXS-1, CXT-1)
A'	AL-59BD	Shoulder Harness ONLY (for CXB-1)
B	NP-479NL	Shoulder Cushion (left)
B'	NP-479NR	Shoulder Cushion (right)
C	AL-84A PR-703A	Back Plate Assy. Complete Metal Clamp Plate Assy. (one set)
D	NP-525A	ACS Belt w/Cushion
E	SC-465SA	Mounting Screw (M5 x 12) w/Washer (one set)
F	PR-679S	Metal Clamp Plate (one each)
G	NP-480	Logo Plate ONLY
H	AL-58NA	Belly Plate w/Cushion & J-Rod Clamp Assy.
H-1	NP-478N	Belly Plate Cushion ONLY

I	AL-42CA	J-Rod Clamp Assy. Complete (one set)
1	SC-59HRWA	Key Bolt (M6 x 20) w/Washer (one set)
2	DC-5FE	Lug Nut
3	SC-453WA	Mounting Screw (M6 x 15) w/Washer (one set)
J	SC-409A	J-Bolt w/Washer & Nut (for CXB-1 ONLY, one set)
K	AL-40	J-Rod for CXS-1 Snare Drum Carrier (one each)
K'	AL-72	J-Rod for CXSP-1 Snare Drum Carrier (one each)
L	AL-72NL	J-Rod for Tenor Carrier, Left (one each)
L'	AL-72NR	J-Rod for Tenor Carrier, Right (one each)
M	AL-70A	Stabilizer for Bass Drum Carrier (one each)
M-1	NP-461	Rubber Tip (one each)

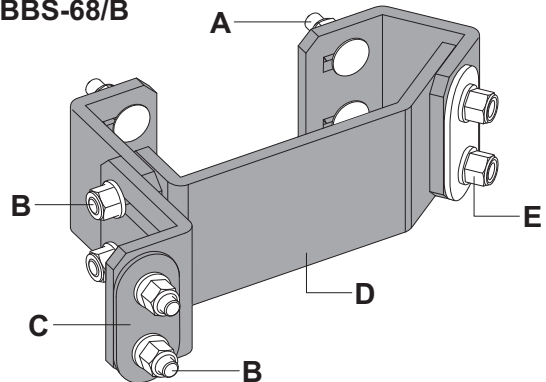
CXBB-1 Tenor Back Bar and Attachments



BBS-6S/B



BBS-68/B

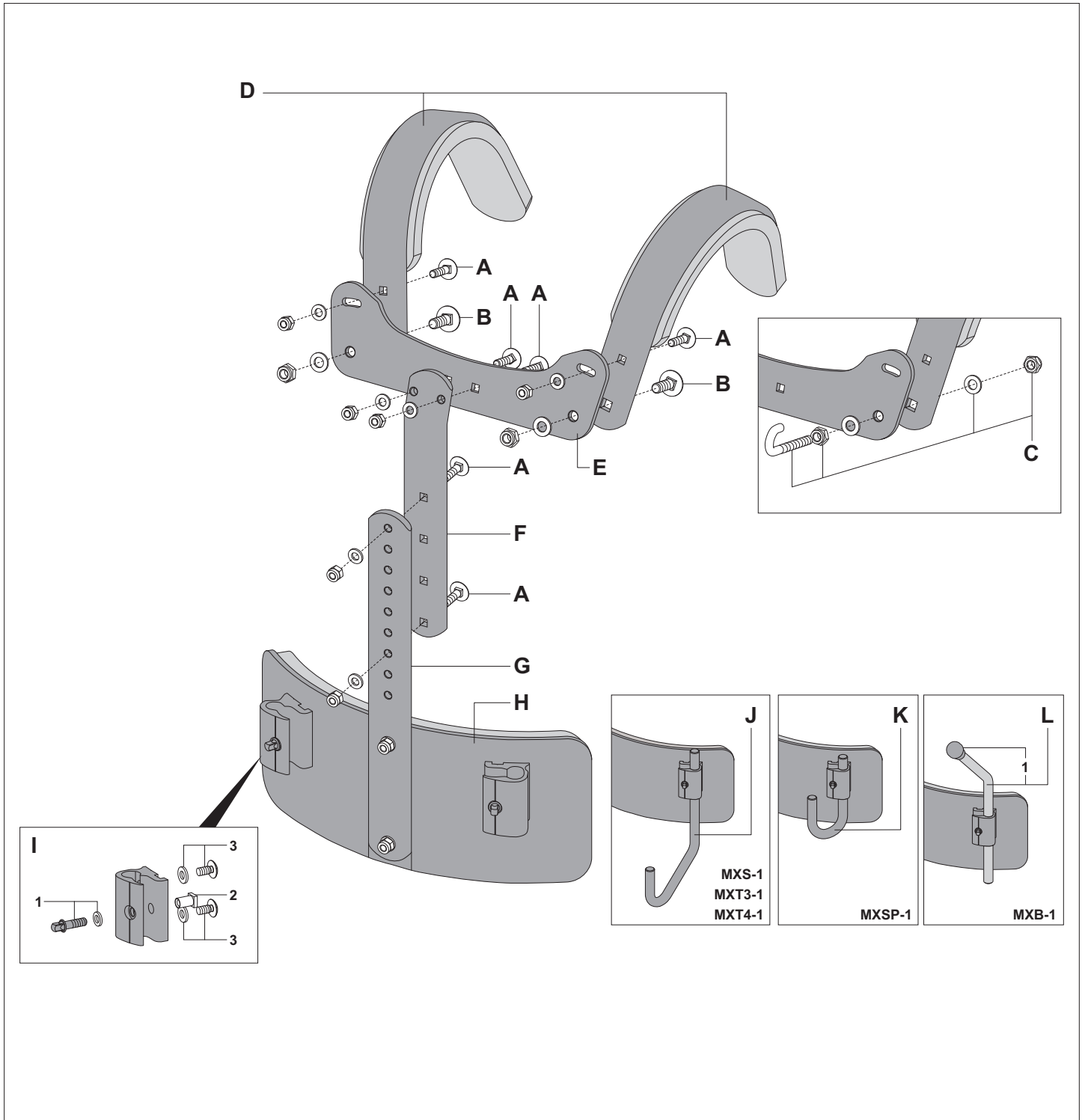


A	SC-426LA	Hinge Rod (M8 x 50) w/Washer (one set)
B	NP-484	Spacer (one each)
C	ME-758	J-Rod Bracket
D	NU-17CA	Mounting Nut w/Washer
E	AL-71R	Bracket Support Plate (right side)
E'	AL-71L	Bracket Support Plate (left side)
F	SC-269A	Carriage Bolt (M6 x 20) w/Washer & Nut (one set)
G	SC-427	Carriage Bolt (M8 x 20, one each)
H	ME-759A	Bracket Bumper Assy. Complete (one set)
I	AL-55R	J-Rod Bracket Mounting Plate (right side)
I'	AL-55L	J-Rod Bracket Mounting Plate (left side)
J	SC-427A	Carriage Bolt (M8 x 20) w/Washer & Nut (one set)
K	AL-56	Side Bar (one each)
L	AL-53	Metal Clamp Plate (one each)
M	SC-33BA	Carriage Bolt (M8 x 30) w/Washer & Nut (one set)

BBS-6S/B		6" Tom Mounting Attachment
A	SC-269A	Carriage Bolt (M6 x 20) w/Washer & Nut (one set)
B	SC-429A	Carriage Bolt (M6 x 25) w/Washer & Nut (one set)
C	AL-54LB	Metal Clamp Plate (one each)

BBS-68/B		6/8" Tom Mounting Attachment
A	SC-269A	Carriage Bolt (M6 x 20) w/Washer & Nut (one set)
B	SC-429A	Carriage Bolt (M6 x 25) w/Washer & Nut (one set)
C	AL-54LB	Metal Clamp Plate (one each)
D	BBS-68STB/B	Stabilizer Bar
E	SC-13A	Carriage Bolt (M6 x 30) w/Washer & Nut (one set)

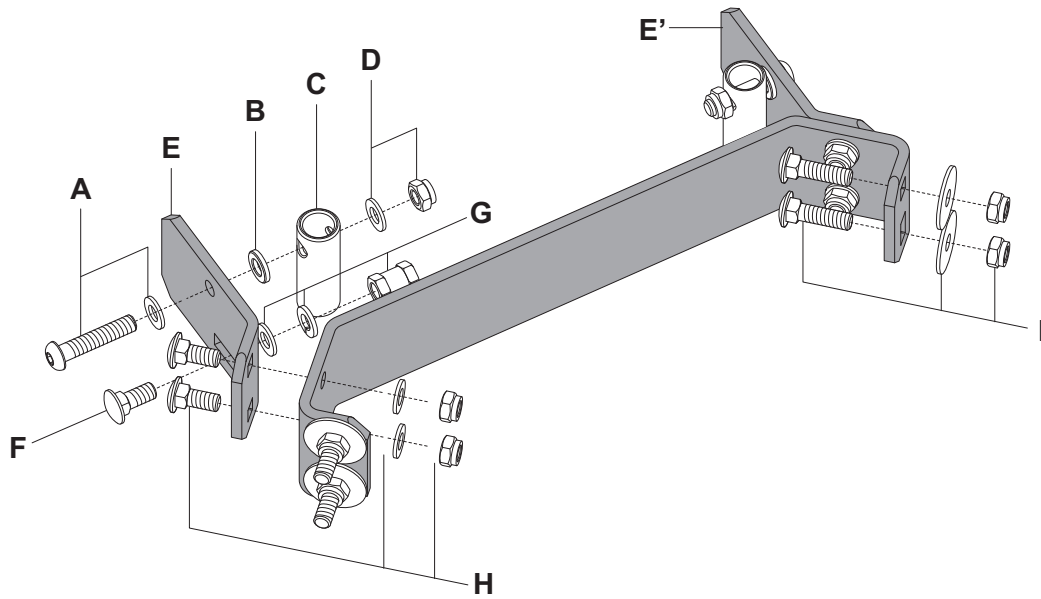
MX T-FRAME CARRIER



- A SC-429A Carriage Bolt (M6 x 25) w/Washer & Nut (one set)
- B SC-443A Carriage Bolt (M8 x 25) w/Washer & Nut (one set)
- C SC-409NA J-Bolt w/Washers & Hex Nuts (for MXB-1 ONLY, one set)
- D AL-67A Shoulder Hook w/Cushion (one each)
- E AL-64 Crossrail ONLY
- F AL-34 Upper Vertical ONLY
- G AL-35 Lower Vertical ONLY
- H AL-41A Belly Plate w/J-Rod Clamp Assy.

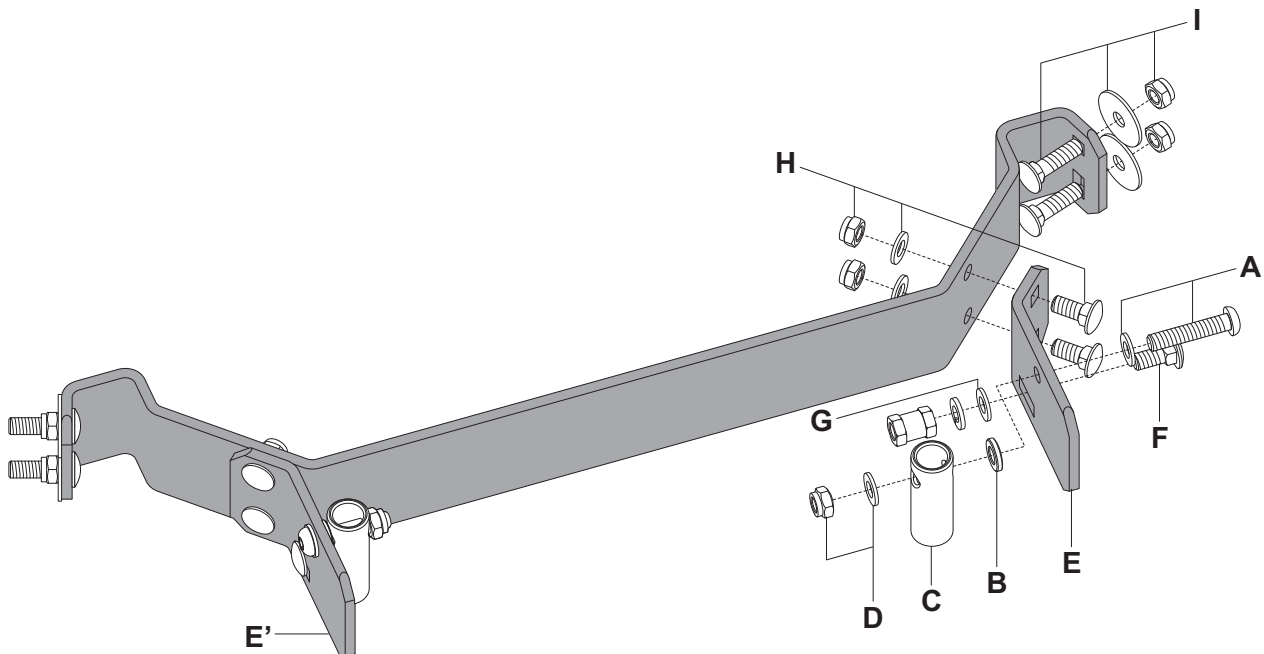
- I AL-42CA J-Rod Clamp Assy. Complete (one set)
- 1 SC-59HRWA Key Bolt (M6 x 20) w/Washer (one set)
- 2 DC-5FE Lug Nut
- 3 SC-453WA Mounting Screw (M6 x 12) w/Washer (one set)
- J AL-40 J-Rod, Short for Snare Drum Carrier (one each)
- AL-65L J-Rod, Long for Tenor Drum Carrier (one each)
- K AL-72 J-Rod, Extra Short for Pipe Snare Drum Carrier (one each)
- L AL-70A Stabilizer for Bass Drum Carrier (one each)
- 1 NP-461 Rubber Tip (one each)

MX3BB-1 Trio Back Bar



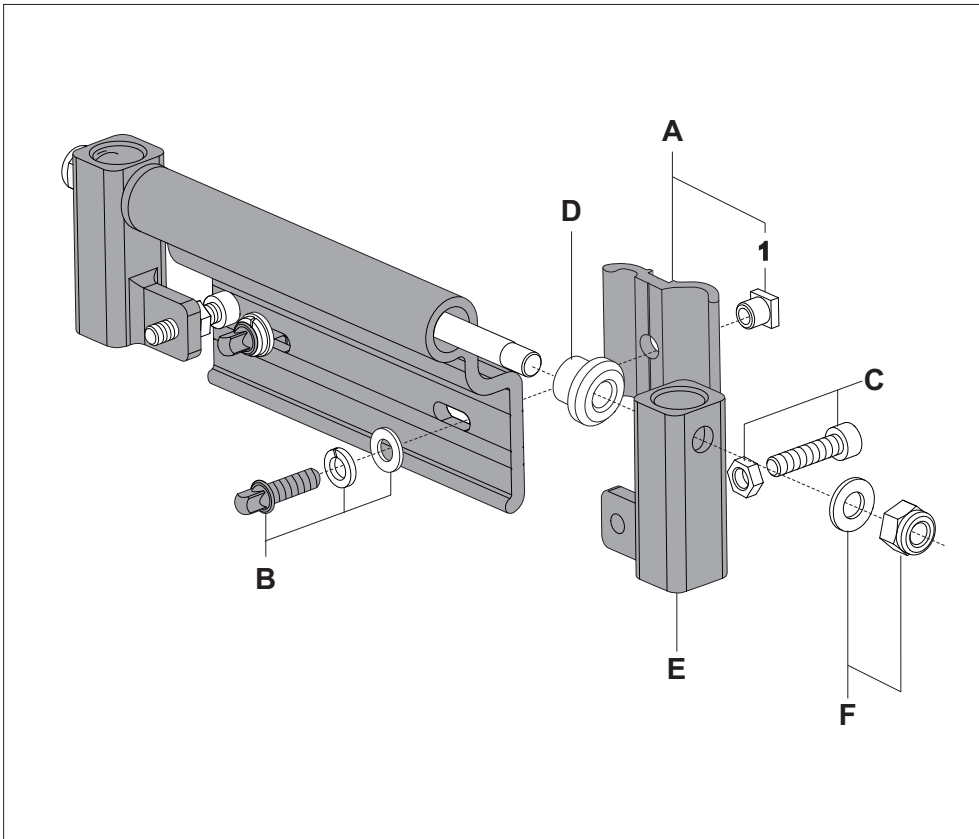
A	SC-426A	Hinge Rod (M8 x 40) w/Washer (one set)	F	SC-427	Carriage Bolt (M8 x 20, one each)
B	NP-484	Spacer	G	ME-759A	Bracket Bumper Assy. Complete (one set)
C	ME-758	J-Rod Bracket	H	SC-427A	Carriage Bolt (M8 x 20) w/Washer & Nut (one set)
D	NU-17CA	Mounting Nut w/Washer	I	SC-33BA	Carriage Bolt (M8 x 30) w/Washer & Nut (one set)
E	AL-61R	J-Rod Bracket Mounting Plate (right side)			
E'	AL-61L	J-Rod Bracket Mounting Plate (left side)			

MX4BB-1 Quad Back Bar



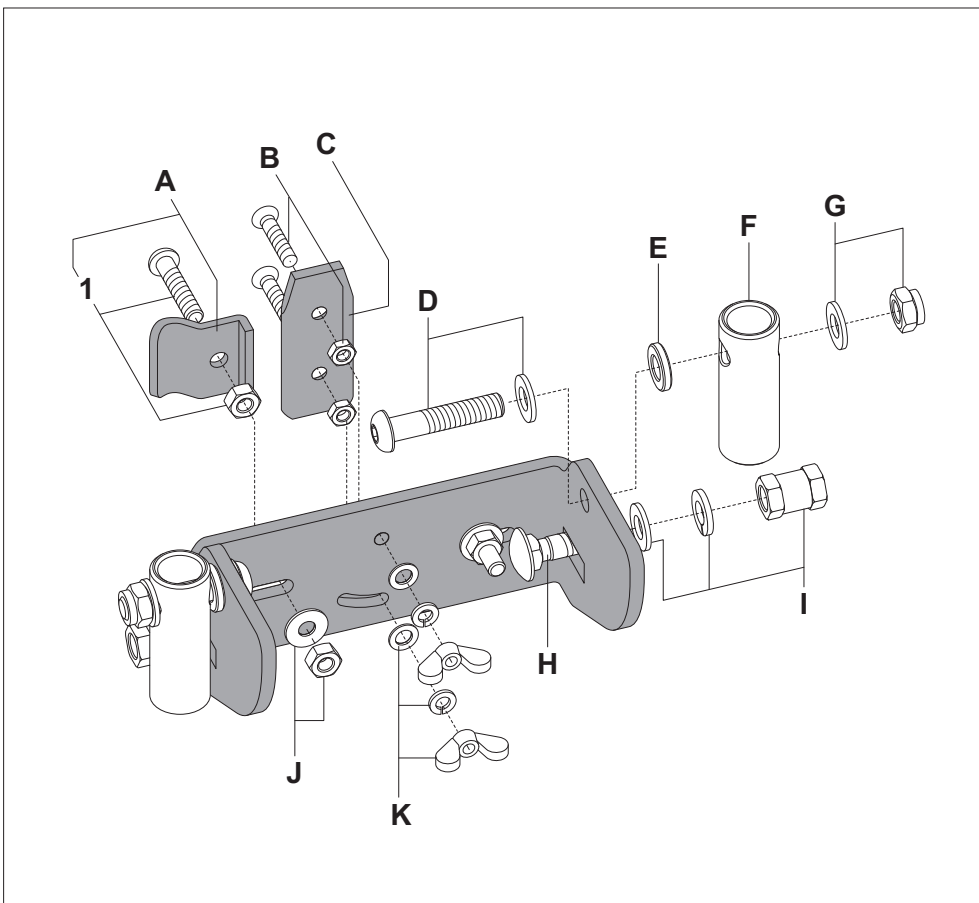
A	SC-426A	Hinge Rod (M8 x 40) w/Washer (one set)	F	SC-427	Carriage Bolt (M8 x 20, one each)
B	NP-484	Spacer	G	ME-759A	Bracket Bumper Assy. Complete (one set)
C	ME-758	J-Rod Bracket	H	SC-427A	Carriage Bolt (M8 x 20) w/Washer & Nut (one set)
D	NU-17CA	Mounting Nut w/Washer	I	SC-33BA	Carriage Bolt (M8 x 30) w/Washer & Nut (one set)
E	AL-61R	J-Rod Bracket Mounting Plate (right side)			
E'	AL-61L	J-Rod Bracket Mounting Plate (left side)			

CXSA-2 Snare Attachment



- | | | |
|---|-----------|---|
| A | AL-69A | Claw Assy. Complete (one set) |
| 1 | DC-5FES | Mounting Nut (one each) |
| B | SC-59HRWA | Key Bolt (M6 x 20) w/Washers (one set) |
| C | SC-432A | Bracket Bumper Bolt (M6 x 25) w/Nut (one set) |
| D | NP-538 | Spacer |
| E | AL-98 | J-Rod Bracket |
| F | NU-17CA | Mounting Nut w/Washer |

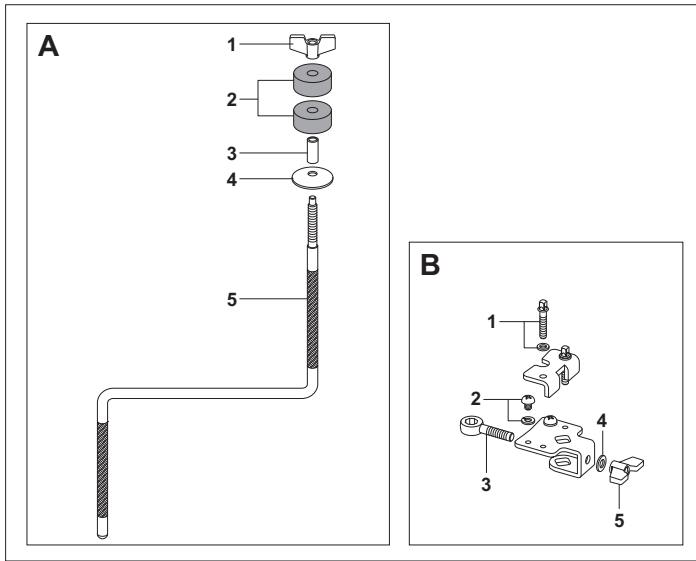
MXSA-1 Snare Attachment



- | | | |
|---|---------|--|
| A | PR-649A | Claw Assy. Complete (one set) |
| 1 | SC-431A | Mounting Screw (M6 x 30) w/Nut (one set) |
| B | SC-425A | Mounting Screw (M5 x 25) w/Nut (one set) |
| C | PR-691 | Clip Bracket Tongue ONLY |
| D | SC-426A | Hinge Rod (M8 x 40) w/Washer (one set) |
| E | NP-484 | Spacer |
| F | ME-758 | J-Rod Bracket |
| G | NU-17CA | Mounting Nut w/Washer |
| H | SC-443 | Carriage Bolt (M8 x 25, one each) |
| I | ME-759A | Bracket Bumper Assy. Complete (one set) |
| J | NU-4BA | Mounting Nut w/Washer |
| K | NU-43A | Wingnut w/Washers (one set) |

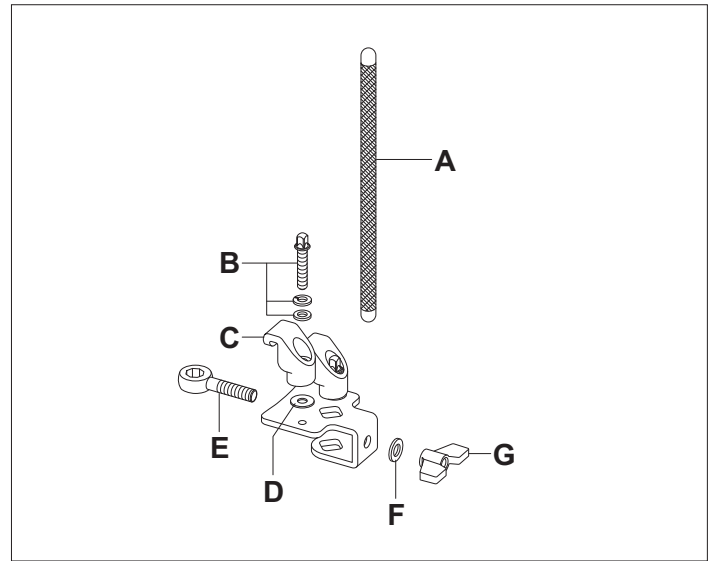
MARCHING ACCESSORY

MUH-10 MULTI USE HOLDER



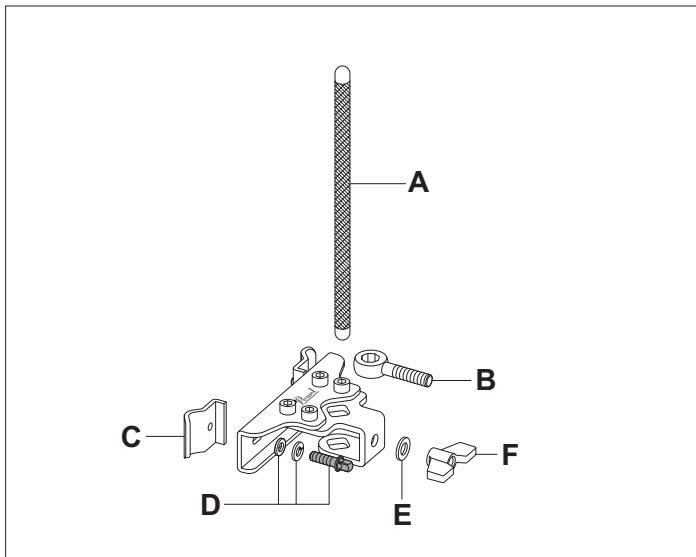
A	ME-527A	Crank Rod Assy. Complete
1	M-8W	Wing Nut
2	FE-19	Felt Washer (one each)
3	NP-70	Plastic Sleeve
4	PR-135	Cymbal Seat Cup
5	ME-527	Crank Rod ONLY
B	MUH-10BRA	Mounting Bracket Assy. Complete
1	SC-57W	Key Bolt w/Washer (one set)
2	SC-307W	Screw w/Washer (one set)
3	SC-271	Eye-Bolt
4	WS-43	Washer
5	M-8W	Wing Nut

MUH-10T MULTI USE HOLDER



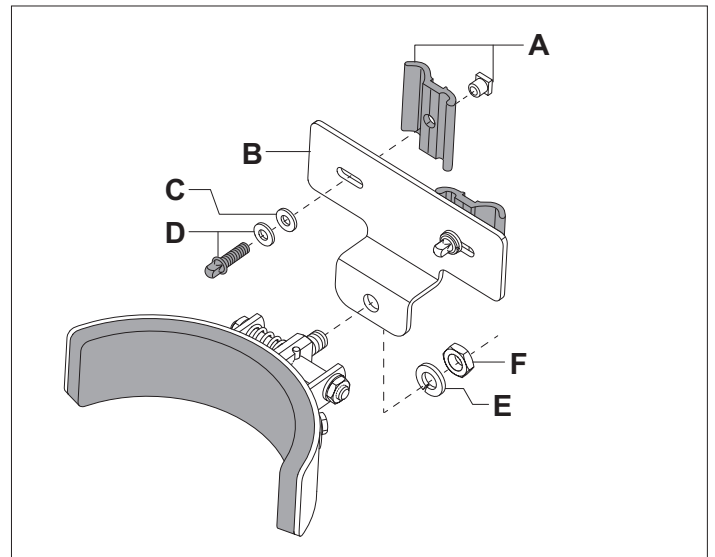
A	ME-672	Straight Post ONLY
B	KB-625WN	Key Bolt w/Washers (one set)
C	DC-385	Rim Hook (one each)
D	WS-5A	Washer
E	SC-271	Eye-Bolt
F	WS-43	Washer
G	M-8W	Wing Nut

MUH-20 MULTI USE HOLDER



A	ME-672	Straight Post ONLY
B	SC-271	Eye-Bolt
C	PR-649	Claw (one each)
D	SC-59HRWA	Key Bolt (M6 x 20) w/Washers (one set)
E	WS-43	Washer
F	M-8W	Wing Nut

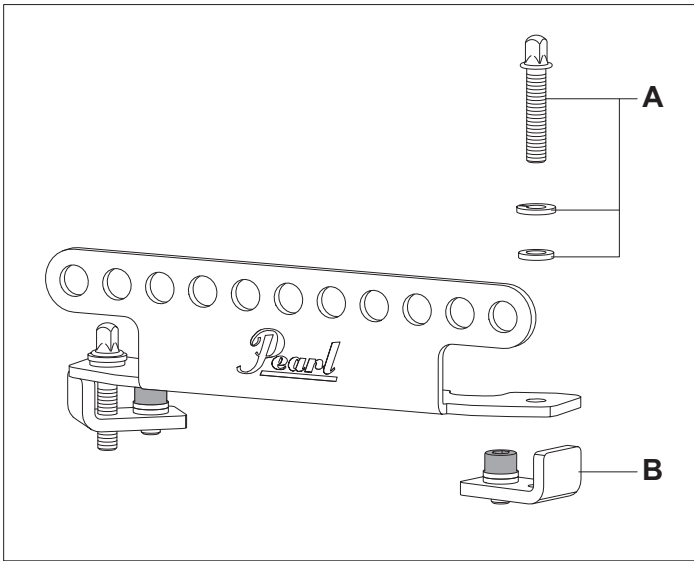
LR-60 LEG REST



A	AL-69A	Claw Assy. Complete (one set)
B	PR-711	Mounting Plate
C	WS-27	Washer
D	SC-59HRW	Key Bolt (M6 x 20) w/Washer (one set)
E	WS-34	Spring Washer
F	NU-17	Hexagonal Nut

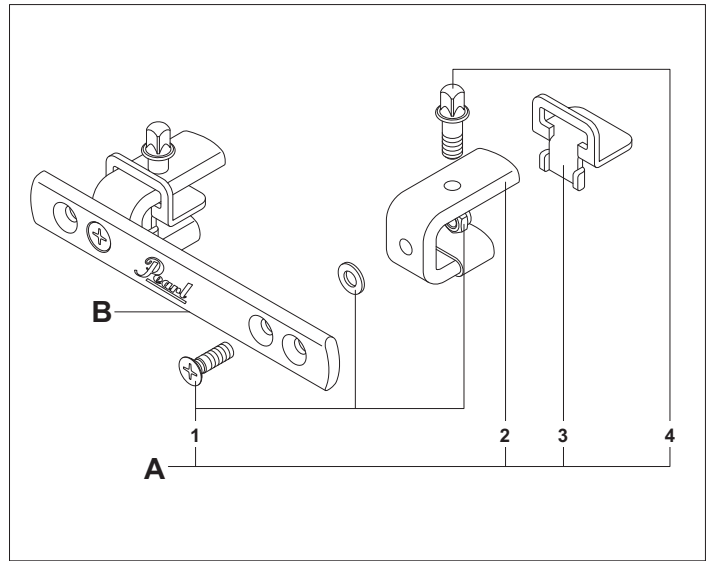
MARCHING ACCESSORY

MH-50 MULTI BAND HOLDER



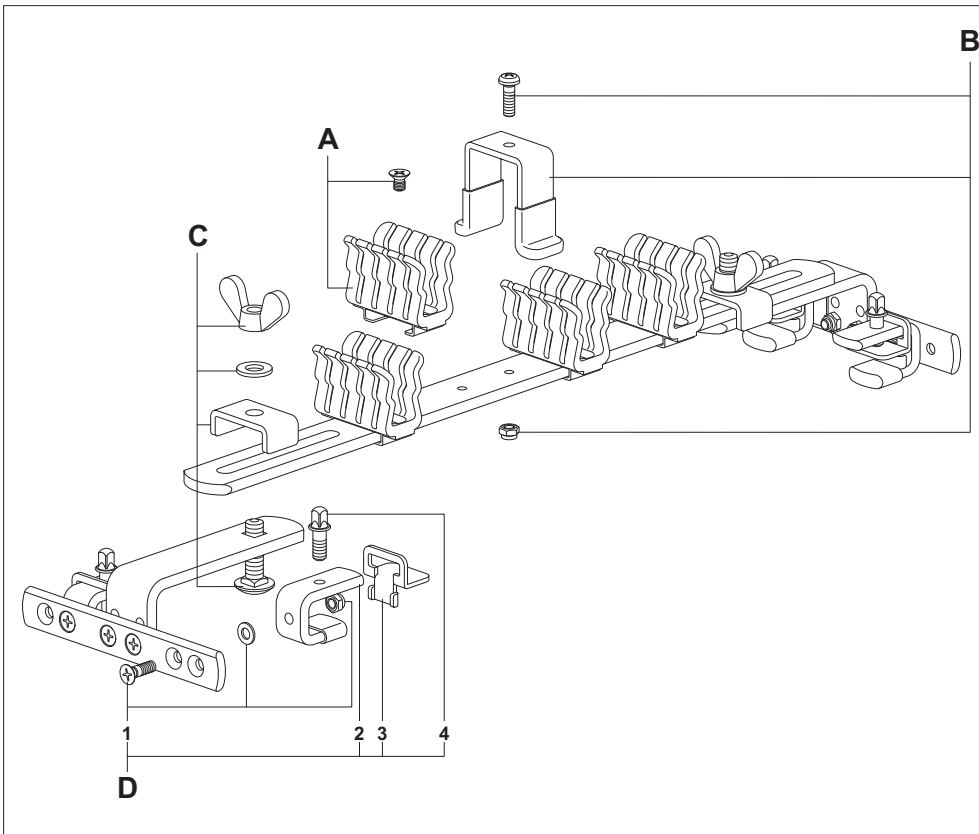
- A SC-57HWA Key Bolt w/Washer (one set)
 B PR-713A Holding Plate Assy.

BDR-1 BASS DRUM RIM SHOOTER



- A PR-565NA Hoop Clamp Assy. (one set)
 1 SC-149NWA Screw w/Washer & Nut (one set)
 2 PR-565N U Plate
 3 PR-564 Hoop Clamp Plate
 4 SC-40H Key Bolt
 B PR-566 Clamp Mounting Plate

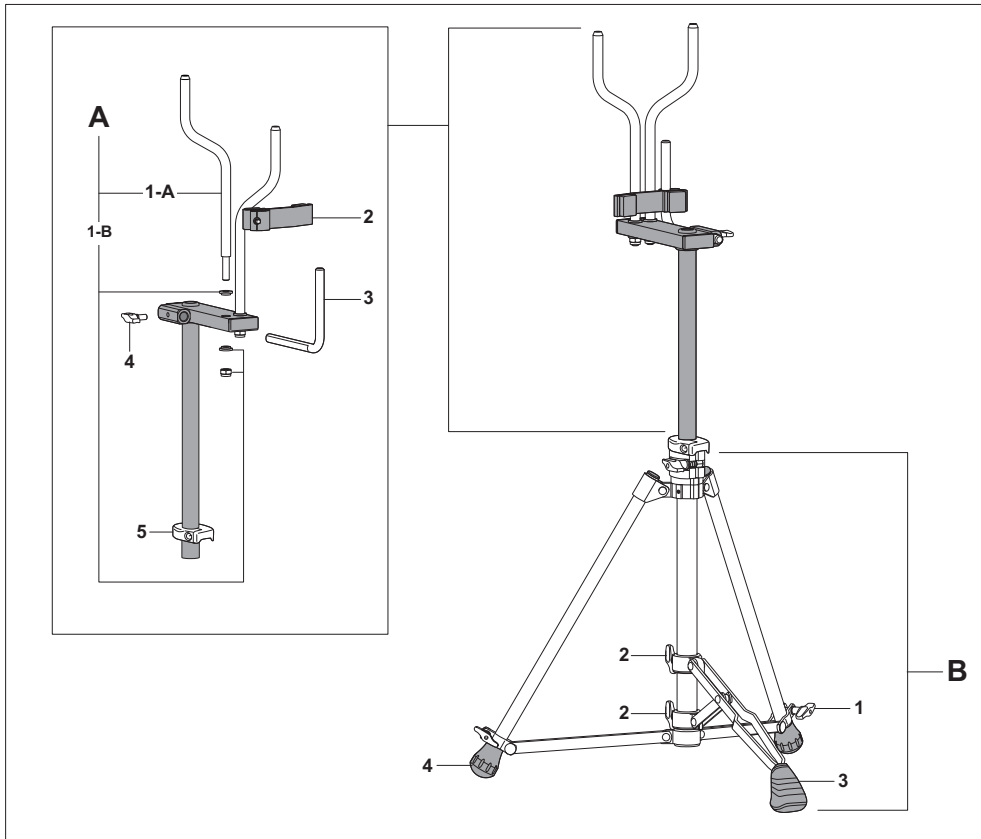
BMH-100 BASS DRUM MALLET HOLDER



- A NP-439A Mallet Holder w/Screw (one set)
 B PR-657A Stabilizing Clamp w/Screw & Nut
 C NU-26SWA Wing Nut w/Washer, Clamp & Bolt (one set)
 D PR-565NA Hoop Clamp Assy. (one set)
 1 SC-149NWA Screw w/Washer & Nut (one set)
 2 PR-565N U Plate
 3 PR-564 Hoop Clamp Plate
 4 SC-40H Key Bolt

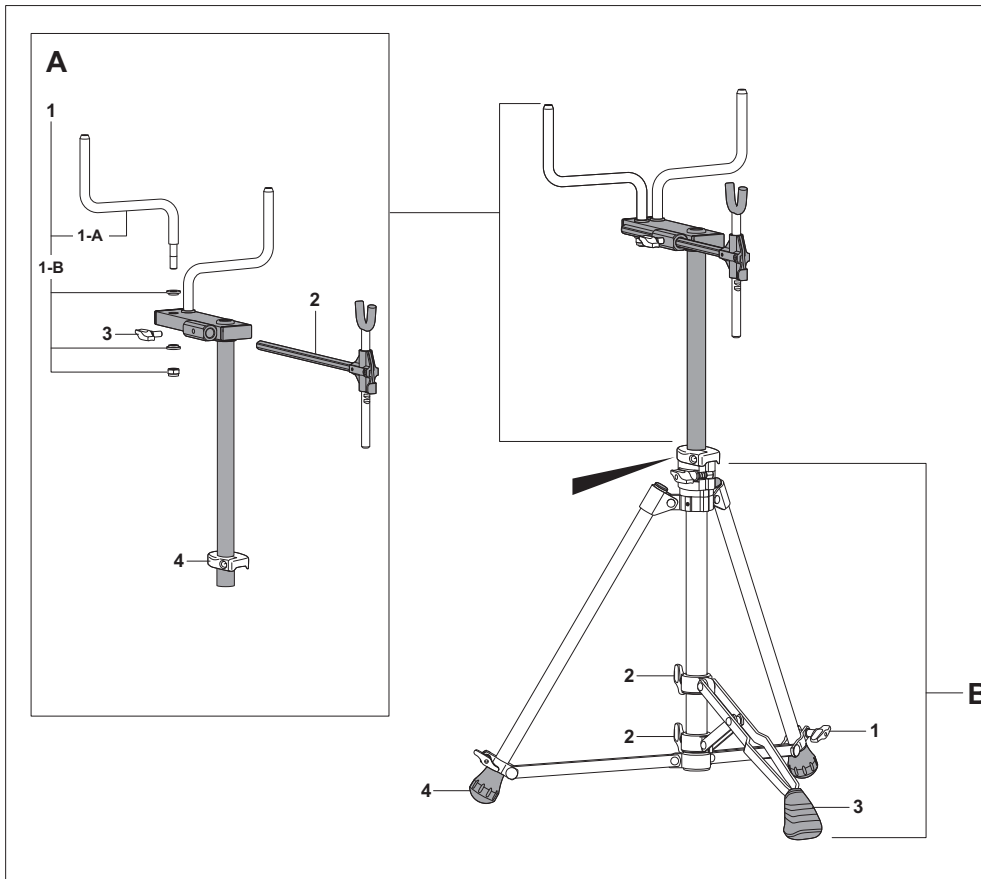
MARCHING STAND

MSS-3000 MARCHING SNARE DRUM STAND



- | | | |
|----------|-----------------|--|
| A | MS-300A | Upper Joint Assy. Complete |
| 1 | SM-090A | Mounting Post Assy. Complete (one set) |
| 1-A | SM-090 | Mounting Post (one each) |
| 1-B | SM-091A | Upper & Lower Washer w/Nut (one set) |
| 2 | AL-85A | Stabilizing Bar |
| 3 | SM-089 | Sliding Post |
| 4 | UGB-815 | Die-Cast Wing Bolt |
| 5 | DC-580A | Stop Lock Complete |
| B | BA-300BW | Base Assy. Complete |
| 1 | SC-445A | Bolt & Nut Set (one each) |
| 2 | UGB-815S | Die-Cast Wing Bolt (one each) |
| 3 | RB-002 | Rubber Tip |
| 4 | NP-498 | Rubber Tip (one each) |

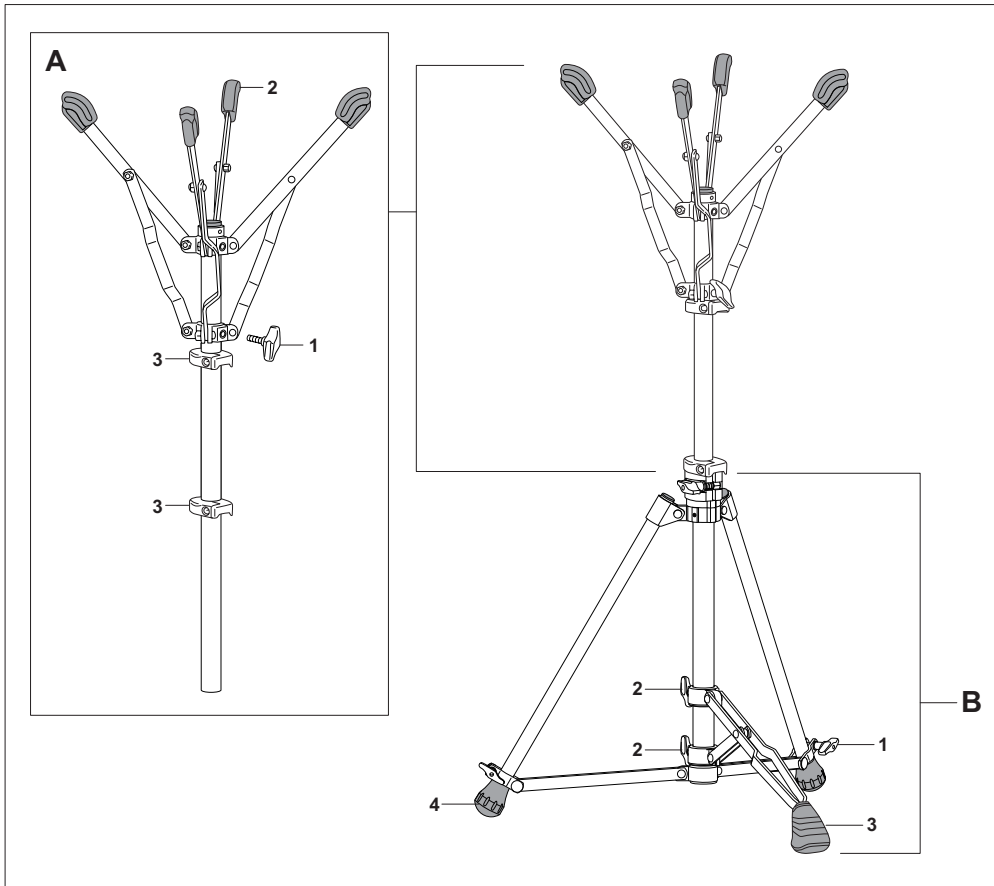
MTS-3000 MARCHING TENOR DRUM STAND



- | | | |
|----------|-----------------|--|
| A | MT-300A | Upper Joint Assy. Complete |
| 1 | SM-088A | Mounting Post Assy. Complete (one set) |
| 1-A | SM-088 | Mounting Post (one each) |
| 1-B | SM-091A | Upper & Lower Washer w/Nut (one set) |
| 2 | AL-75A | Stability Arm |
| 3 | UGB-815 | Die-Cast Wing Bolt |
| 4 | DC-580A | Stop Lock Complete |
| B | BA-300BW | Base Assy. Complete |
| 1 | SC-445A | Bolt & Nut Set (one each) |
| 2 | UGB-815S | Die-Cast Wing Bolt (one each) |
| 3 | RB-002 | Rubber Tip |
| 4 | NP-498 | Rubber Tip (one each) |

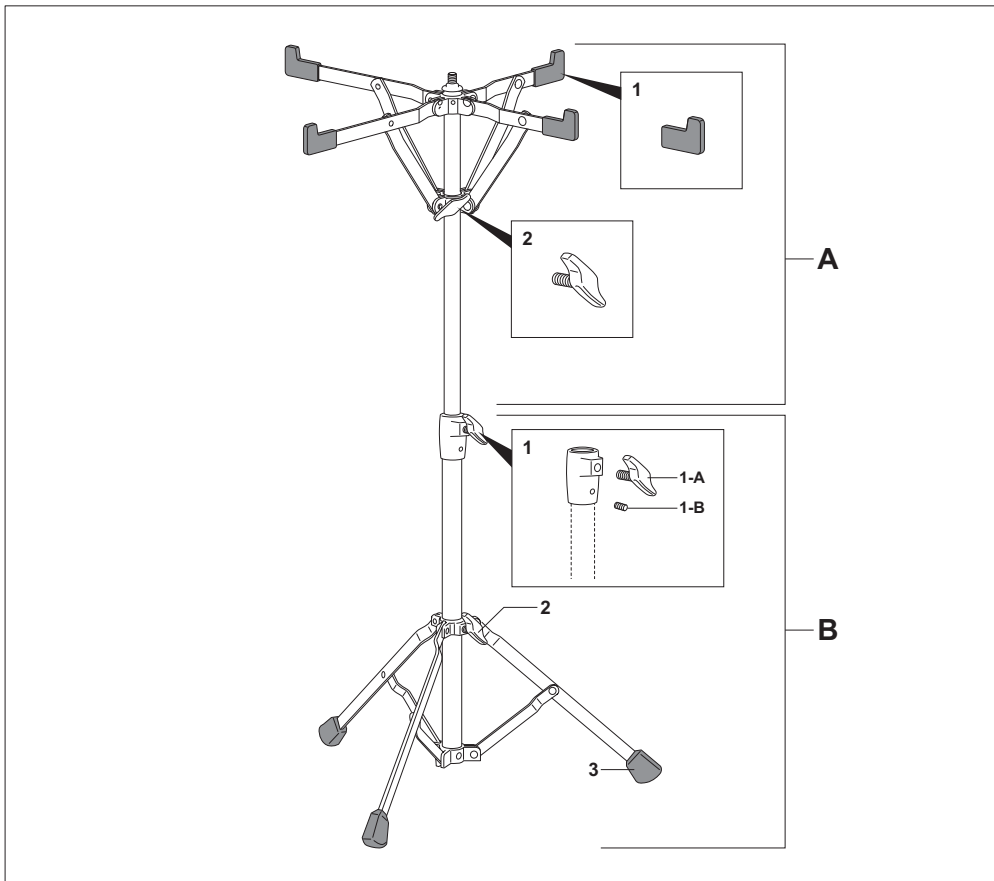
MARCHING STAND

MBS-3000 MARCHING BASS DRUM STAND



- | | | |
|----------|-----------------|--------------------------------|
| A | MB-300A | Basket Section Complete |
| 1 | UGB-815 | Die-Cast Wing Bolt |
| 2 | RB-030 | Rubber Tip (one each) |
| 3 | DC-580A | Stop Lock Complete |
| B | BA-300BW | Base Assy. Complete |
| 1 | SC-445A | Bolt & Nut Set (one each) |
| 2 | UGB-815S | Die-Cast Wing Bolt (one each) |
| 3 | RB-002 | Rubber Tip |
| 4 | NP-498 | Rubber Tip (one each)- |

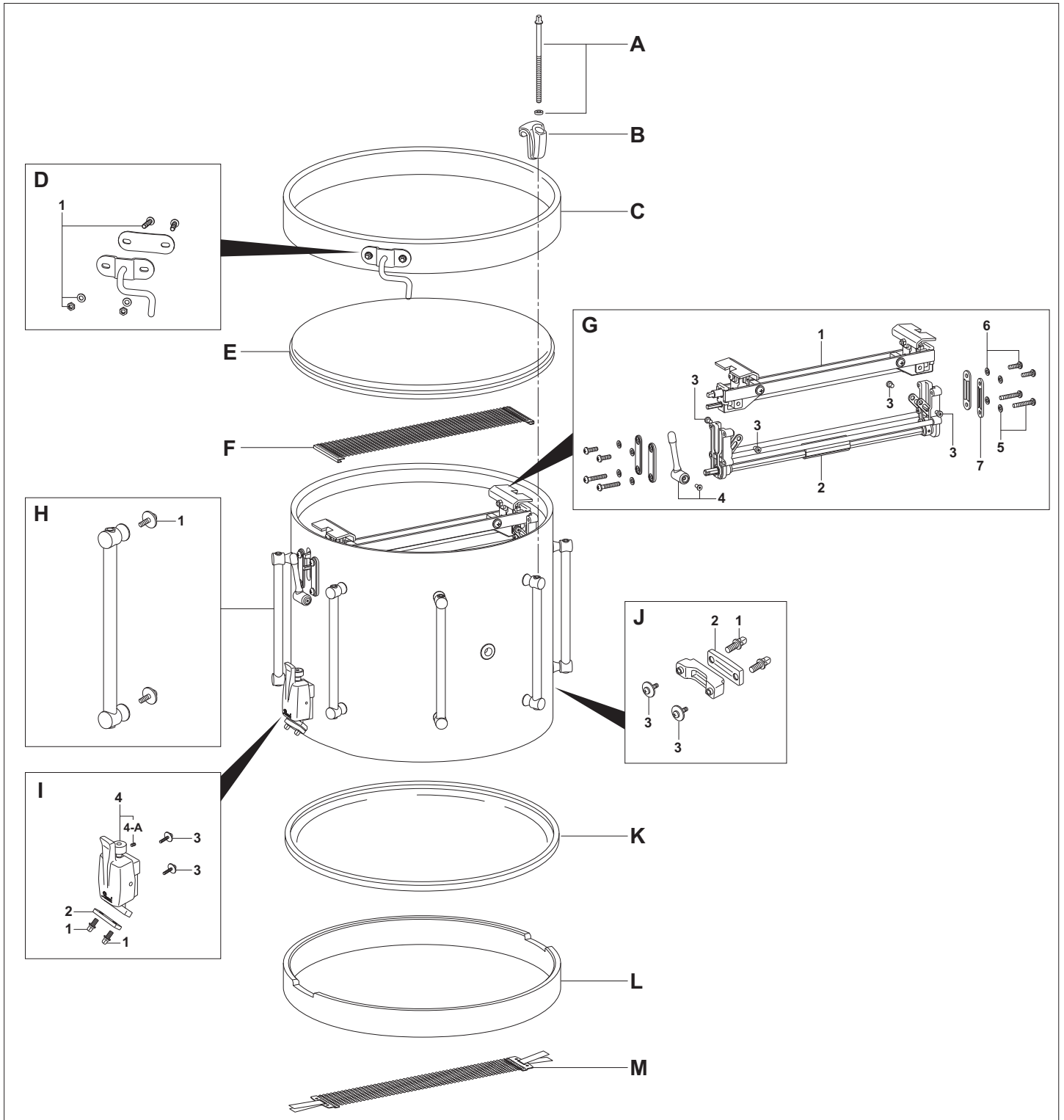
PKS-910 BELL / PRACTICE PAD STAND



- | | | |
|----------|-----------------|--------------------------------|
| A | UT-PKS91 | Bell/Practice Pad Stand |
| | | Upper Tube ONLY |
| 1 | PL-066 | Plastic Tip (one each) |
| 2 | UGB-815S | Wing Bolt |
| B | BA-S71 | Base Assy. Complete |
| 1 | PJ-83S | Die-Cast Joint Complete |
| 1-A | UGB-815S | Die-Cast Wing Bolt |
| 1-B | SB-44 | Allen Screw |
| 2 | UGB-815S | Die-Cast Wing Bolt |
| 3 | NP-12P | Rubber Tip (one each) |

VISCOUNT SERIES

VCS SNARE DRUM



A T-066 Tension Rod w/Washer (one set)

B CW-300PR Claw Hook (Batter Side)

CW-300 Claw Hook (Snare Side)

C RIM14VC-SB Batter Side Hoop w/Sling Hook

D PR-699A Sling Hook Assy. Complete

1 SC-190NWA Mounting Screw w/Washer & Nut (one set)

E BE-0214-00 Head

F S-505TC-PRC Top Snare Wires, 28 Strands (VCS1412TS ONLY)

G S-19JK Top Internal Snare Mechanism, Complete (VCS1412TS ONLY)

1 AL-77 Snare Rider Assy. Complete

2 SP-80A Mounting Assy. Complete

3 ME-781 Connecting Screw (one each)

4 ME-783A Top Internal Snare Mechanism Lever w/Screw

5 SC-447WA Mounting Screw w/Washer (one set)

6 SC-190WA Mounting Screw w/Washer (one set)

7 NP-500 Gasket, Red (one each)

NP-500C Gasket, Chrome (one each)

H TSP-12P/C Lug (one each)

1 SM-411 Mounting Screw w/Washer (one set)

I SR-15A Snare Rider Assy. Complete

1 KB-510 Key Bolt (one each)

2 SR-12D Snare Mounting Plate

3 SM-416 Mounting Screw w/Washer (one set)

4 ME-376A Knurled Knob w/Allen Screw

4-A SB-44 Allen Screw

J SR-18E Bottom Strainer, Butt Side Assy. Complete

1 KB-510 Key Bolt (one each)

2 SR-12D Snare Mounting Plate

3 SM-416 Mounting Screw w/Washer (one set)

K ST-14 Snare Side Head

L RIM14VC-SS Snare Side Hoop

M S-022 Bottom Snare Wires w/Straps

Lug (one each)

Mounting Screw w/Washer (one set)

Bottom Strainer, Throw-Off Side Assy. Complete

Key Bolt (one each)

Snare Mounting Plate

Mounting Screw w/Washer (one set)

Knurled Knob w/Allen Screw

Allen Screw

Bottom Strainer, Butt Side Assy. Complete

Key Bolt (one each)

Snare Mounting Plate

Mounting Screw w/Washer (one set)

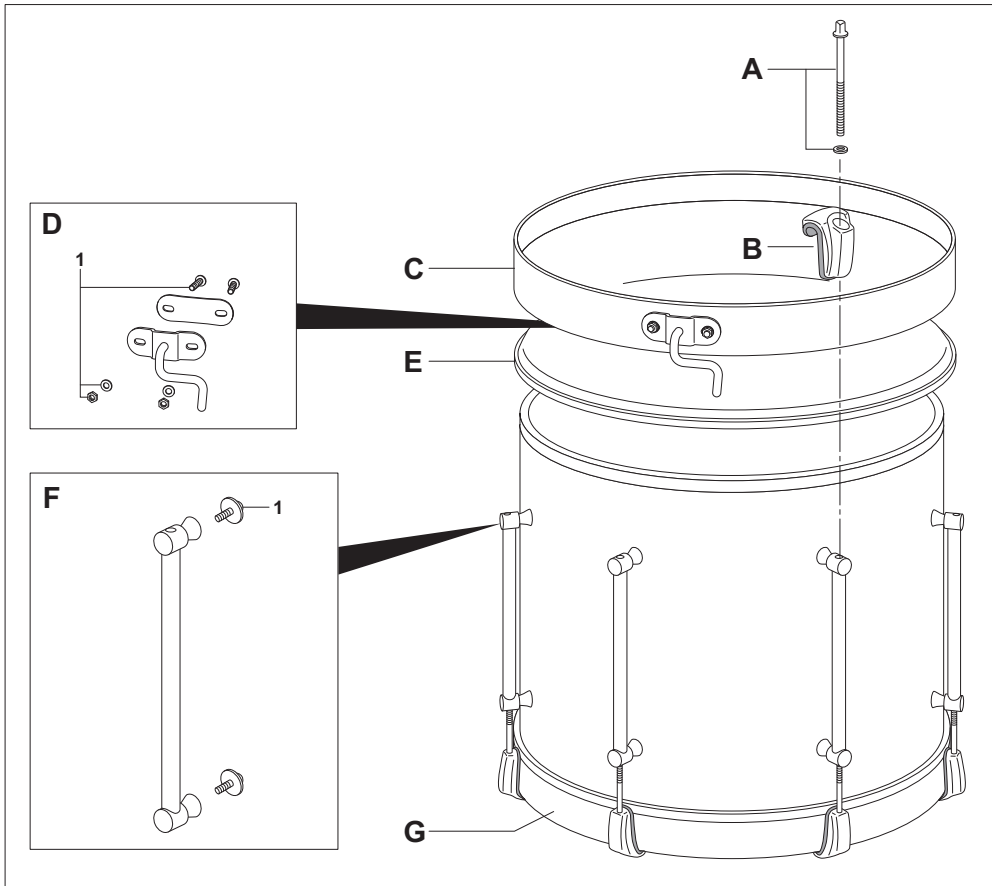
Snare Side Head

Snare Side Hoop

Bottom Snare Wires w/Straps

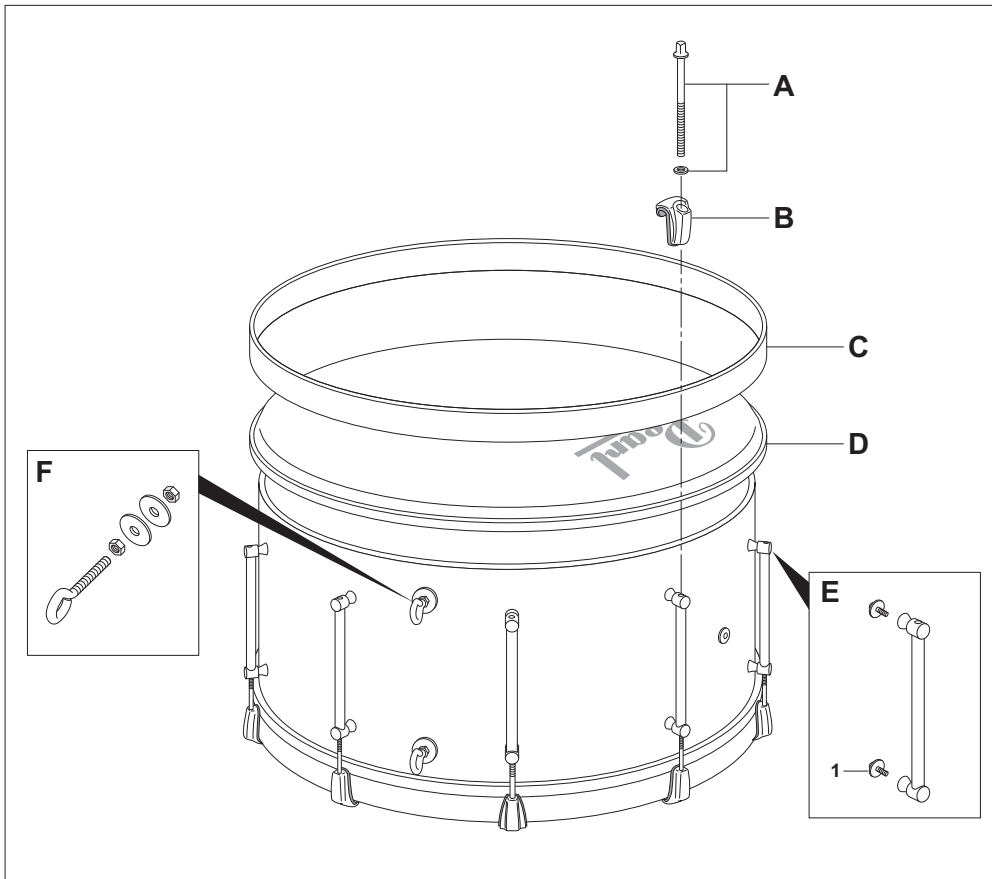
VISCOUNT SERIES

VCT TENOR DRUM



- A T-066 M6x115mm Tension Rod w/Washer
- B CW-300 Die-Cast Claw Hook w/Rubber Gasket
- C RIM15VC-SB 15" Batter Side Hoop w/Sling Hook
RIM16VC-SB 16" Batter Side Hoop w/Sling Hook
- D PR-699A Sling Hook Assy. Complete
- 1 SC-190NWA Mounting Screw w/Washer & Nut (one set)
- E PM-1015-MP Remo 15" Powermax Drum Head
PM-1016-MP Remo 16" Powermax Drum Head
- F TSP-12P/C Aluminum Slim Line Tube Lug
1 SM-411 Mounting Screw w/Washer (one set)
- G RIM15VC-SS 15" Bottom Side Hoop
RIM16VC-SS 16" Bottom Side Hoop

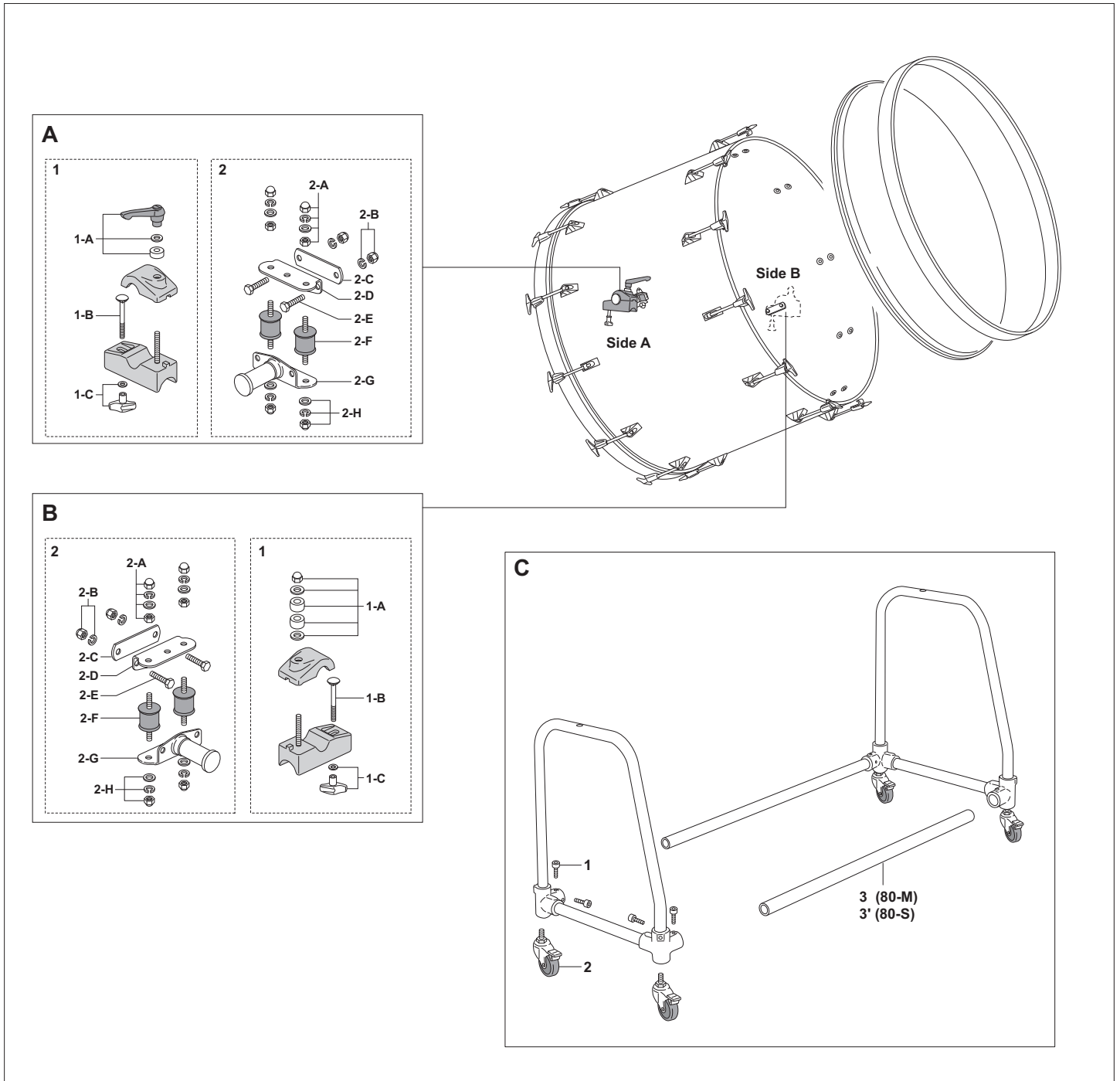
VCB BASS DRUM



- A T-066 M6x115mm Tension Rod w/Washer (10"/12" Depth Bass Drum)
T-067 M6x135mm Tension Rod w/Washer (14" Depth Bass Drum)
- B CW-300 Die-Cast Claw Hook w/Rubber Gasket
- C RIM26VC-S 26" Bass Drum Hoop (40mm Width)
RIM28VC-S 28" Bass Drum Hoop (40mm Width)
- D PM-1026-MP 26" Remo Powermax Drum Head
PM-1028-MP 28" Remo Powermax Drum Head
- E TSP-10P/C Aluminum Slim Line Tube Lug, 10" Depth
TSP-12P/C Aluminum Slim Line Tube Lug, 12" & 14" Depth
1 SM-411 Mounting Screw w/Washer (one set)
- F EB-2 Eye Bolt Assy. Complete

CONCERT BASS DRUM STANDS

CBS-80M / 80S



A CBS-80AS Stand Bracket Assy. Complete, Side A

- 1 CBS-80A Stand Bracket ONLY
- 1-A SC-338A Bracket Handle Assy.
- 1-B SC-160 Bolt
- 1-C UGN-8 Die-Cast Wing Nut & Washer
- 2 CBS-80SS Suspension Bracket Assy. Complete
- 2-A CBS-NU6D Nut Assy. (one set)
- 2-B CBS-NU6E Nut Assy. (one set)
- 2-C PR-577 Steel Backing Plate
- 2-D PR-576 Suspension Bracket Top Plate
- 2-E SC-336 Bolt (one each)
- 2-F NP-313 Suspension Rubber w/Bolt (one each)
- 2-G PR-576N Suspension Bracket Bottom Plate and Post
- 2-H CBS-NU6K Nut Assy. (one set)

B CBS-80BS Stand Bracket Assy. Complete, Side B

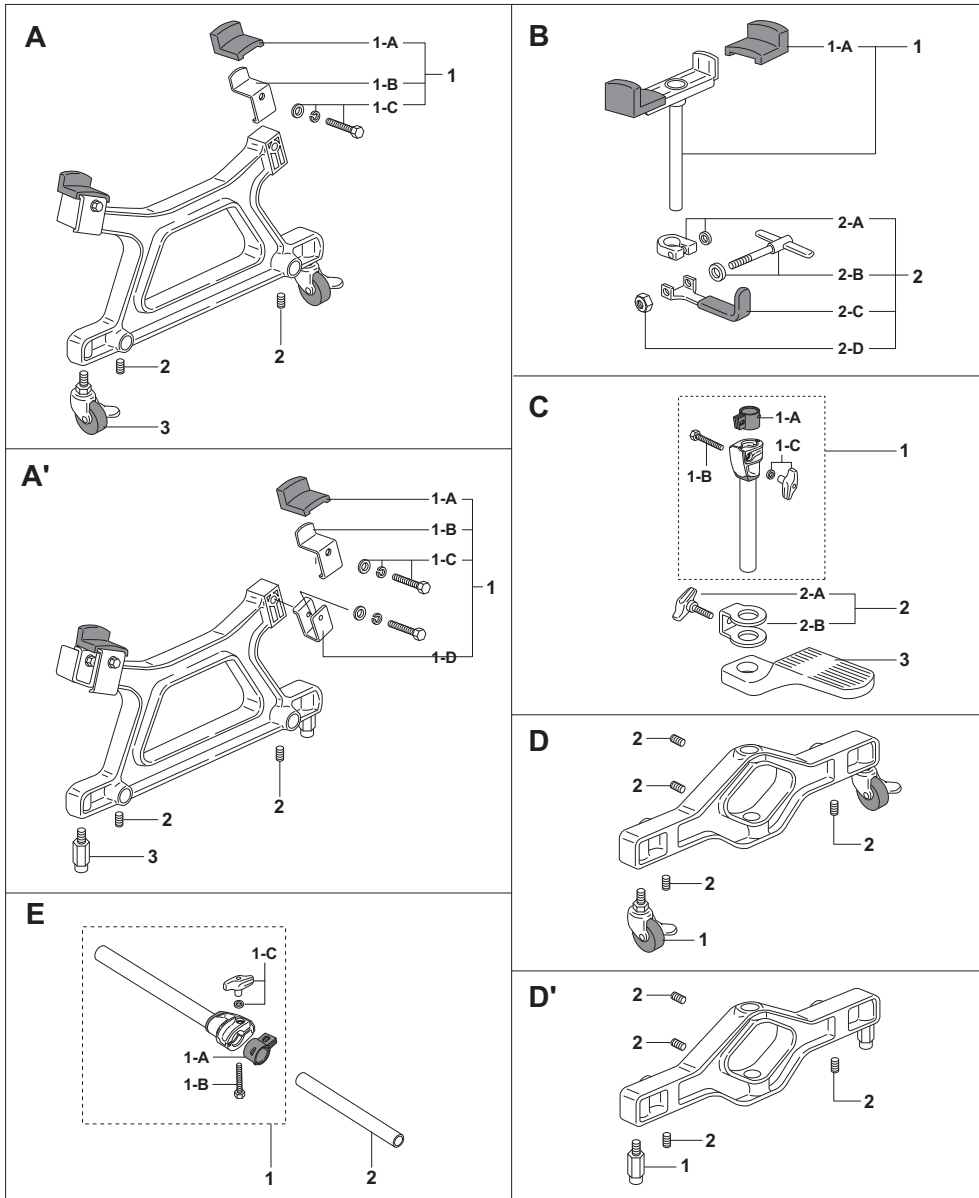
- 1 CBS-80B Stand Bracket ONLY
- 1-A CBS-NU6A Nut Assy. (one set)
- 1-B SC-160 Bolt
- 1-C UGN-8 Die-Cast Wing Nut w/Washer
- 2 CBS-80SS Suspension Bracket Assy. Complete
- 2-A CBS-NU6D Nut Assy. (one set)
- 2-B CBS-NU6E Nut Assy. (one set)
- 2-C PR-577 Steel Backing Plate
- 2-D PR-576 Suspension Bracket Top Plate
- 2-E SC-336 Bolt (one each)
- 2-F NP-313 Suspension Rubber w/Bolt (one each)
- 2-G PR-576N Suspension Bracket Bottom Plate and Post
- 2-H CBS-NU6K Nut Assy. (one set)

C CBS-80CM Frame Assy. Complete

- 1 SC-334 Setting Bolt (one each)
- 2 WL-5 Caster w/Stopper (one each)
- 3 PP-186M Pipe (CBS-80M)
- 3' PP-186S Pipe (CBS-80S)

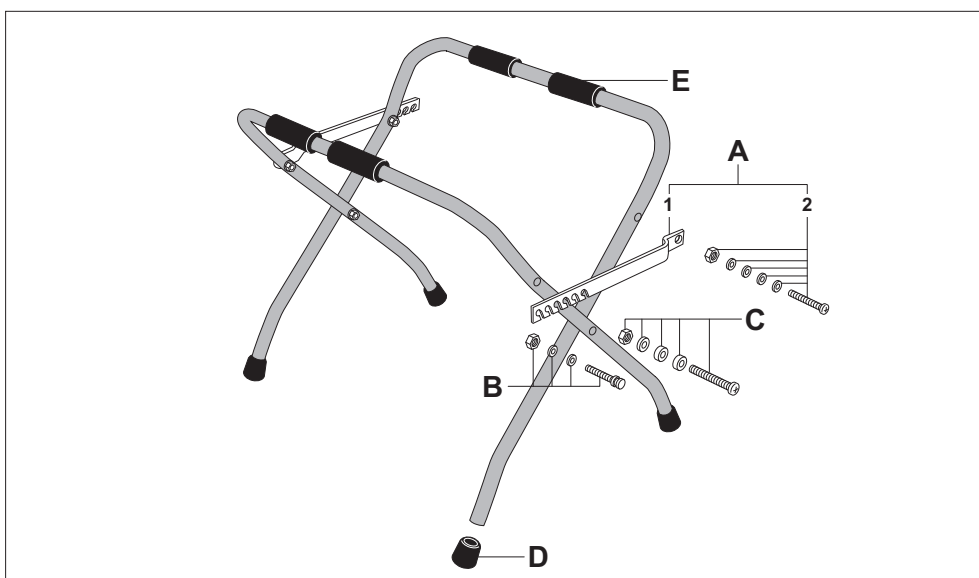
CONCERT BASS DRUM STANDS

CBS-38C / CBS-38A



- | | | |
|-----------|-----------------|---|
| A | DC-302A | Base Drum Receiver Assy. (CBS-38C) |
| 1 | CBH-1A | Bass Drum Holder Assy. |
| 1-A | NP-166 | Rubber Sleeve |
| 1-B | PR-284 | Holder Plate |
| 1-C | SC-170A | Bolt w/Washers (one set) |
| 2 | SB-55 | Allen Screw (one each) |
| 3 | CBS-1C | Caster (one each) |
| A' | DC-302AC | Base Drum Receiver Assy. (CBS-38A) |
| 1 | CBH-1A | Bass Drum Holder Assy. |
| 1-A | NP-166 | Rubber Sleeve |
| 1-B | PR-284 | Holder Plate |
| 1-C | SC-170A | Bolt w/Washers (one set) |
| 1-D | AL-25 | U-Shaped Clamp |
| 2 | SB-55 | Allen Screw (one each) |
| 3 | ME-509 | Spike (one each) |
| B | CBU-1A | Upper Tube Assy. Complete |
| 1 | PR-285NBA | Upper Tube Assy. |
| 1-A | NP-166 | Rubber Sleeve (one each) |
| 2 | CBU-HK | Hook Assy. |
| 2-A | DC-495B | Stop Lock Ring w/Spacer |
| 2-B | ME-310A | Handle Bolt w/Washer |
| 2-C | PR-286A | Hook |
| 2-D | NU-16B | Hexagonal Nut |
| C | CA-1 | Lower Tube Assy. Complete |
| 1 | JA-1S | Tube Assy. Complete |
| 1-A | NP-366 | Nylon Bushing |
| 1-B | SC-169 | Clamp Bolt |
| 1-C | UGN-6 | Die-Cast Wing Nut w/Washer |
| 2 | PR-96NA | Bracket Assy. for Foot Rest |
| 2-A | UGB-820 | Die-Cast Wing Bolt |
| 2-B | PR-96T | Bracket for Foot Rest |
| 3 | SCB-3FB | Foot Rest ONLY |
| D | DC-303A | Base Assy. Complete (CBS-38C) |
| 1 | CBS-1C | Caster (one each) |
| 2 | SB-55 | Allen Screw (one each) |
| D' | DC-303AC | Base Assy. Complete (CBS-38A) |
| 1 | ME-509 | Spike (one each) |
| 2 | SB-55 | Allen Screw (one each) |
| E | PA-1 | Adjustment Tube Assy. Complete |
| 1 | JA-1L | Tube Assy. Complete |
| 1-A | NP-366 | Nylon Bushing |
| 1-B | SC-169 | Clamp Bolt |
| 1-C | UGN-6 | Die-Cast Wing Nut w/Washer |
| 2 | PP-68 | Pipe ONLY |

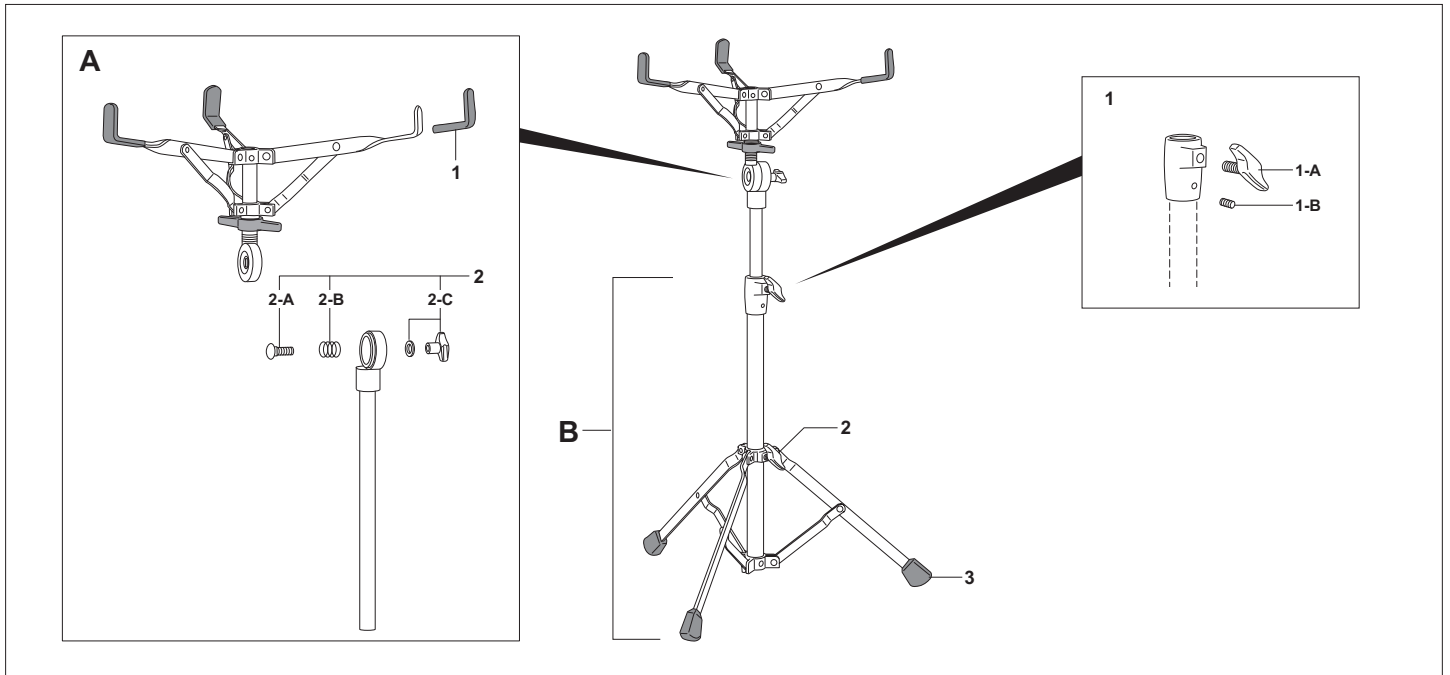
CBS-15



- | | | |
|----------|------------------|------------------------------------|
| A | CBS-15AJA | Adjustment Bar Complete |
| 1 | CBS-15AJ | Adjustment Bar ONLY |
| 2 | CBS-15BW | Bar Mounting Screw w/Washers & Nut |
| B | CBS-15FB | Socket Screw Set |
| C | CBS-15SB | Connecting Screw Set |
| D | NP-167A | Rubber Tip (one each) |
| E | NP-165 | Rubber Sleeve (one each) |

CONCERT SNARE DRUM STAND

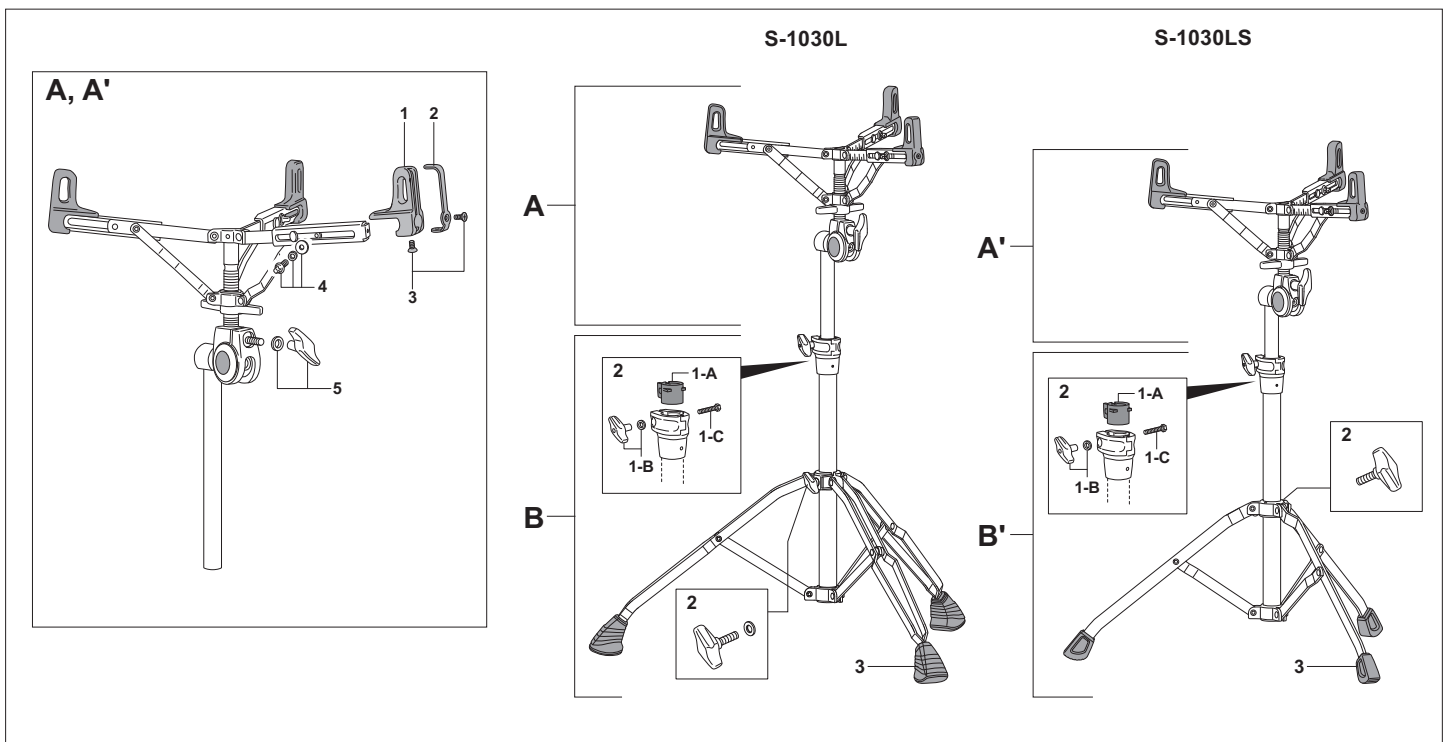
S-710



- A S-71A Basket Complete**
 1 NP-09 Rubber Sleeve (one each)
 2 SN-70NA Bolt & Nut Set w/Spring
 2-A SC-36B Clamp Bolt
 2-B SG-007N Spring
 2-C UGN-8 Die-Cast Wing Nut w/Washer

- B BA-S71 Base Assy. Complete**
 1 PJ-83S Die-Cast Joint Complete
 1-A UGB-815S Die-Cast Wing Bolt
 1-B SB-44 Allen Screw
 2 UGB-815S Die-Cast Wing Bolt
 3 NP-12P Rubber Tip (one each)

S-1030L / 1030LS



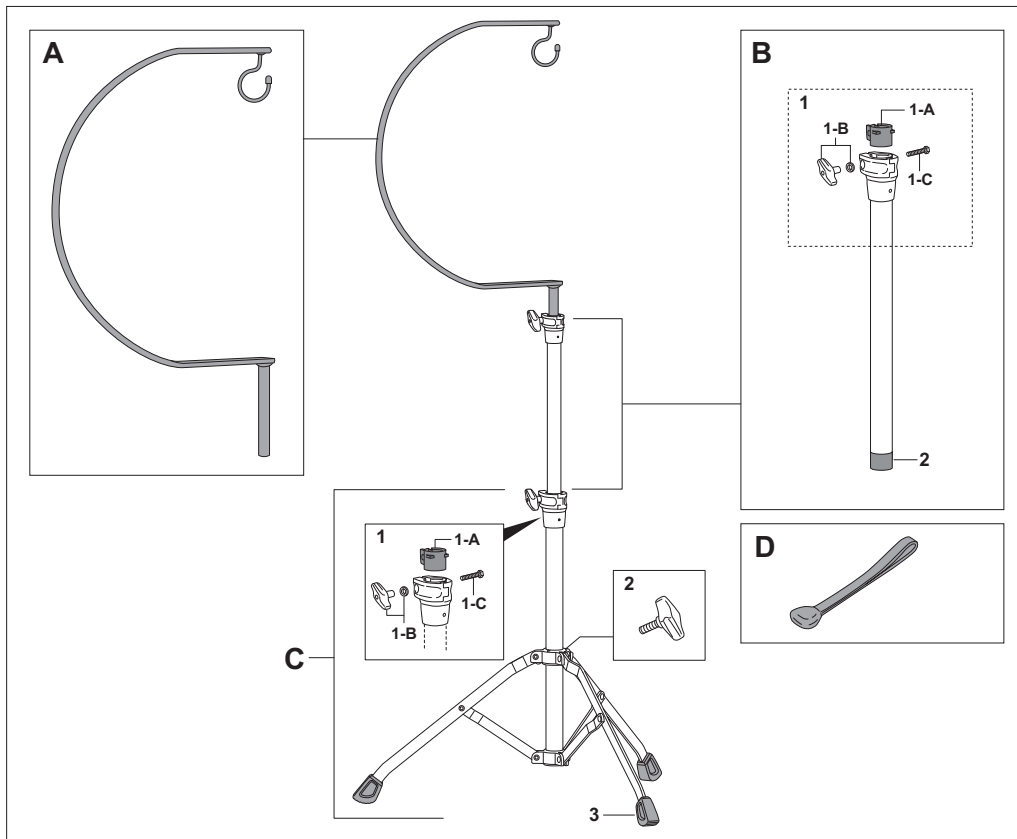
- A S-103A Basket Complete**
A' S-103LSA Basket Complete
 1 NP-320 Rubber Sleeve (one each)
 2 PR-573 Rubber Sleeve Support Plate
 3 SC-363 Screw (one each)
 4 KB-615W Key Bolt w/Washers
 5 UGN-8L Die-Cast -Wing Nut w/Washer

- B BA-S103L Base Assy. Complete (S-1030L)**
 1 PJ-100L Die-Cast Joint Assy. Complete
 1-A NP-366 Nylon Bushing
 1-B UGN-6 Die-Cast Wing Nut w/Washer
 1-C SC-169 Clamp Bolt
 2 UGB-815SW Die-Cast Wing Bolt w/Washer
 3 RB-001 Rubber Tip (one each)

- B' BA-S103LS Base Assy. Complete (S-1000LS)**
 1 PJ-100L Die-Cast Joint Assy. Complete
 1-A NP-366 Nylon Bushing
 1-B UGN-6 Die-Cast Wing Nut w/Washer
 1-C SC-169 Clamp Bolt
 2 UGB-815S Die-Cast Wing Bolt
 3 RB-016 Rubber Tip (one each)

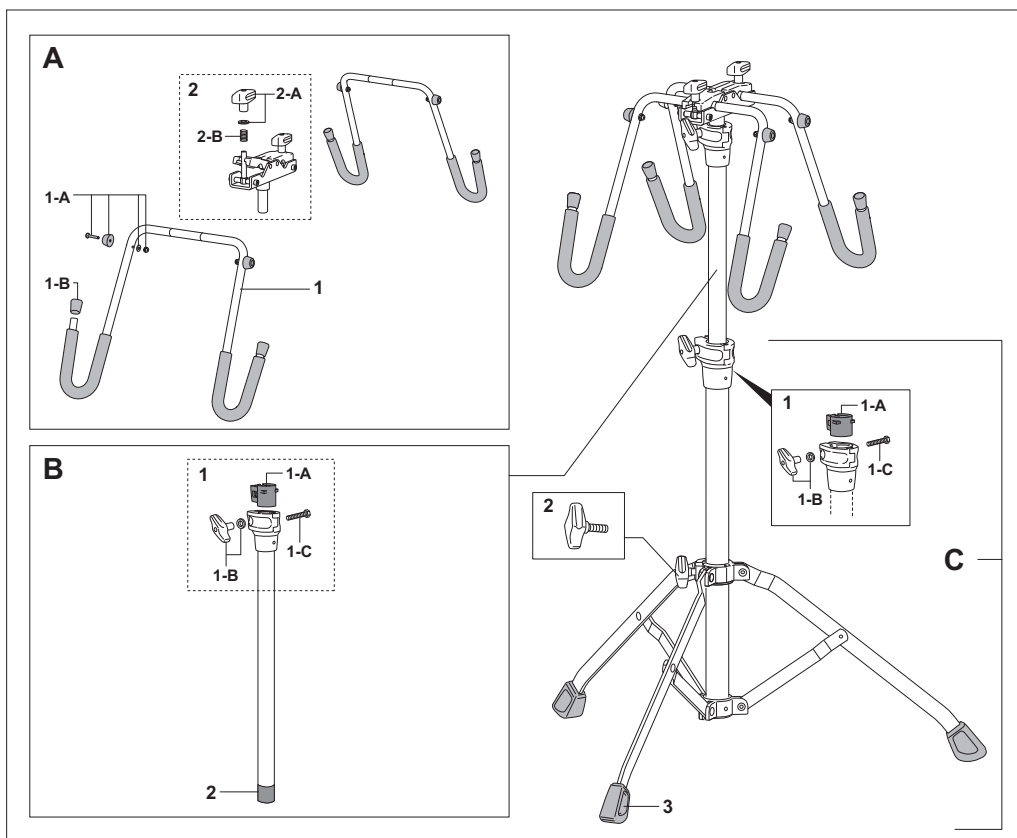
CONCERT CYMBAL STAND

C-1030SC



- | | | |
|----------|-----------------|-----------------------------------|
| A | C-103GNA | Goose Neck Assy. |
| B | CT-103 | Center Tube Assy. Complete |
| 1 | PJ-100S | Die-Cast Joint Assy. Complete |
| 1-A | NP-367 | Nylon Bushing |
| 1-B | UGN-6 | Die-Cast Wing Nut w/Washer |
| 1-C | SC-169 | Clamp Bolt |
| 2 | NP-376 | Plastic Tip |
| C | BA-103S | Base Assy. Complete |
| 1 | PJ-100L | Die-Cast Joint Assy. Complete |
| 1-A | NP-366 | Nylon Bushing |
| 1-B | UGN-6 | Die-Cast Wing Nut w/Washer |
| 1-C | SC-169 | Clamp Bolt |
| 2 | UGB-815S | Die-Cast Wing Bolt |
| 3 | RB-016 | Rubber Tip (one each) |
| D | NP-435 | Cymbal Suspension Strap |

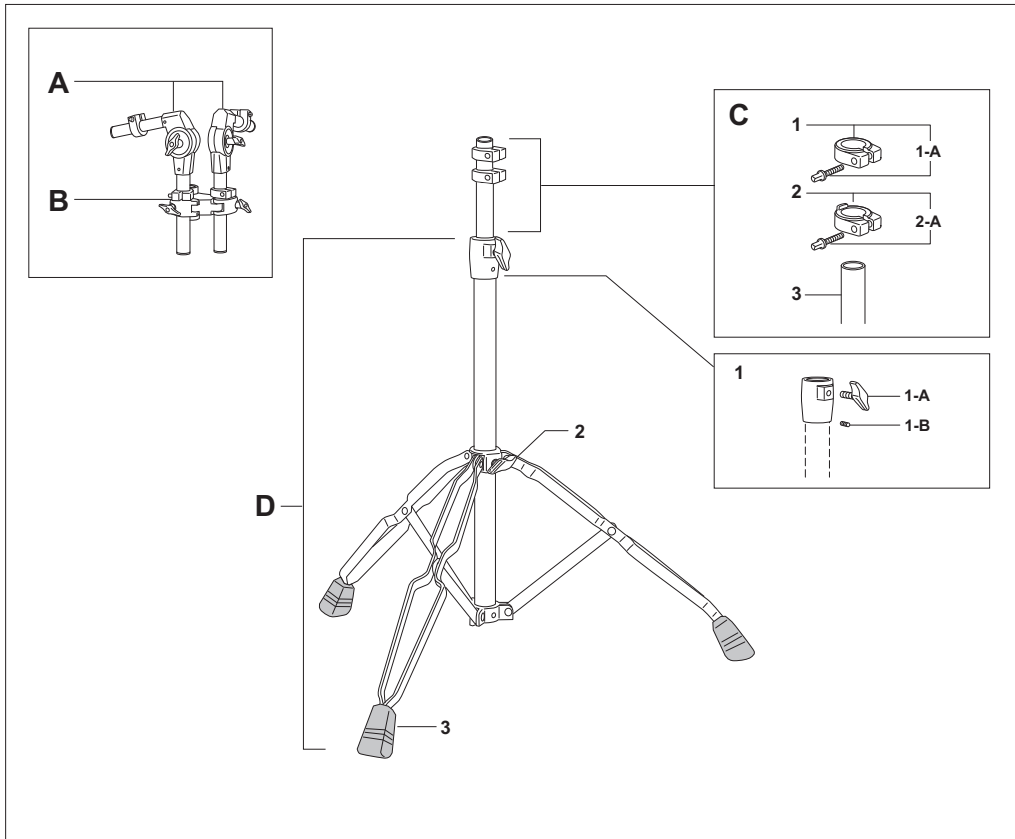
C-1030AC



- | | | |
|----------|----------------|-------------------------------------|
| A | C-103AA | Cymbal Cradle Assy. Complete |
| 1 | C-103ACA | Cymbal Cradle ONLY |
| 1-A | RB-023A | Clamp Bolt w/Washer |
| 1-B | NP-72 | Stabilizing Rubber Washer |
| 2 | C-103AHC | Cymbal Cradle Mount |
| 2-A | UGN-8 | Die-Cast Wing Nut w/Washer |
| 2-B | SG-009 | Spring |
| B | CT-103 | Center Tube Assy. Complete |
| 1 | PJ-100S | Die-Cast Joint Assy. Complete |
| 1-A | NP-367 | Nylon Bushing |
| 1-B | UGN-6 | Die-Cast Wing Nut w/Washer |
| 1-C | SC-169 | Clamp Bolt |
| 2 | NP-376 | Plastic Tip |
| C | BA-103S | Base Assy. Complete |
| 1 | PJ-100L | Die-Cast Joint Assy. Complete |
| 1-A | NP-366 | Nylon Bushing |
| 1-B | UGN-6 | Die-Cast Wing Nut w/Washer |
| 1-C | SC-169 | Clamp Bolt |
| 2 | UGB-815S | Die-Cast Wing Bolt |
| 3 | RB-016 | Rubber Tip (one each) |

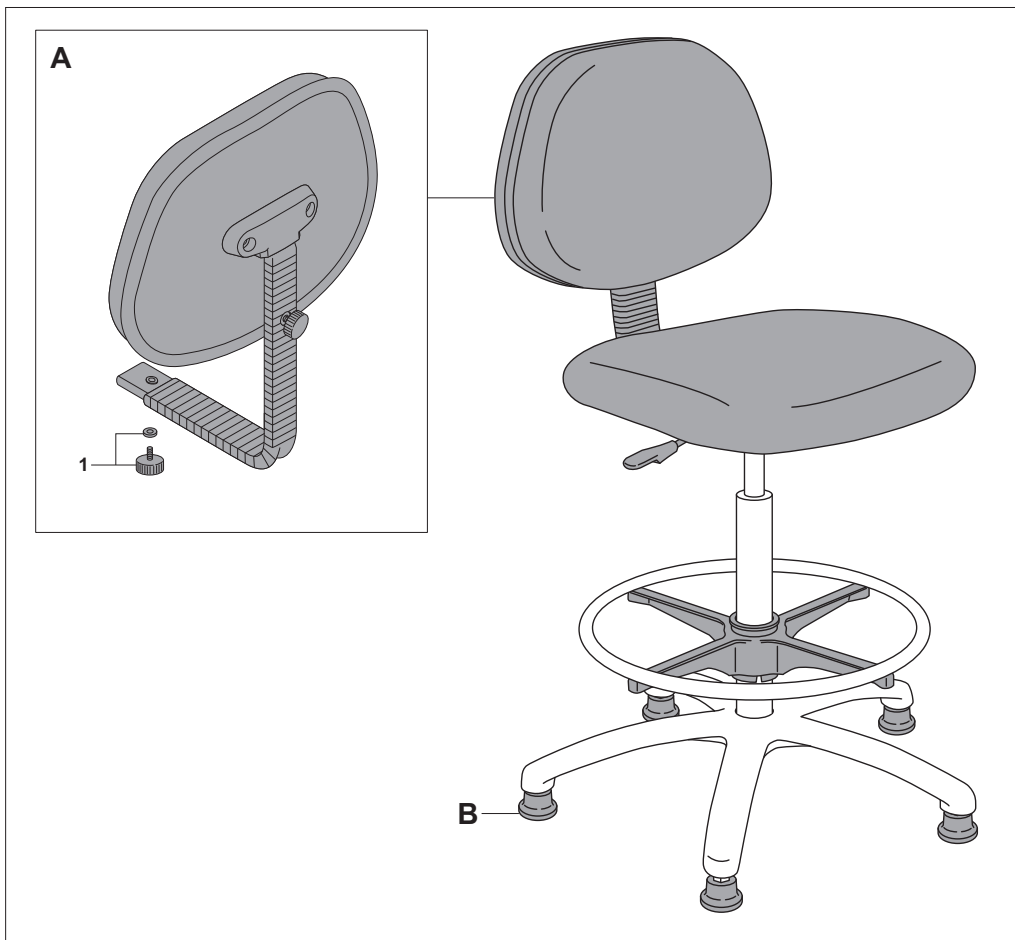
TOM STAND AND TIMPANI THRONE

T-890 TOM STAND



- | | | |
|----------|---------------|------------------------------------|
| A | TH-88S | Tom Holder/Short (one each) |
| B | ADP-30 | Adapter |
| C | UT-T89 | Upper Tube Assy. Complete |
| 1 | ZD-081TA | Upper Stop Lock, Complete |
| 1-A | KB-625 | Key Bolt |
| 2 | ZD-081A | Lower Stop Lock, Complete |
| 2-A | KB-625 | Key Bolt |
| 3 | TU-90T | Upper Tube ONLY |
| D | BA-89 | Base Assy. Complete |
| 1 | DJ-75A | Die-Cast Joint Assy. Complete |
| 1-A | UGB-815 | Die-Cast Wing Bolt |
| 1-B | SB-44 | Allen Screw |
| 2 | UGB-815S | Die-Cast Wing Bolt |
| 3 | RB-008 | Rubber Tip (one each) |

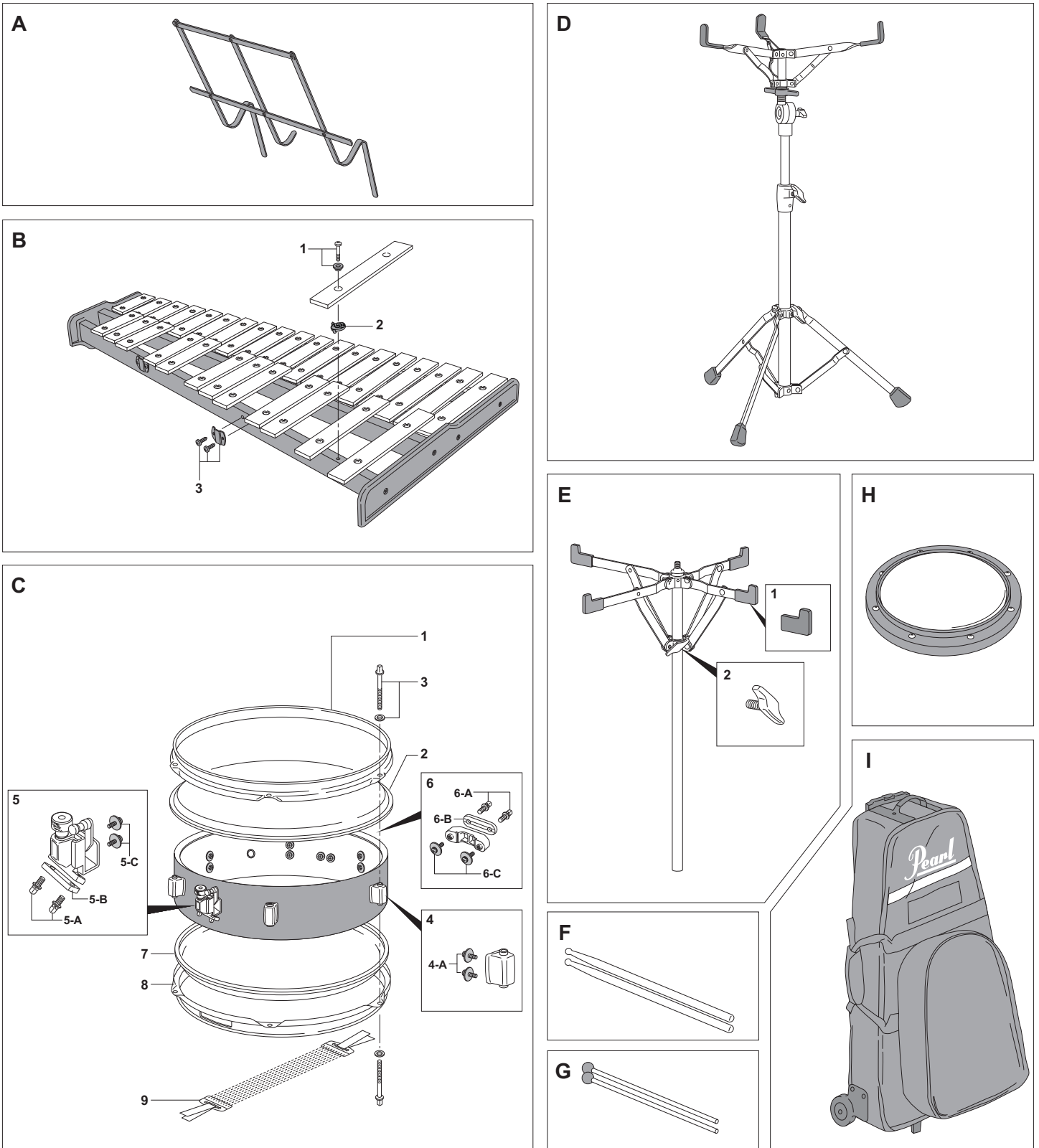
D-3000TC TIMPANI THRONE



- | | | |
|----------|----------------|------------------------|
| A | NP-540A | Back Rest Assy. |
| 1 | SC-493A | Knob Bolt w/Washer |
| B | KW-TP | Rubber Tip |

EDUCATIONAL KITS

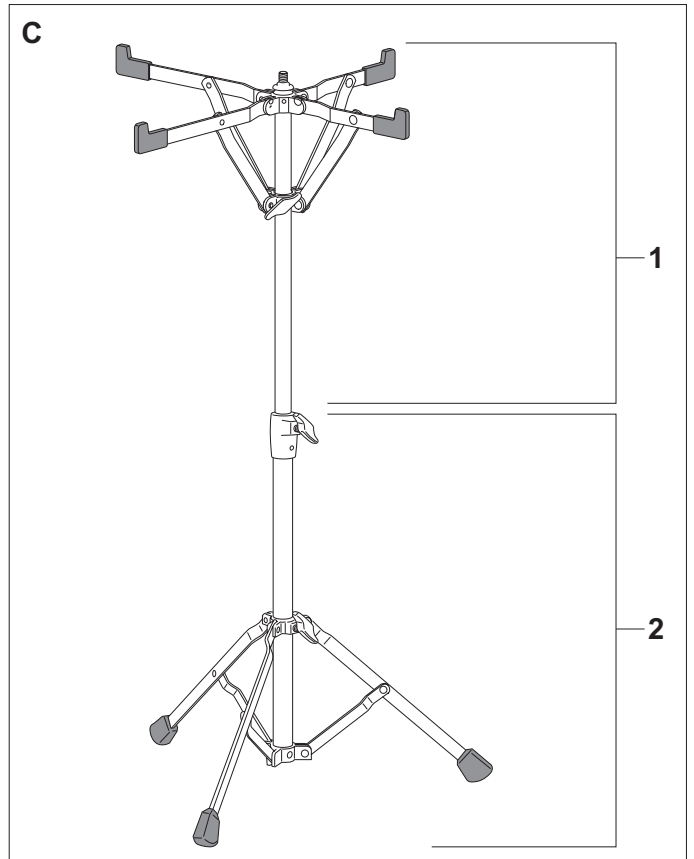
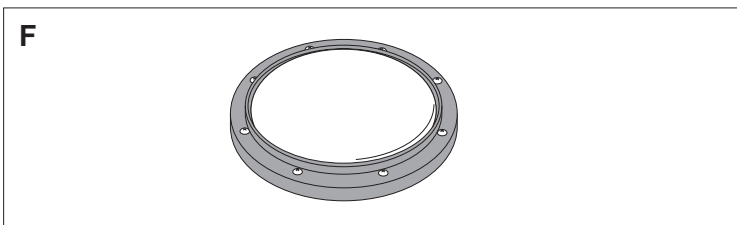
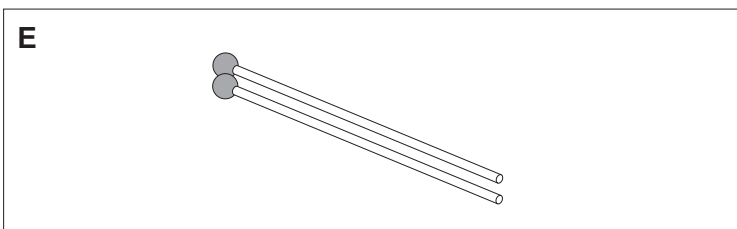
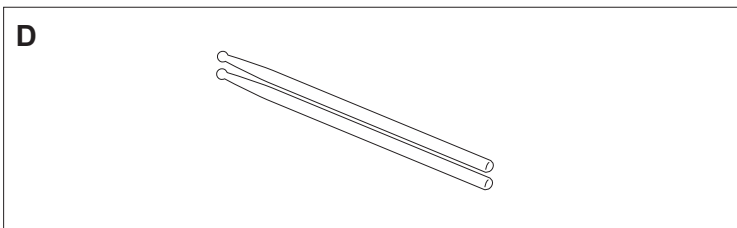
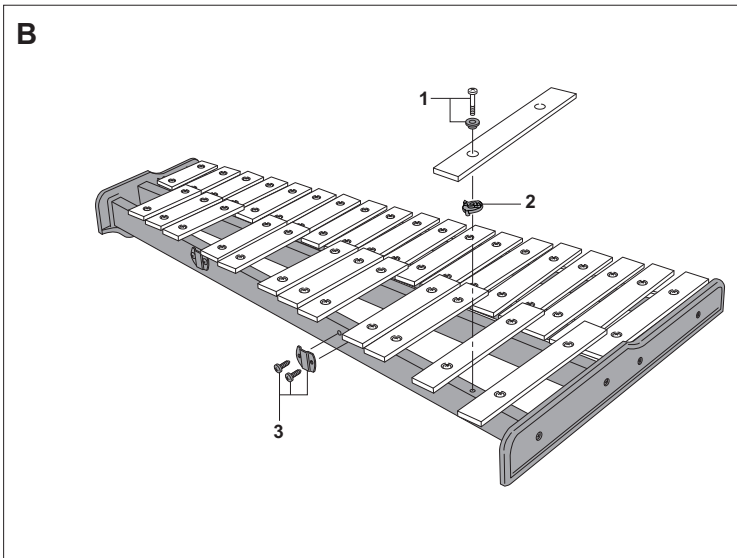
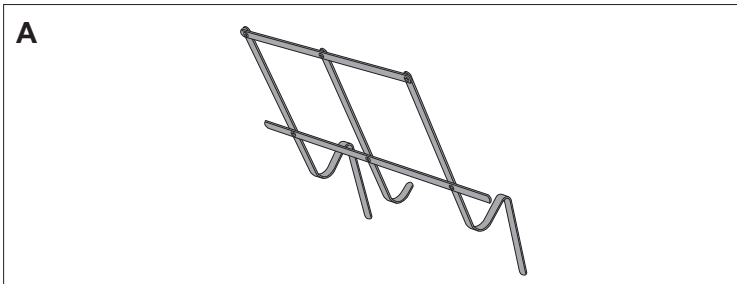
PL-910C / PERCUSSION LEARNING CENTER



A	PKBH-2A	Music Holder	5	SR-018A	Release Side Assy. Complete	D	S-710	Snare Drum Stand
B	PKBH-32	Bell Section Complete	5-A	KB-508	Key Bolt (one each)	E	UT-PKS91	Bell / Practice Pad Stand
	1	PKBH-1B	5-B	SR-12D	Snare Mounting Plate		1	Upper Tube ONLY
	2	RB-025	5-C	SM-414B	Mounting Screw w/Washer (one each)		2	Plastic Tip (one each)
	3	PRH-666	6	SR-700B	Butt Side Assy. Complete			Wing Bolt
C	EKW1355S/C	13"x3.5" Snare Drum	6-A	KB-510	Key Bolt (one each)		1	Sticks (pair)
	1	RH-1306	6-B	ZD-012	Snare Mounting Plate		2	Mallet (pair)
	2	AUC-0113-BD	6-C	SM-414B	Mounting Screw w/Washer (one each)		F	8" Tunable Practice Pad
	3	T-060	7	AUC-0313-SA	13" Snare Side Head			Trolley Bag
	4	CL-05	8	RH-1306S	13" Steel Hoop, 6 Tension, Snare Side			
	4-A	SM-414B	9	SN-1316	Snare Wire w/Straps (13")			

EDUCATIONAL KITS

PK-910 / PK-910C / PERCUSSION KIT



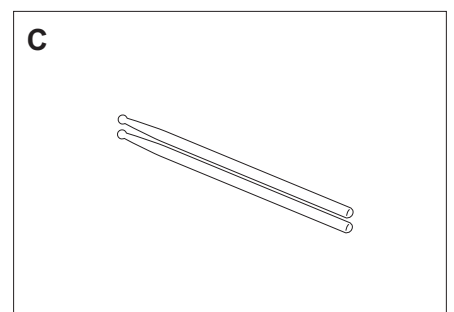
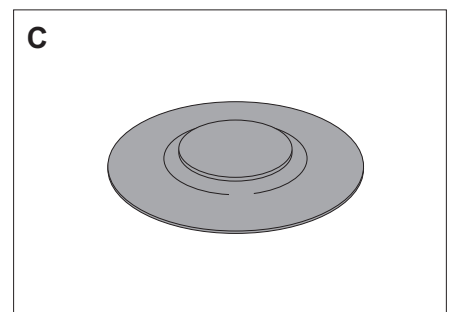
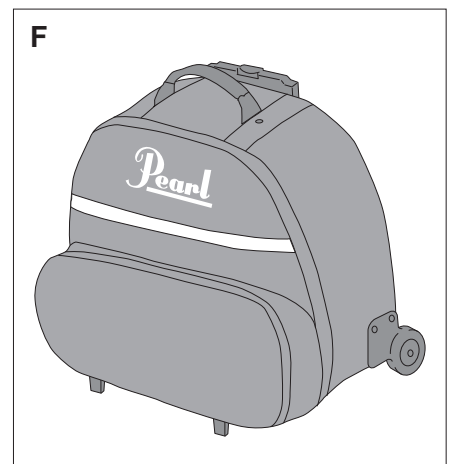
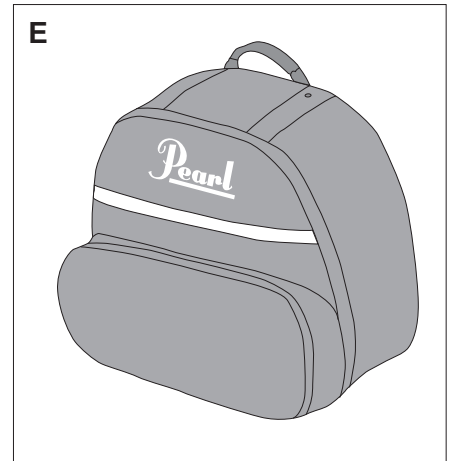
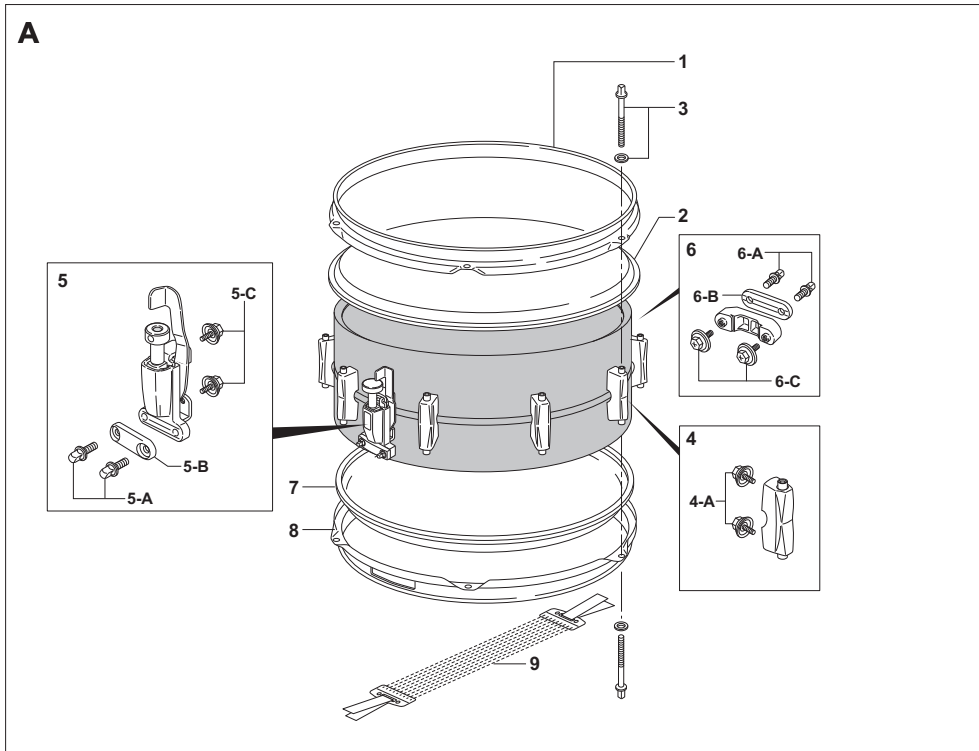
- A** PKBH-2A Music Holder
- B** PKBH-32 Bell Section Complete
- 1 PKBH-1B Screw for Bell w/Rubber Cap (one set)
- 2 RB-025 Rubber Spacer
- 3 PRH-666 Clip for Music Holder w/Screws (one set)

- D** SPK-5A Sticks (pair)
- E** PXBH-5 Mallet (pair)
- F** RT-08PL 8" Tunable Practice Pad
- G** PKB-91 Carrying Bag
- H** PKBC-91 Trolley Bag

- C** PKS-910 Bell/Practice Pad Stand
- 1 UT-PKS91 Bell/Practice Pad Stand Upper Tube ONLY
- 2 BA-S71 Plastic Butterfly Nut

EDUCATIONAL KITS

SK-910 / SK-910C / SNARE KIT



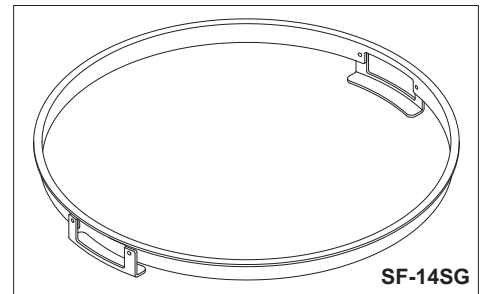
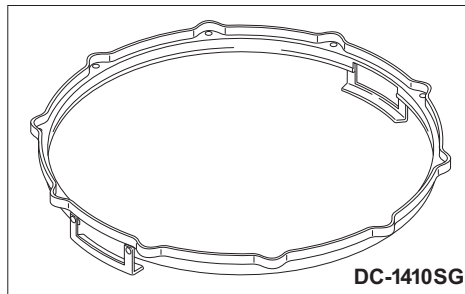
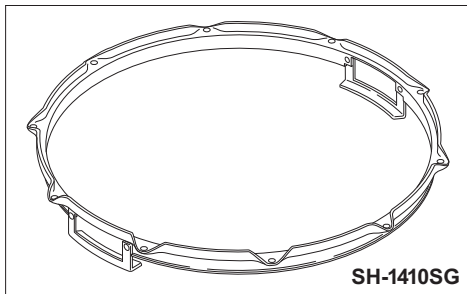
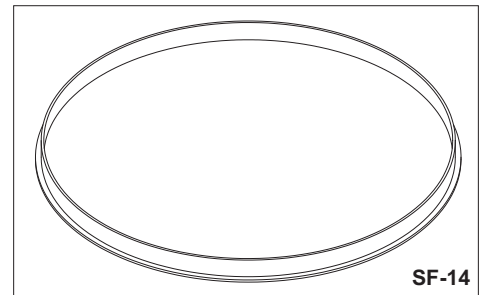
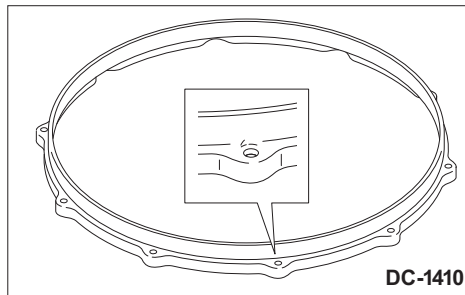
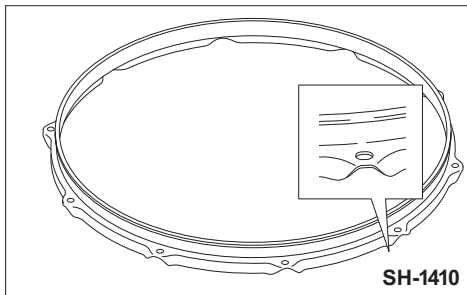
A	EKS1455	14"x5.5" Steel Snare Drum	B	S-710	Snare Drum Stand
1	RH-1408	14" Steel Hoop, 8 Tension	C	RPG-14	14" Two Level Rubber Pad
2	AUC-0114-BD	14" Remo Coated Head, Diplomat	D	SPK-5A	Sticks (pair)
3	T-062	Tension Rod w/Washer (one each)	E	SKB-91	Carrying Bag
4	NEL-55	Tension Lug w/Screws	F	SKBC-91	Trolley Bag
4-A	SM-411C	Mounting Screw w/Washer (one set)			
5	SR-700A	Release Side Assy. Complete			
5-A	KB-510	Key Bolt (one each)			
5-B	ZD-012	Snare Mounting Plate			
5-C	SM-411C	Mounting Screw w/Washer (one each)			
6	SR-700B	Butt Side Assy. Complete			
6-A	KB-510	Key Bolt (one each)			
6-B	ZD-012	Snare Mounting Plate			
6-C	SM-411C	Mounting Screw w/Washer (one each)			
7	AUC-0314-SA	14" Remo Snare Side Head			
8	RH-1408S	14" Steel Hoop, 8 Tension, Snare Side			
9	SNW-14	Snare Wire w/Straps (14")			

SNARE DRUM PARTS

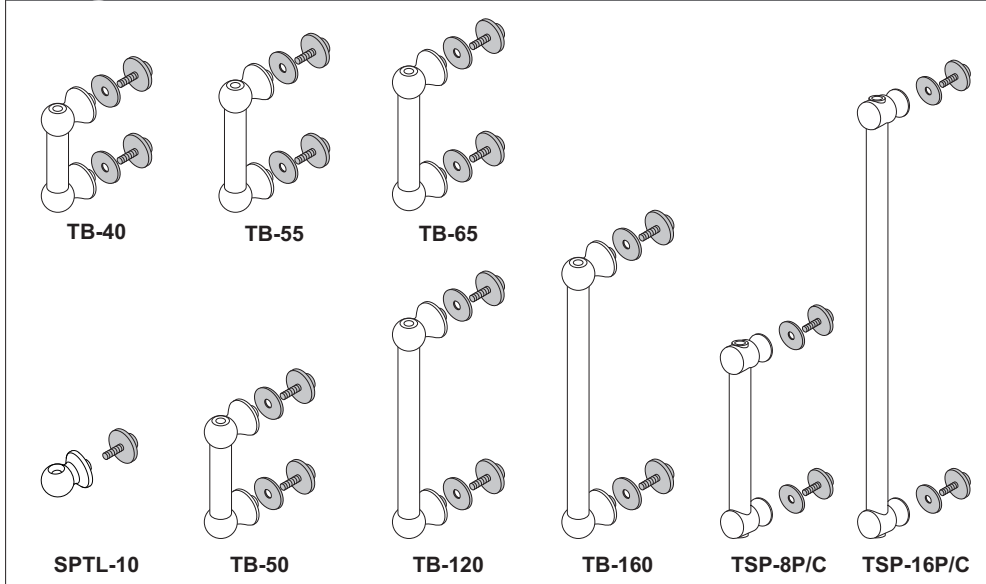
CONCERT SNARE DRUM SPEC

	Model	Size	Shell	Hoops	Snare Guard	Lugs	Mounting Screws	Tension Rods	Claw Hook ONLY	Strainer	Snares		
											Left	Middle	Right
PHILHARMONIC SOLID MAPLE	PHM1450	14" x 5"	Solid Maple (7.5mm)	DC-1410 / DC-1410SG	SGR-1/2	TB-50	SM-414B	SST-5042	-	SR-500	S-067YT	S-064	S-068S
	PHM1465	14" x 6.5"	Solid Maple (7.5mm)	DC-1410 / DC-1410SG	SGR-1/2	TB-65	SM-414B	SST-5042	-	SR-500	S-065Y	S-064	S-068S
PHILHARMONIC PLY MAPLE	PHP1325	13" x 2.5"	8ply Maple (7.2mm)	SF-13 / SF-13SG	-	SPTL-10	SM-414B	SST-5042	DC-438	SR-018PC	S-1325	S-1325	S-1325
	PHP1340	13" x 4"	8ply Maple (7.2mm)	SF-13 / SF-13SG	SGR-3/2	TB-40	SM-414B	SST-5047	DC-438	SR-500	S-368SGT	S-352	S-368S
	PHP1440	14" x 4"	8ply Maple (7.2mm)	SF-14 / SF-14SG	SGR-1/2	TB-40	SM-414B	SST-5047	DC-438	SR-500	S-068SGT	S-052	S-068S
	PHP1450	14" x 5"	8ply Maple (7.2mm)	DC-1410 / DC-1410SG	SGR-1/2	TB-50	SM-414B	SST-5042	-	SR-500	S-067YT	S-064	S-068S
	PHP1465	14" x 6.5"	8ply Maple (7.2mm)	DC-1410 / DC-1410SG	SGR-1/2	TB-65	SM-414B	SST-5042	-	SR-500	S-065Y	S-064	S-068S
	PHF1412	14" x 12"	6ply Maple (7.5mm)	SH-1410B / SH-1410SG	SGR-1/2	TB-120	SM-414B	SST-5047	-	SR-500	S-065Y	S-068S	S-065Y
PHILHARMONIC AFRICAN MAHOGANY	PHX1450	14" x 5"	4ply African Maho.(5mm)	DC-1410 / DC-1410SG	SGR-1/2	TB-50	SM-411B	SST-5047	-	SR-500	S-067YT	S-052	S-068SGT
	PHX1465	14" x 6.5"	4ply African Maho.(5mm)	DC-1410 / DC-1410SG	SGR-1/2	TB-65	SM-411B	SST-5047	-	SR-500	S-067YT	S-052	S-068SGT
PHILHARMONIC CAST ALUMINUM	PHA1440	14" x 4"	3mm Cast Aluminum	SF-14 / SF-14SG	SGR-1/2	TB-40	SM-411C	SST-5047	DC-438	SR-500	S-068SGT	S-052	S-068S
	PHA1450	14" x 5"	3mm Cast Aluminum	DC-1410 / DC-1410SG	SGR-1/2	TB-50	SM-411C	SST-5042	-	SR-500	S-067YT	S-064	S-068S
	PHA1465	14" x 6.5"	3mm Cast Aluminum	DC-1410 / DC-1410SG	SGR-1/2	TB-65	SM-411C	SST-5042	-	SR-500	S-065Y	S-064	S-068S
	PHB1440	14" x 4"	1.5mm Brass	SF-14 / SF-14SG	SGR-1/2	TB-40	SM-411C	SST-5047	DC-438	SR-500	S-068SGT	S-052	S-068S
PHILHARMONIC BEADED BRASS	PHB1450	14" x 5"	1.5mm Beaded Brass	SF-14 / SF-14SG	SGR-1/2	TB-50	SM-411C	SST-5047	DC-438	SR-500	S-067YT	S-052	S-068S
	PHB1465	14" x 6.5"	1.5mm Beaded Brass	SF-14 / SF-14SG	SGR-1/2	TB-65	SM-411C	SST-5047	DC-438	SR-500	S-065Y	S-052	S-068S
	SYP1455	14" x 5.5"	6ply Maple (7.5mm)	DC-1410 / DC-1410SG	SGR-1/2	TB-55	SM-414B	SST-5042	-	SR-300	S-052	S-051	S-053
SYMPHONIC	SYP1465	14" x 6.5"	6ply Maple (7.5mm)	DC-1410 / DC-1410SG	SGR-1/2	TB-65	SM-414B	SST-5042	-	SR-300	S-052	S-051	S-053
	CRP1455	14" x 5.5"	6ply Maple (7.5mm)	SH-1410B / SH-1410SG	SGR-1/2	TB-55	SM-414B	T-061	-	SR-017		S-077	
CONCERT	CRP1465	14" x 6.5"	6ply Maple (7.5mm)	SH-1410B / SH-1410SG	SGR-1/2	TB-65	SM-414B	T-061	-	SR-017		S-077	

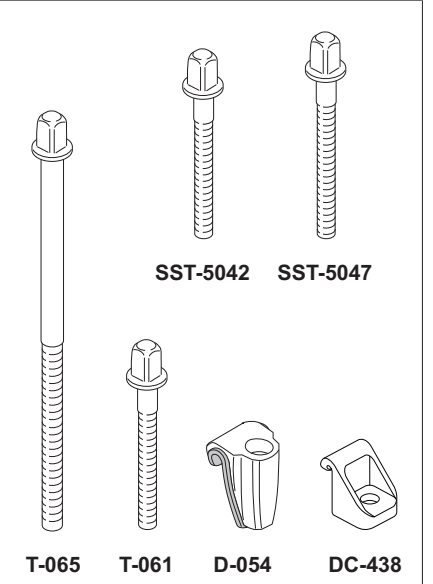
Hoops



Lugs

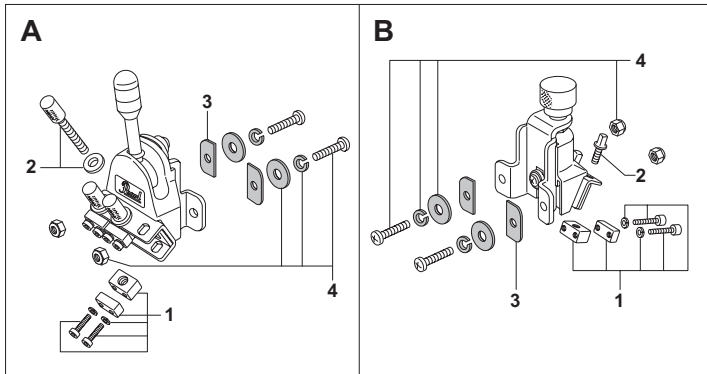


Bolts & Hook



SNARE DRUM PARTS

SR-500



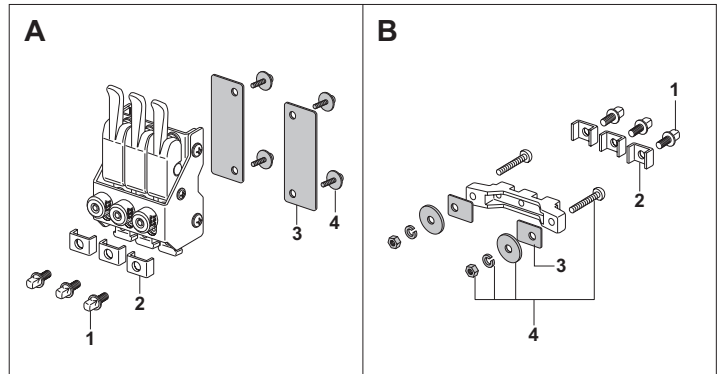
A SR-500A Release Side Assy. Complete

- 1 DC-534A Snare Cable Clamp Assy. Complete
- 2 ME-524A Tension Screw w/Washer
- 3 GA-74 Gasket (one each)
- 4 SC-214AN Screw w/Washers and Nut for 5"+ deep PHA Snare Drums (one set)
- SC-55LA Screw w/Washers and Nut for 5"+ deep PHM Snare Drums, 4" deep PHA Snare Drums (one set)
- SC-222LA Screw w/Washers and Nut for 4" deep PHM Snare Drums (one set)

B SR-500E Butt Side Assy. Complete

- 1 DC-534A Snare Cable Clamp Assy. Complete
- 2 KB-512 Key Bolt
- 3 GA-74 Gasket (one each)
- 4 SC-214AN Screw w/Washers and Nut for 5"+ deep PHA Snare Drums (one set)
- SC-55LA Screw w/Washers and Nut for 5"+ deep PHM Snare Drums, 4" deep PHA Snare Drums (one set)
- SC-222LA Screw w/Washers and Nut for 4" deep PHM Snare Drums (one set)

SR-300



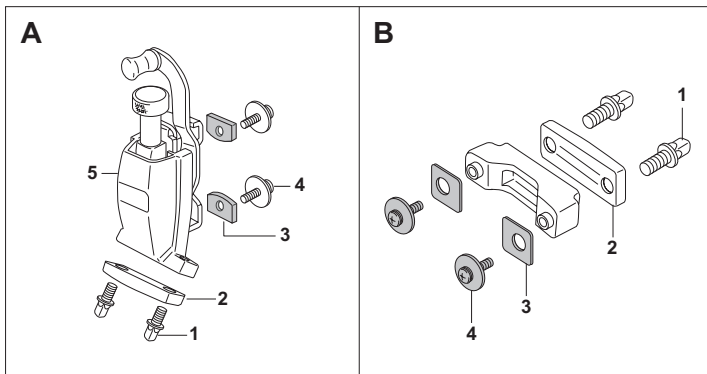
A SR-300A Release Side Assy. Complete

- 1 KB-508 Key Bolt (one each)
- 2 DC-463 Snare Mounting Plate (one each)
- 3 GA-53 Gasket (one each)
- 4 SM-414B Mounting Screw w/Washer (one set)

B SR-300E Butt Side Assy. Complete

- 1 KB-508 Key Bolt (one each)
- 2 DC-463 Snare Mounting Plate (one each)
- 3 GA-52 Gasket (one each)
- 4 SM-508-AC Screw w/Washers & Nut (one set)

SR-017



A SR-17A Release Side Assy. Complete

- 1 KB-510 Key Bolt (one each)
- 2 SR-12D Snare Mounting Plate
- 3 NP-249P Rubber Gasket (one each)
- 4 SM-513B Mounting Screw w/Washer for CRP Snare Drums (one set)
- SM-507 Mounting Screw w/Washer for CRB Snare Drums (one set)
- 5 DC-440 Strainer Cover

B SR-18E Butt Side Assy. Complete

- 1 KB-510 Key Bolt (one each)
- 2 SR-12D Snare Mounting Plate
- 3 NP-251P Rubber Gasket (one each)
- 4 SM-414B Mounting Screw w/Washer for CRP Snare Drums (one set)
- SM-411C Mounting Screw w/Washer for CRB Snare Drums (one set)

Snare Wires

Marching Snare Drums

Model#	Strands	Size	Material
GS-416AOT	16	14"	Synthetic Gut, One-Touch Release
GS-316AOT	16	13"	Synthetic Gut, One-Touch Release
GS-416A	16	14"	Synthetic Gut
GS-316A	16	13"	Synthetic Gut
GS-142	12	14"	Synthetic Gut
GS-132	12	13"	Synthetic Gut

Pipeband / Viscount Snare Drums

Model#	Strands	Size	Material
S-505TC-PRC	28	14"	Steel
S-505S-PRC	20	14"	Steel
S-022	20	14"	Steel

Philharmonic / Symphonic / Concert Snare Drums

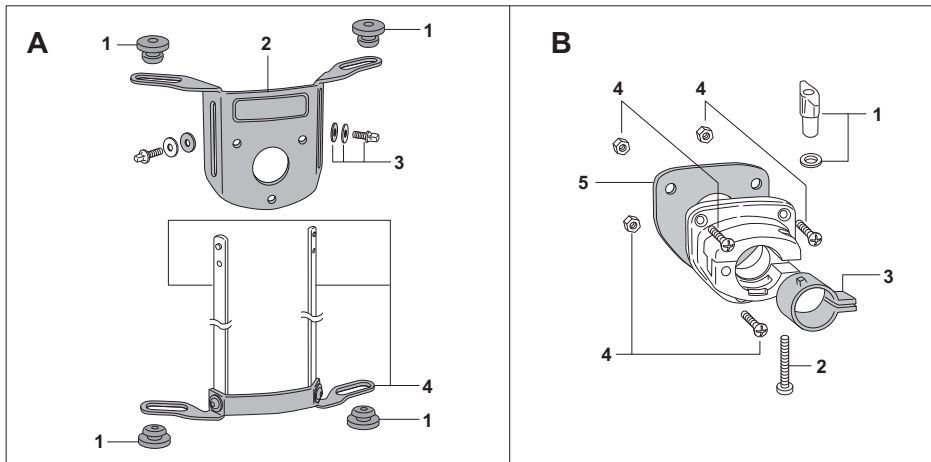
Model #	Size	Strands	Description	Cord/Clamp
S-051	14"	6	Steel Snappy Wire Snare	Cord (SNC32)
S-052	14"	6	Steel Wound Snare	Cord (SNC32)
S-053	14"	6	Blue Cable	Cord (SNC32)
S-064	14"	4	Steel Snappy Wire Snare	Cord (SNC32)
S-065Y	14"	5	Yellow Cable Heavy Gauge, Graduated Tension	Die-Cast Clamp (DC534/535)
S-067YT	14"	7	Yellow Cable Thin Gauge, Graduated Tension	Die-Cast Clamp (DC534/535)
S-068S	14"	8	Stainless Steel Cable, Even Tension	Die-Cast Clamp (DC534/535)
S-068SGT	14"	8	Stainless Steel Cable, Graduated Tension	Die-Cast Clamp (DC534/535)
C-1505GT	15"	5	Yellow Cable Heavy Gauge, Graduated Tension	Die-Cast Clamp (DC534/535)
C-1505SG	15"	5	Synthetic Gut	Die-Cast Clamp (DC534/535)
C-1605GT	16"	5	Yellow Cable Heavy Gauge, Graduated Tension	Die-Cast Clamp (DC534/535)
C-1605SG	16"	5	Synthetic Gut	Die-Cast Clamp (DC534/535)
S-168S	16"	8	Stainless Steel Cable, Even Tension	Die-Cast Clamp (DC534/535)
S-368SGT	13"	8	Stainless Steel Cable, Graduated Tension	Die-Cast Clamp (DC534/535)
S-352	13"	6	Steel Wound Snare	Die-Cast Clamp (DC534/535)
S-368S	13"	8	Stainless Steel Cable, Even Tension	Die-Cast Clamp (DC534/535)
S-077	14"	7+7	Yellow Cable Thin Gauge + Stainless Steel Cable	Die-Cast Clamp (DC560/561)
S-1325	PHP1325	5	Nickel Wound Cable, Graduated Tension	Die-Cast Clamp (DC534/535)

CONCERT TOM PARTS

CONCERT TOM SPEC

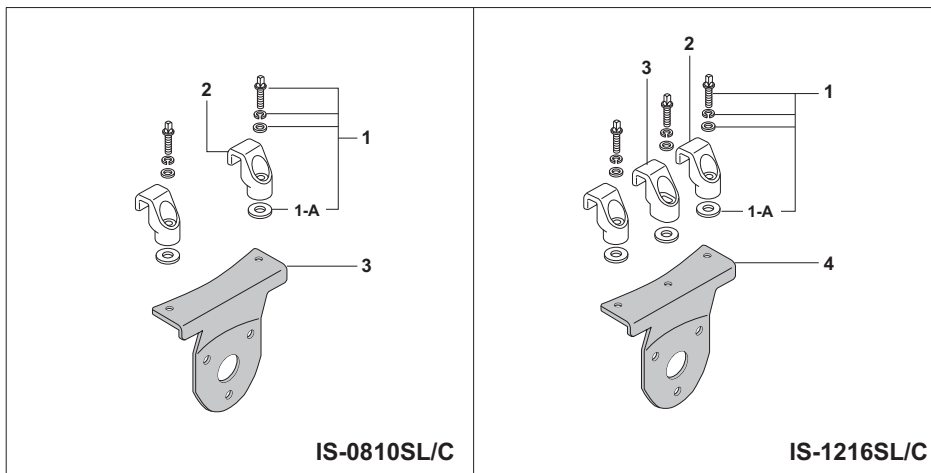
	Size	Lugs	Mounting Screws	Tension Rods	Hoop	Mounting System	
						Double Head	Single Head
Philharmonic Series Tom, Double Head	6"	CL-100	SM-414B	T-061L	SH-0604	BT-3	BT-3
	8"				SH-0805	OPT-0807	IS-0810SL/C
	10"				SH-1006	OPT-0910	
	12"				SH-1206		
	13"				SH-1306	OPT-1112	IS-1216SL/C
	14"				SH-1408		
	15"				SH-1508		
	16"				SH-1608	OPT-1314	
Symphonic Series Tom, Double Head	6"	CL-100	SM-414B	T-061L	SH-0604	BT-3	BT-3
	8"				SH-0805	OPT-0807	IS-0810SL/C
	10"				SH-1006	OPT-0910	
	12"				SH-1206		
	13"				SH-1306	OPT-1112	IS-1216SL/C
	14"				SH-1408		
	15"				SH-1508		
	16"				SH-1608	OPT-1314	
Concert Series Tom, Single Head	6"	NCL-100	SM-414B	T-061L	RIM-0604	BT-3	---
	8"				RIM-0805		
	10"				RIM-1006		
	12"				RIM-1206		
	13"				RIM-1306		
	14"				RIM-1408		
	15"				RIM-1508		
	16"				RIM-1608		

Optimount Suspension System



- A**
- OPT-78 Optimount w/o BT-3 (for OPT-0708)
 - OPT-91 Optimount w/o BT-3 (for OPT-0910)
 - OPT-112 Optimount w/o BT-3 (for OPT-1112)
 - OPT-134 Optimount w/o BT-3 (for OPT-1314)
 - OPT-156 Optimount w/o BT-3 (for OPT-1516)
- 1 NP-265 Mounting Rubber (one each)
 2 PR-528 Bracket Mounting Plate ONLY
 3 KB-615WB Key Bolt w/Washers (one set)
 4 PR-529A Lower Mounting Plate Assy. *(for OPT-0708)
 PR-530A Lower Mounting Plate Assy. *(for OPT-0910)
 PR-531A Lower Mounting Plate Assy. *(for OPT-1112)
 PR-532A Lower Mounting Plate Assy. *(for OPT-1314)
 PR-537A Lower Mounting Plate Assy. *(for OPT-1516)
 (one set)
- * (Includes Lower Mounting Plate and 1pr. connecting struts ONLY)
- B**
- BT-3-OPT Mounting Bracket
 - 1 UGN-6 Die-Cast Wing Nut w/Washer
 - 2 SC-68 Clamp Bolt
 - 3 NP-65 Nylon Bushing
 - 4 IS-MS Mounting Screw & Nut (one set)
 - 5 NP-260P Gasket

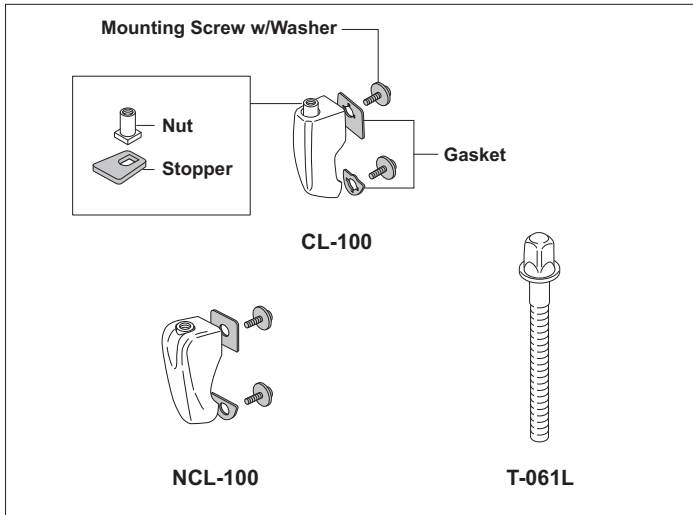
Integrated Suspension System (I.S.S.)



- 2.3mm Super Hoop**
- A IS-0810SL/C I.S.S. for 8"-10"**
- 1 KB-625WN Key Bolt w/Washers (one set)
 - 1-A WS-5A Washer ONLY (one each)
 - 2 DC-385 Rim Hook (one each)
 - 3 PR-347N Bracket Mounting Plate
- A IS-1216SL/C I.S.S. for 12"-16"**
- 1 KB-625WN Key Bolt w/Washers (one set)
 - 1-A WS-5A Washer ONLY (one each)
 - 2 DC-385 Rim Hook Outside (one each)
 - 3 DC-386 Rim Hook Middle
 - 4 PR-346 Bracket Mounting Plate
-
- 1.6mm Regular Hoop**
- A IS-0810N/C I.S.S. for 8"-10"**
- 1 KB-625WN Key Bolt w/Washers (one set)
 - 2 DC-472 Rim Hook (one each)
 - 3 PR-347N Bracket Mounting Plate
- A IS-1216N/C I.S.S. for 12"-16"**
- 1 KB-625WN Key Bolt w/Washers (one set)
 - 2 DC-472 Rim Hook (one each)
 - 3 PR-346N Bracket Mounting Plate

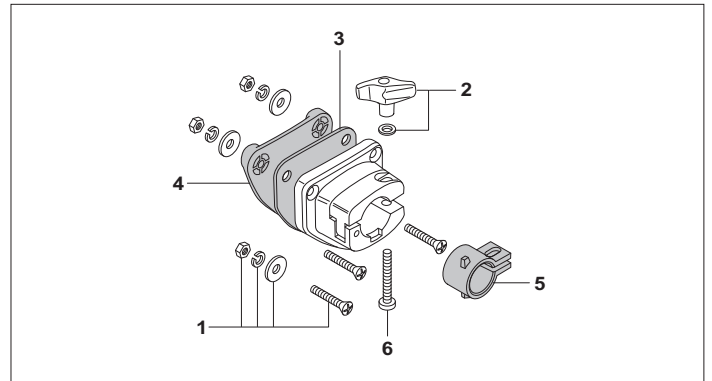
CONCERT TOM PARTS

Lug & Tension Bolt



Number	Nut	Stopper	Gasket	Screw
CL-100	DC-6US	NP-135N	NP-240P (Large) NP-241P (Small)	SM-414B
NCL-100	DC-6FE	NP-135N	NP-398P (Large) NP-399P (Small)	SM-414B

BT-3



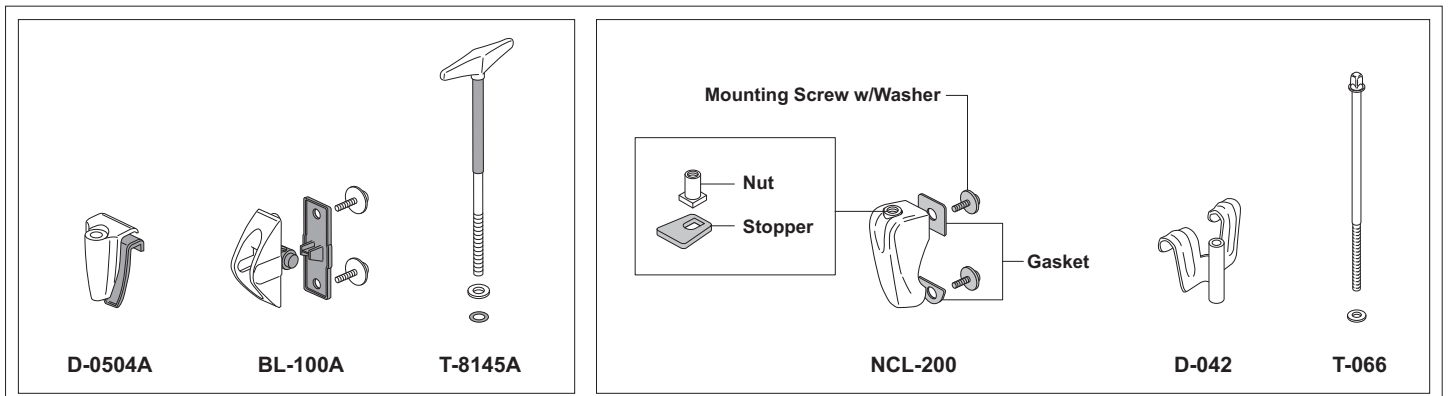
- 1 T-MS Mounting Screw, Washers & Nut (one set)
- 2 UGN-6 Die-Cast Wing Nut w/Washer
- 3 NP-260P Gasket
- 4 NP-186 Set Plate
- 5 NP-65 Nylon Bushing
- 6 SC-68 Clamp Bolt

CONCERT BASS DRUM PARTS

CONCERT BASS DRUM SPEC

Model	Lugs	Mounting Screws	TensionRods	Hook
Philharmonic Series BD	BL-100A	SC-187R	T-8145A	D-0504A
Symphonic Series BD	BL-100A	SC-187R	T-8145A	D-0504A
Concert Series BD	NCL-200	SM-414B	T-066	D-042

Lug & Tension Bolts



Number	Nut	Stopper	Gasket	Screw
NCL-200	DC-5FE	NP-225	NP-396P (Large) NP-397P (Small)	SM-414B

CONCERT BASS DRUM HOOPS

	28" Bass Drum Hoop	30" Bass Drum Hoop	32" Bass Drum Hoop	36" Bass Drum Hoop
Philharmonic Series	RIM-28PB #210	RIM-30PB #210	RIM-32PB #210	RIM-36PB #210
Symphonic Series	RIM-28PB #210	RIM-28PB #210	RIM-28PB #210	RIM-28PB #210
Concert Series	RIM-28PBJ	RIM-30PBJ	RIM-32PBJ	RIM-36PBJ