

Keep your reeds in perfect working order all the time.

Once removed from their protective flow-pack and throughout their use, your reeds must be maintained in conditions humid enough to prevent any deformation in shape yet sufficiently aired to avoid any deterioration due to dampness. Either factor can compromise their well-being and performance.

Reeds have to be able to breathe without drying out. This is why VANDOREN has developed a new reed case based on a simple principle, **regulated humidification by air circulation.**

Two models of reed case. See the assembly diagram.

Your reed case exists in two versions, each holding 6 reeds. The only difference between the two models lies in the grid and the pressure-clip (7-1 and 7-2 in the diagram).

Bb/ALTO model: for Bb, German, Eb, alto clarinet reeds and for soprano and alto saxophone reeds.

TENOR/BARITONE model: for bass clarinet reeds and for tenor and baritone saxophone reeds.

How to use the new VANDOREN reed case

Place your reeds in the reed case then use them as usual and control regularly the color of the indicator disc (item 4) which must remain pink. If it becomes blue, and in this case only, it is advisable to wet the sponge. To do this, take the sponge (6) out of its sponge-holder support (3). Lightly squeeze it with your fingers to expel any air and then immerse it in a glass of clean water. Release and leave to soak in the water for a few seconds before taking it out and wringing it carefully. Put the sponge back in its support without putting the control disc (4) in contact with water.

How this works. See basic diagram.

When reeds are played daily, the amount of moisture contained in each of them is usually enough to keep the disc pink (hygrometry > 40%). But when you don't play much, or when the weather is dry, the disc may become blue and it is necessary to moisten the sponge. The water contained in the sponge evaporates slowly and moistens gently reeds placed in the case preserving their geometry. In the meantime, vent holes, ideally placed and of optimized dimensions, provide continuous ventilation that allows to evacuate the overflow of humidity responsible of mold growth. The grid (reference 7-1) is grooved and perforated on the surface and sides for better efficiency.

Warning: your reed case works on the principle of regulation by air circulation. To allow it to «breathe», we strongly discourage you to lock it in a tight container (bag, box, case ...).

Humidity indicator disc

Never put the humidity indicator disc in direct contact with water or it may lose its effectiveness. In the case of any accidental deterioration, replacement discs can be purchased from your Vandoren dealer. To access the disc, unclip its see-through cap (5).

Special requirement for high humidity climates

When the ambient hygrometry regularly exceeds 80%, we advise you to soak the sponge with denatured alcohol with a less than 70% vol. concentration. As a matter of fact, the evaporation of the alcohol contained in the sponge will decrease the humidity level inside the reed case.

Cleaning

The grid (7-1) and the pressure-clip (7-2) are composed

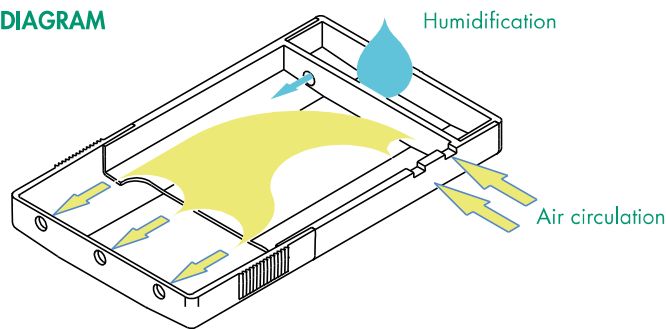
of a material designed to hinder the development of microorganisms. We recommend regular cleaning of these two pieces. This will further minimize the risk of any deterioration due to dampness. To do so, take the grid from the outer casing and gently remove the pressure-clips. Use water and dish soap, and dry everything completely before re-assembling.

The sponge (item 6) is made of polyurethane foam. To clean it, we recommend you to use clean water and soap, except any household product, including chlorine, which could damage it.

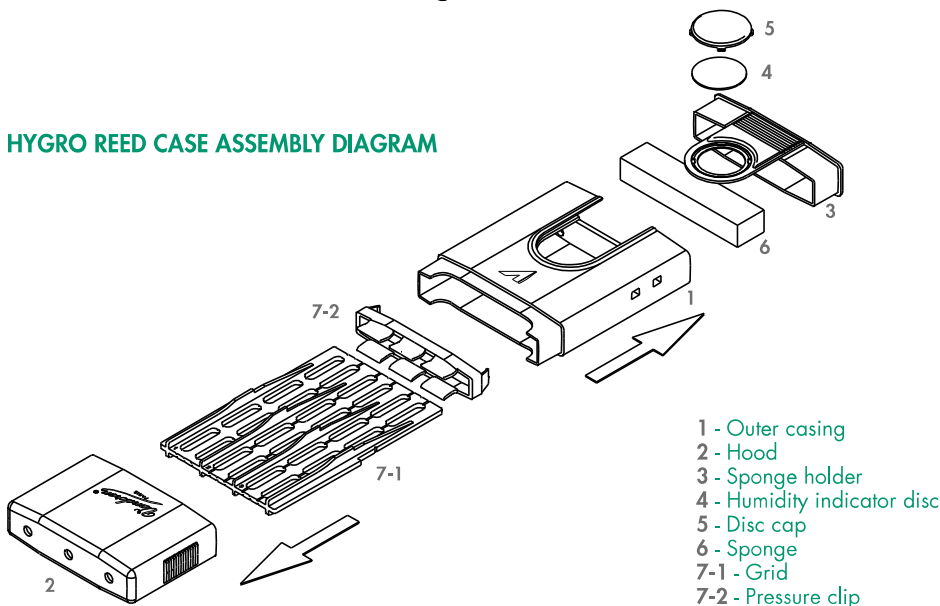
Warning: do not let young children play with the sponge. Choking hazard.

This 6 reed-case Vandoren works naturally without chemical device and without time limit.

REED-CASE FUNCTION DIAGRAM



HYGRO REED CASE ASSEMBLY DIAGRAM



- 1 - Outer casing
- 2 - Hood
- 3 - Sponge holder
- 4 - Humidity indicator disc
- 5 - Disc cap
- 6 - Sponge
- 7-1 - Grid
- 7-2 - Pressure clip